

FIG. 1

FIG. 1

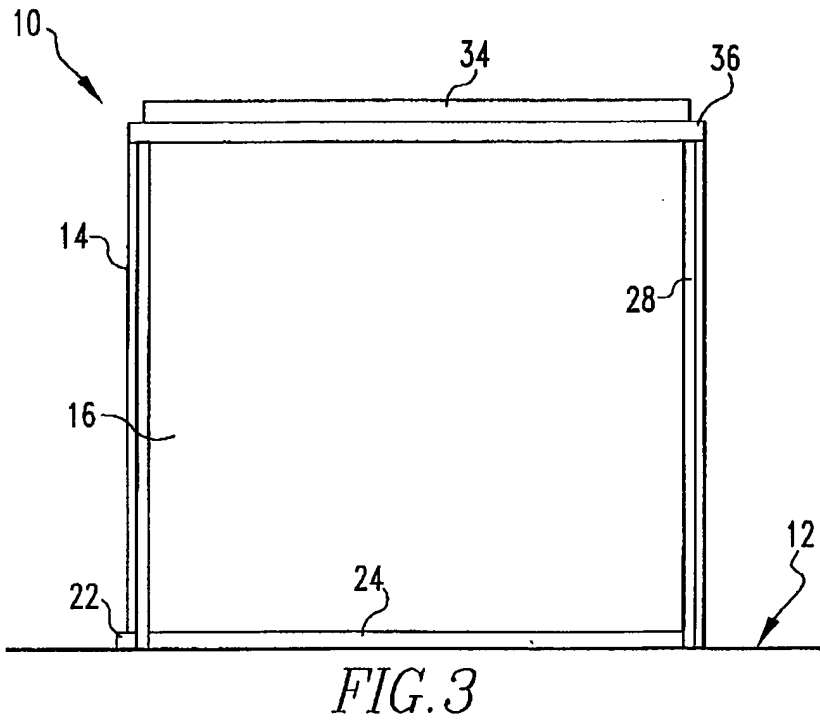
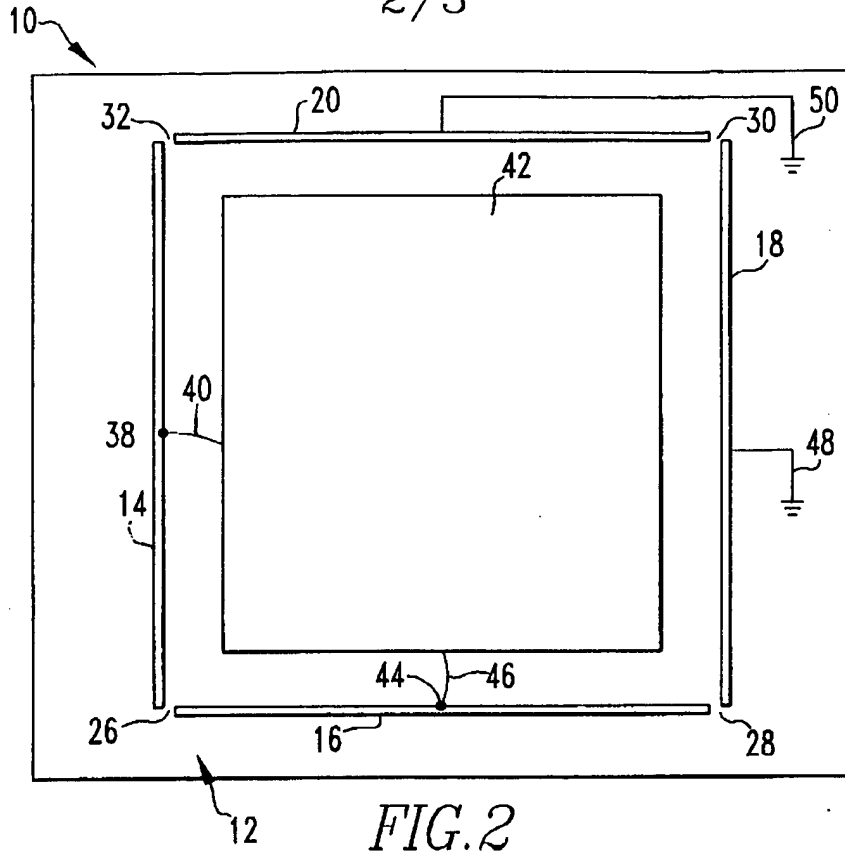


FIG. 2

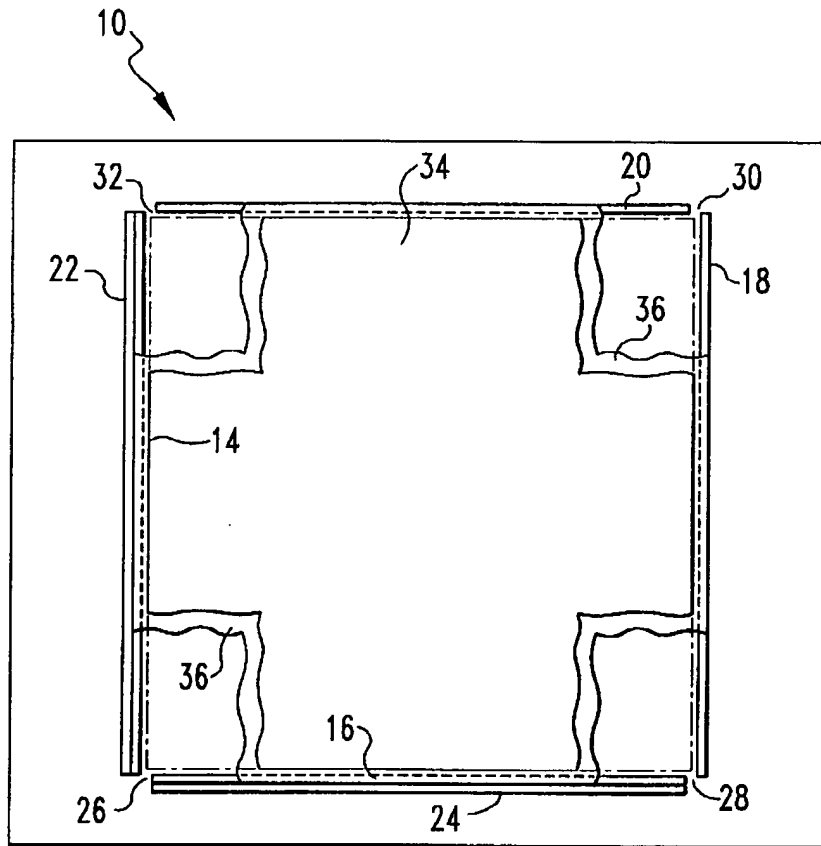


FIG. 4

Patented by the U.S. Patent and Trademark Office