

1/3

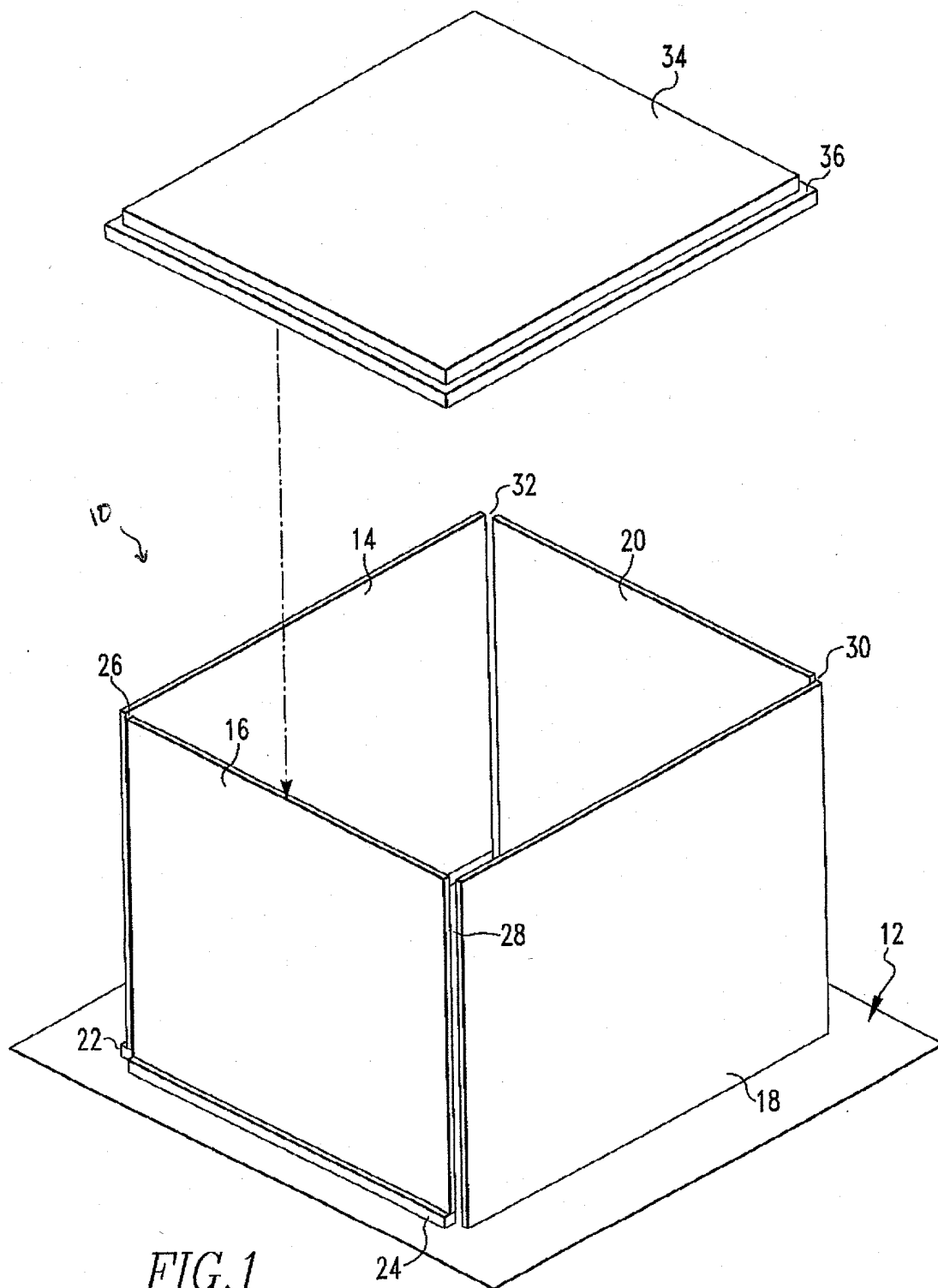


FIG. 1

Patent Office

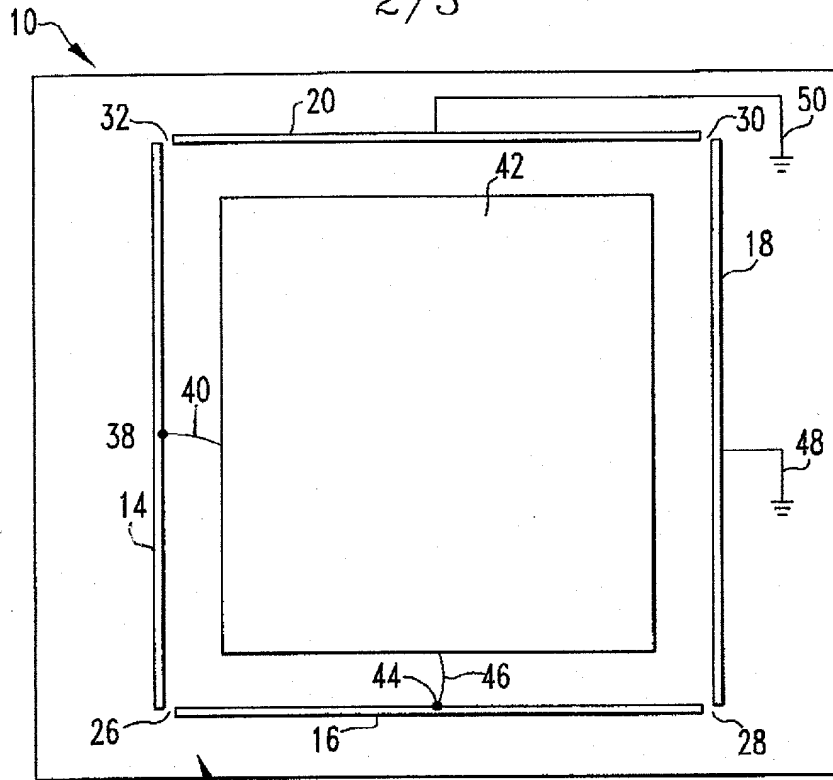


FIG. 2

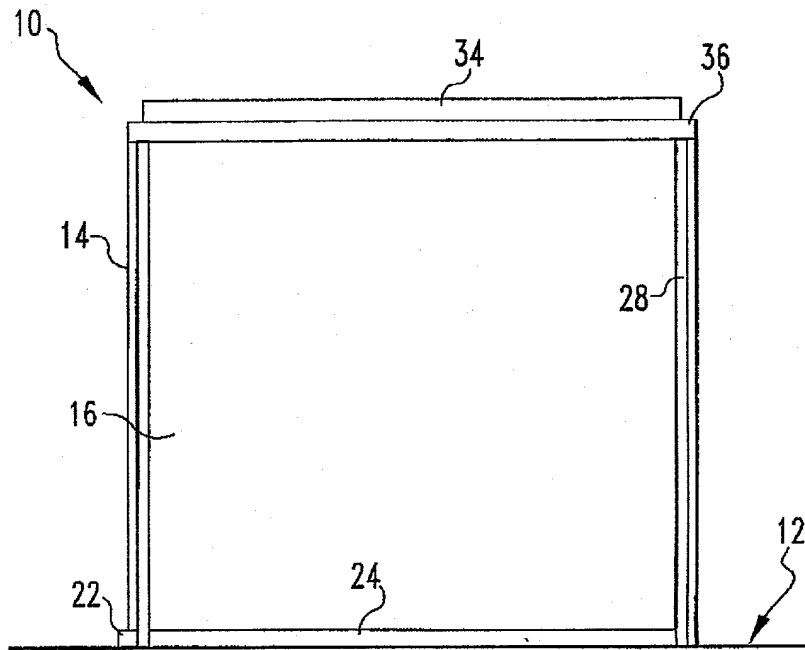


FIG. 3

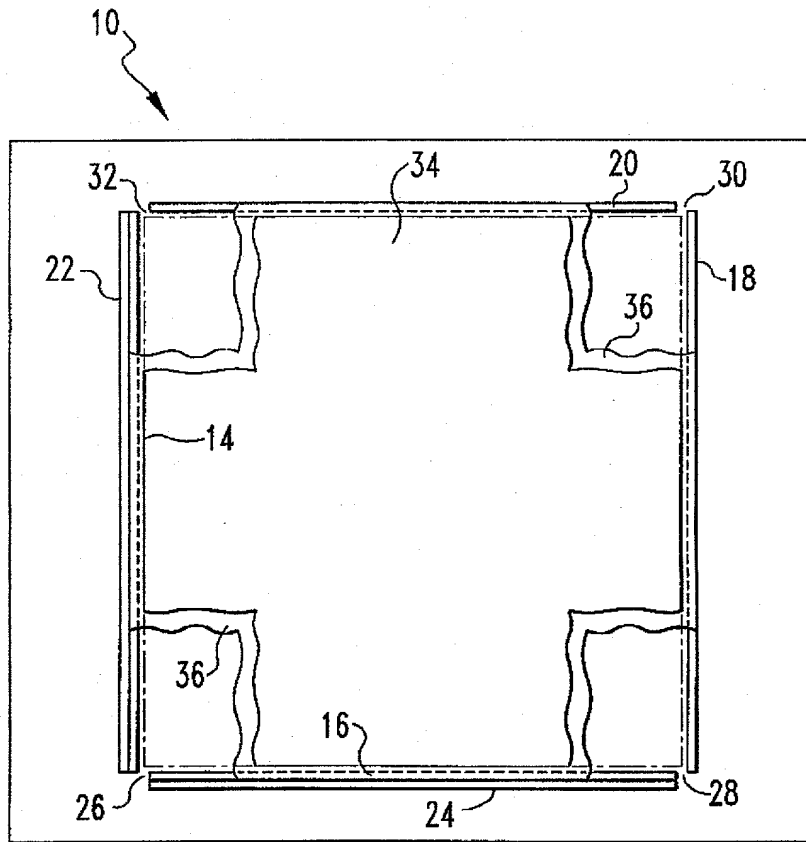


FIG. 4

Patent Office of the United States