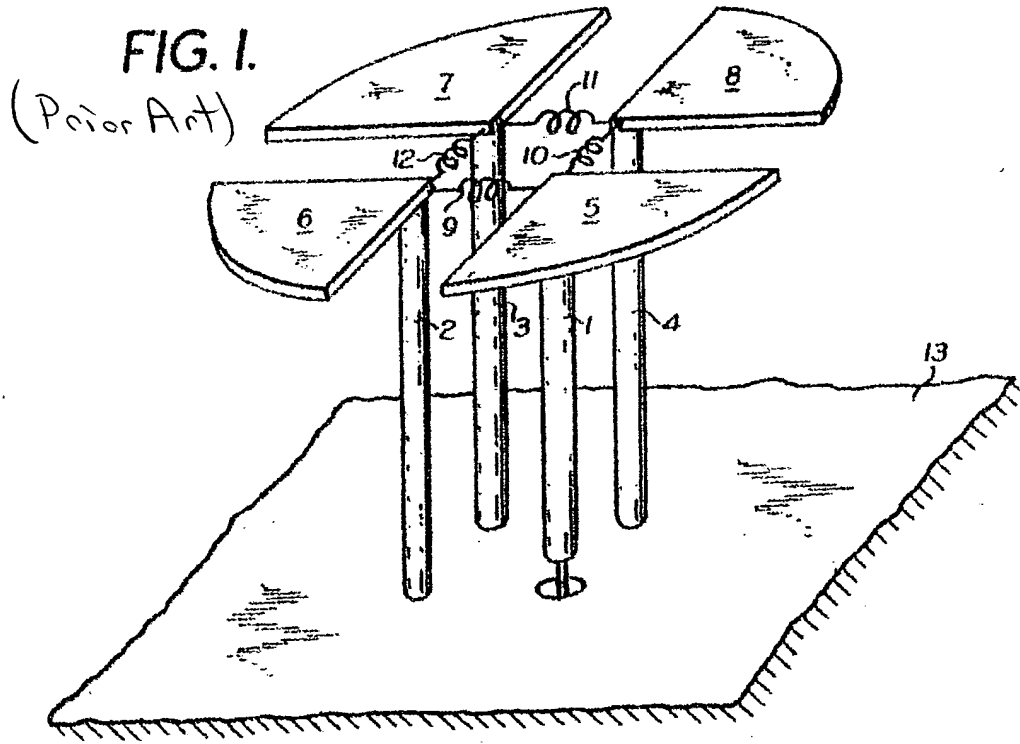


REPLACEMENT SHEET



REPLACEMENT SHEET

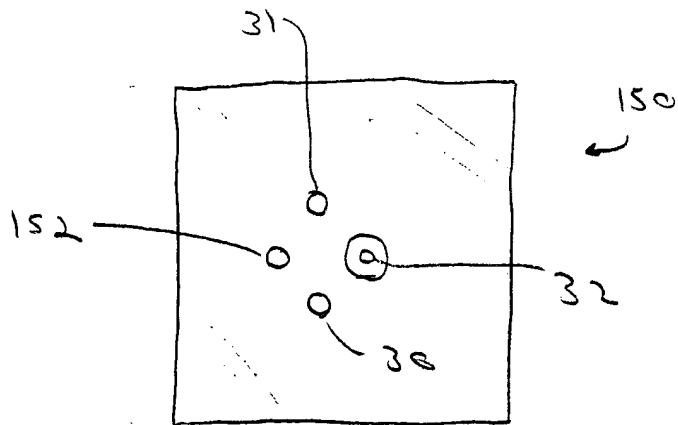


Figure 12

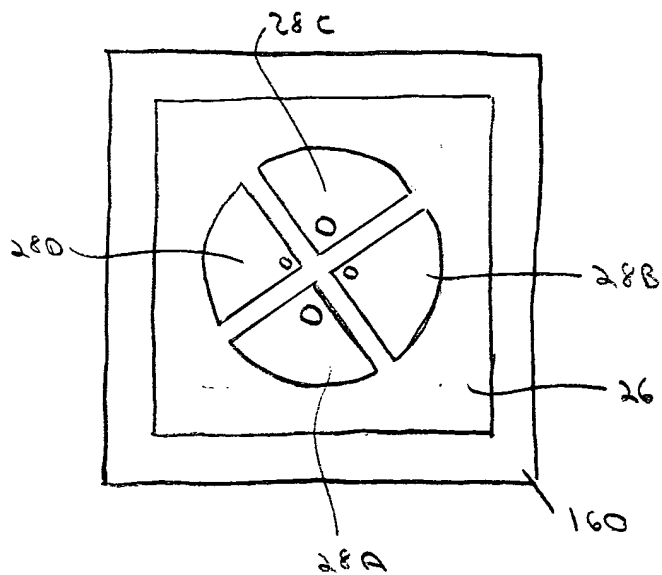


Figure 13