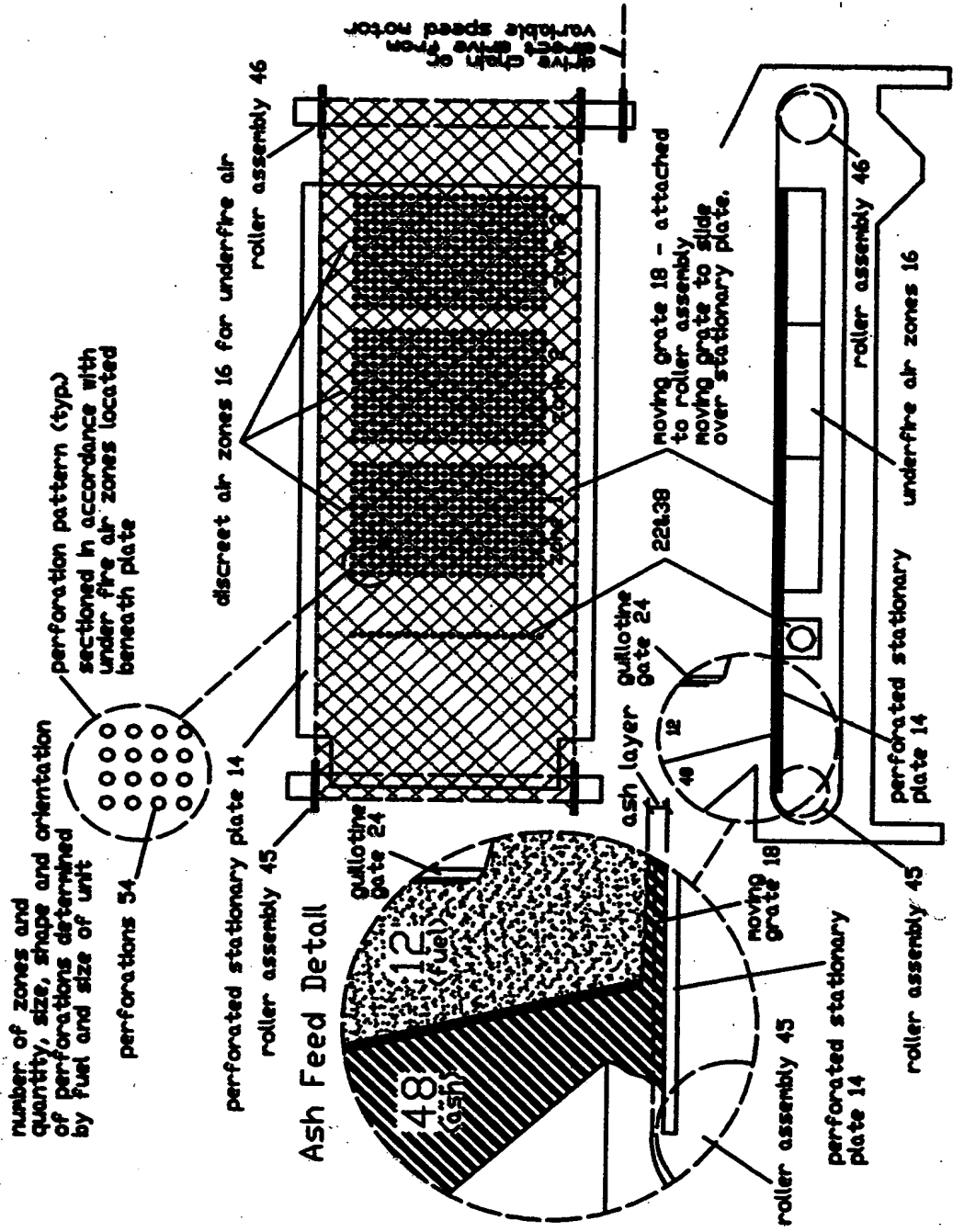


FIG. 1



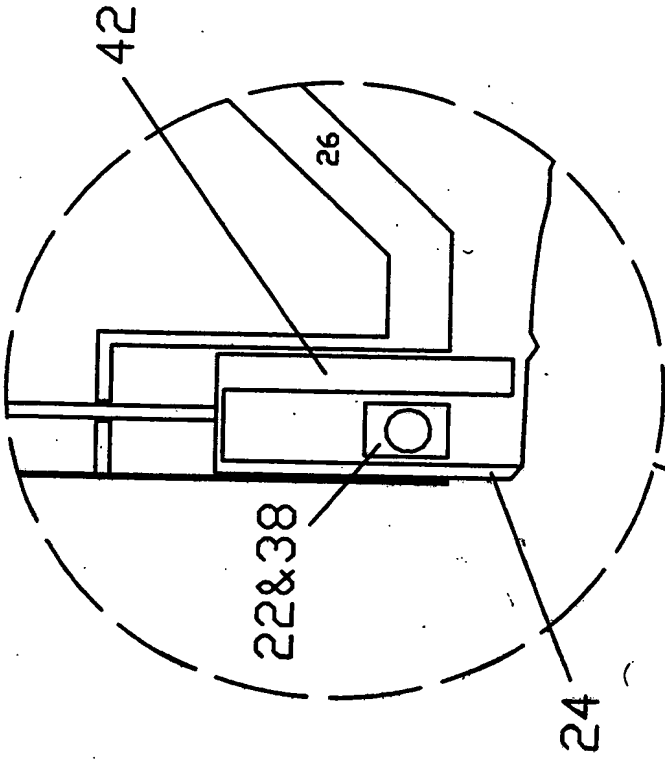
number of zones and quantity, size, shape and orientation of perforations determined by fuel and size of unit

perforations 54

perforation pattern (typ.) sectioned in accordance with under fire air zones located beneath plate

Fig. 2

Guillotine Gate Detail



Throat Assembly Detail

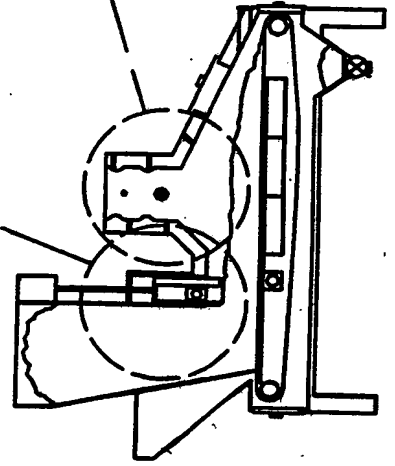
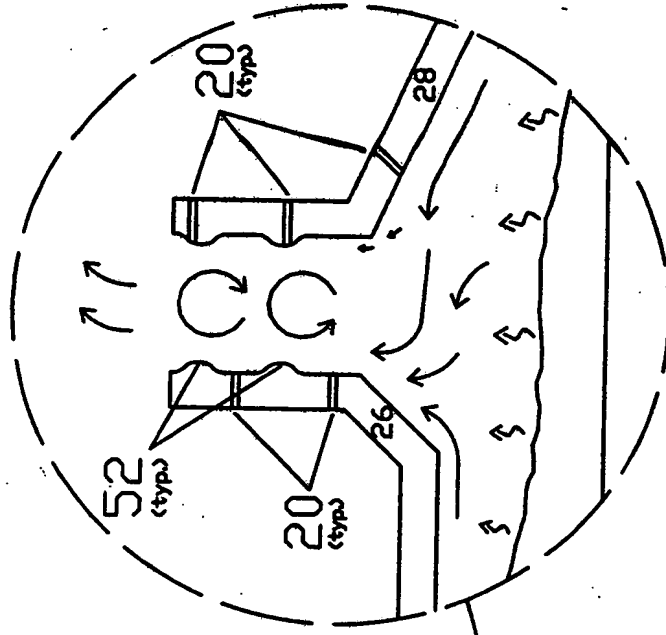


FIG. 3