




POWER OPERATED GEAR CHANGE ASSEMBLY FOR BICYCLE

Publication number: JP7047987
Publication date: 1995-02-21
Inventor: ANTONIO ROMANO
Applicant: CAMPAGNOLO SPA
Classification:
- **international:** **B62M25/08; B62M25/00;** (IPC1-7): B62M25/08
- **European:** B62M25/08
Application number: JP19940157098 19940708
Priority number(s): IT1993TO00503 19930708

Also published as:

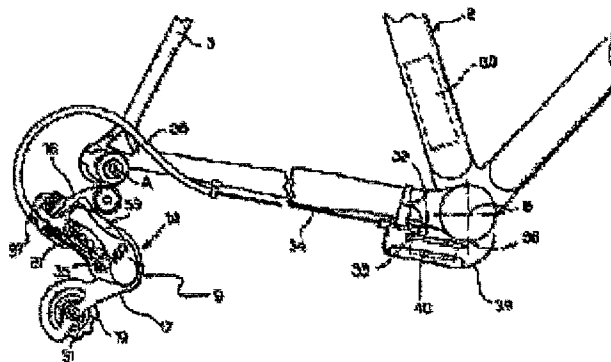
 US5470277 (A1)
 FR2708559 (A1)
 DE4422845 (A1)

[Report a data error here](#)

Abstract of JP7047987

PURPOSE: To provide a power operated gear change assembly for a bicycle reduced in weight and size and easily manufacturable and assembleable using an economical method.

CONSTITUTION: This assembly includes a gear change 9 whose derailleur 14 is displaced by a geared motor 27 and a power accumulator 30 which are operated through a manual control means, a detection means 32 for detecting the displacement of the derailleur 14, and a control means 40 for controlling operation of the geared motor 27. The geared motor 27 is directly fitted on the derailleur 14 and the detection means includes a transducer 32 located remotely from the derailleur 14 and connected to the gear change 9 via a transmission 34.



Data supplied from the **esp@cenet** database - Worldwide