

FIG. 1

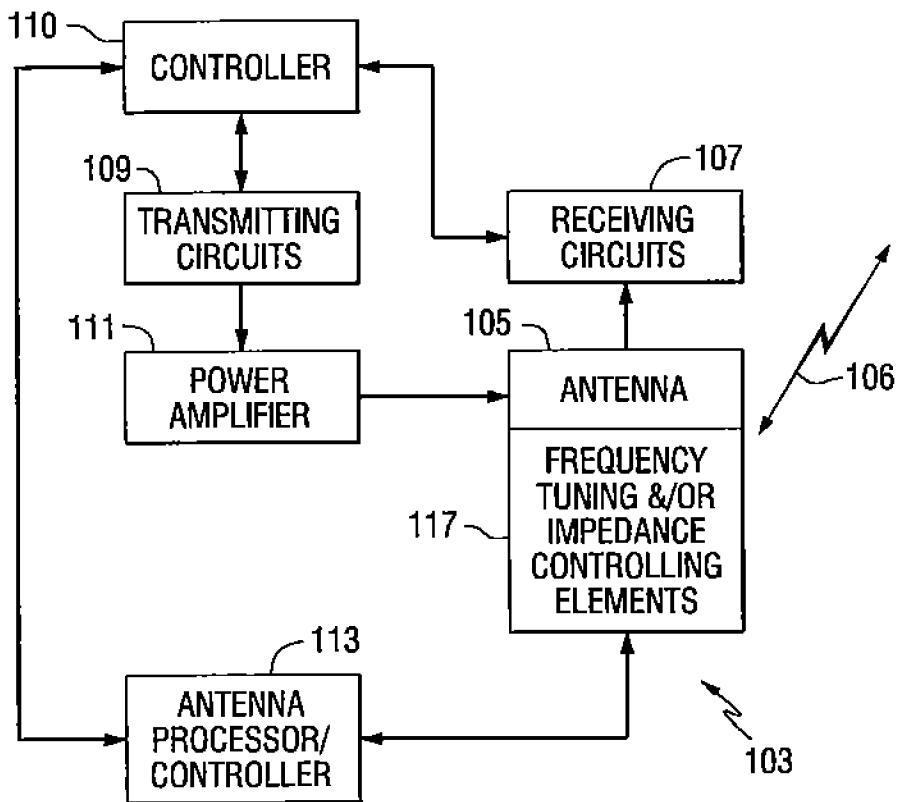
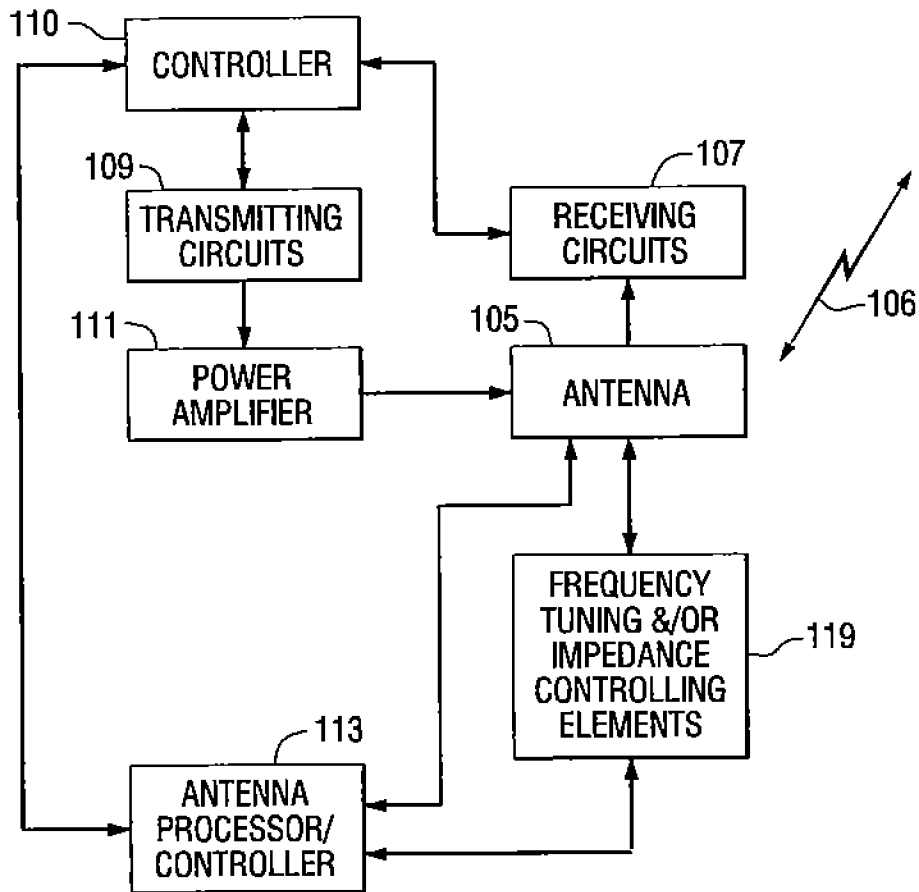
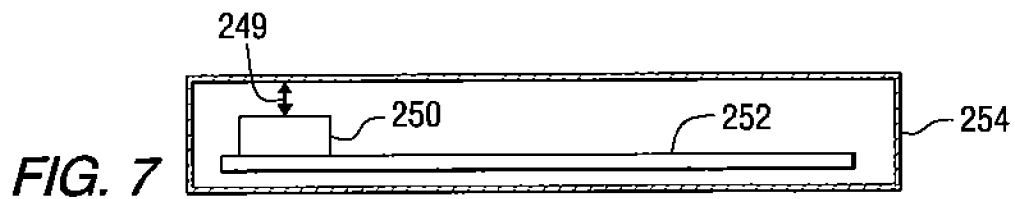
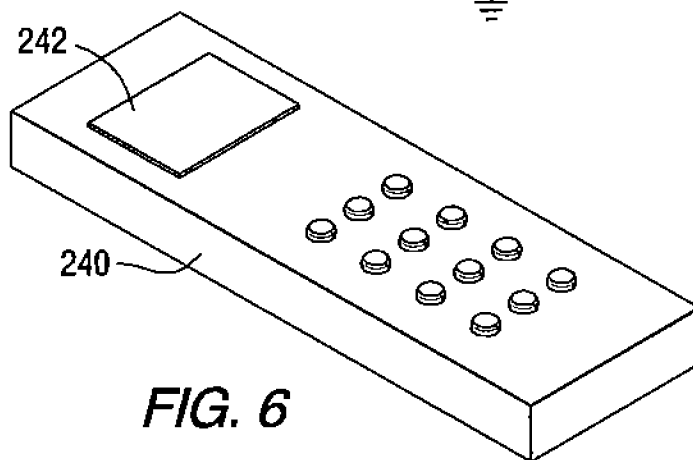
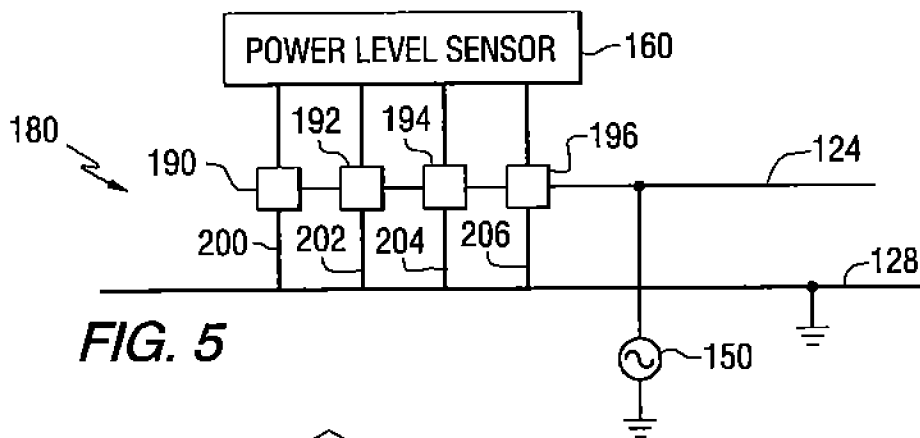
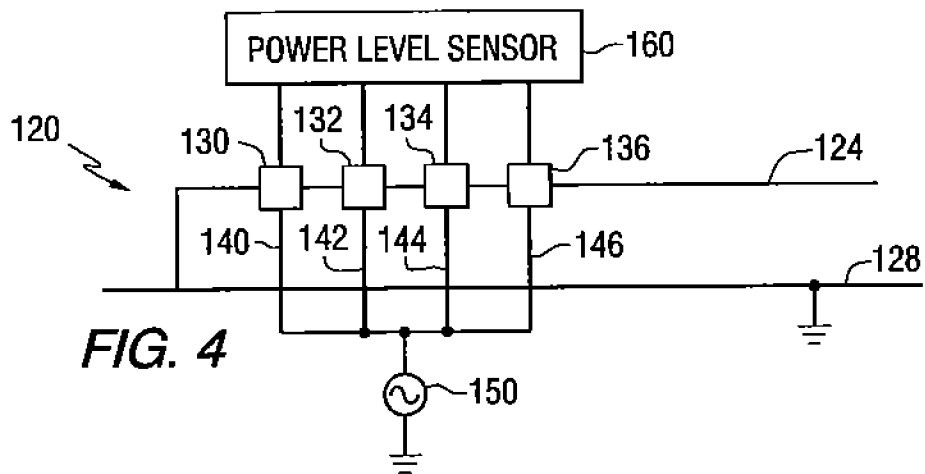
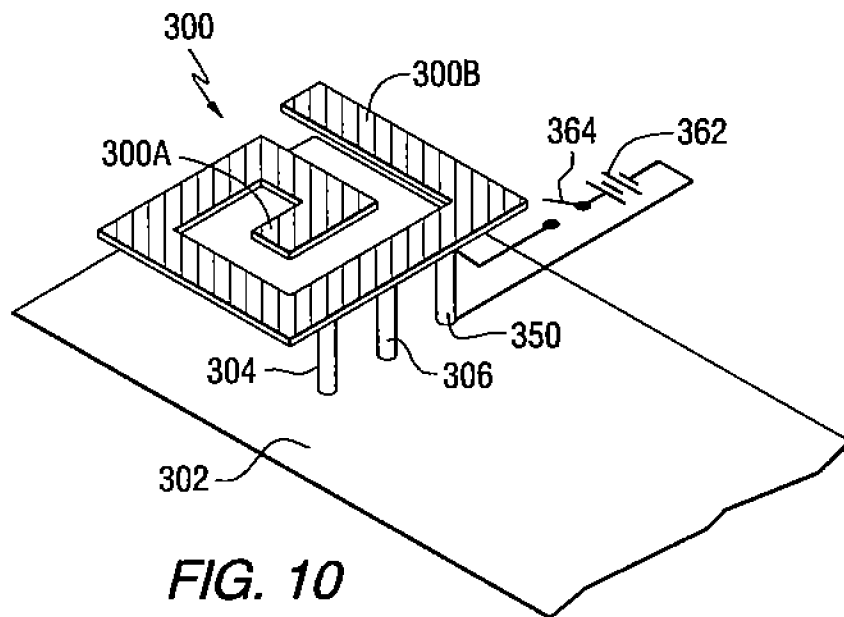
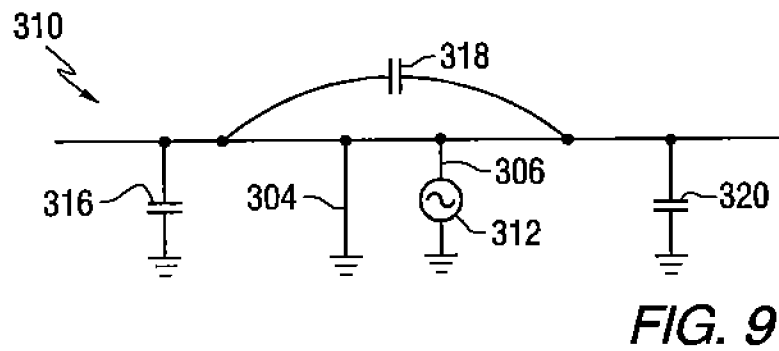
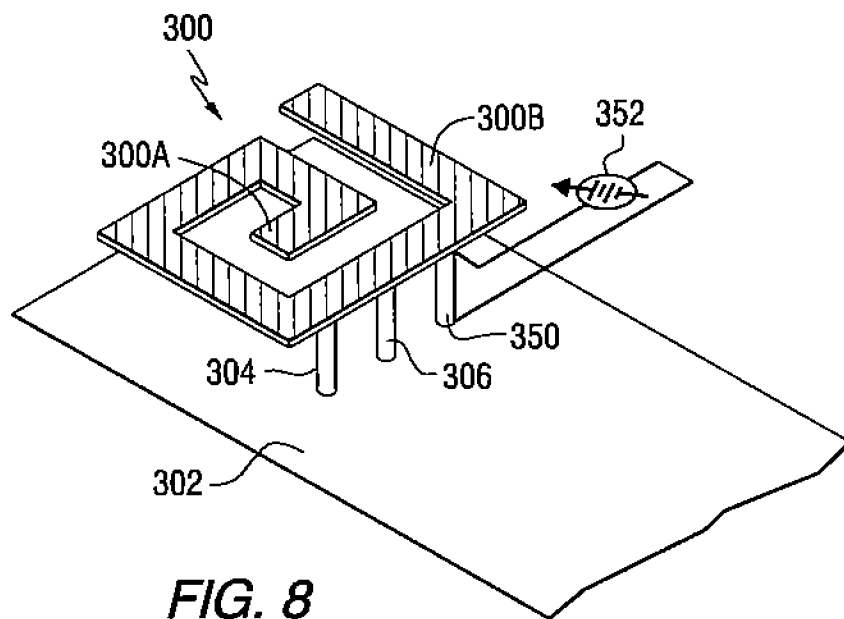


FIG. 2



**FIG. 3**





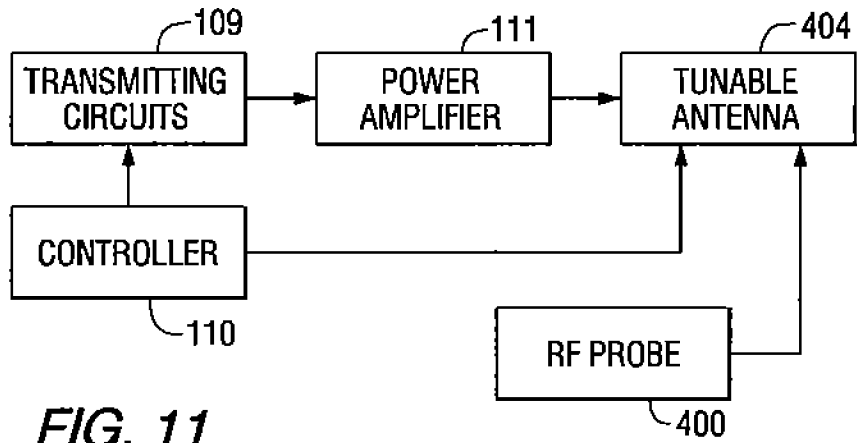


FIG. 11

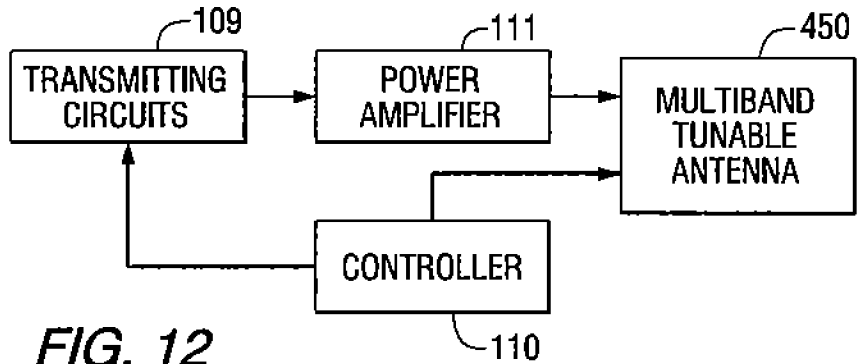


FIG. 12

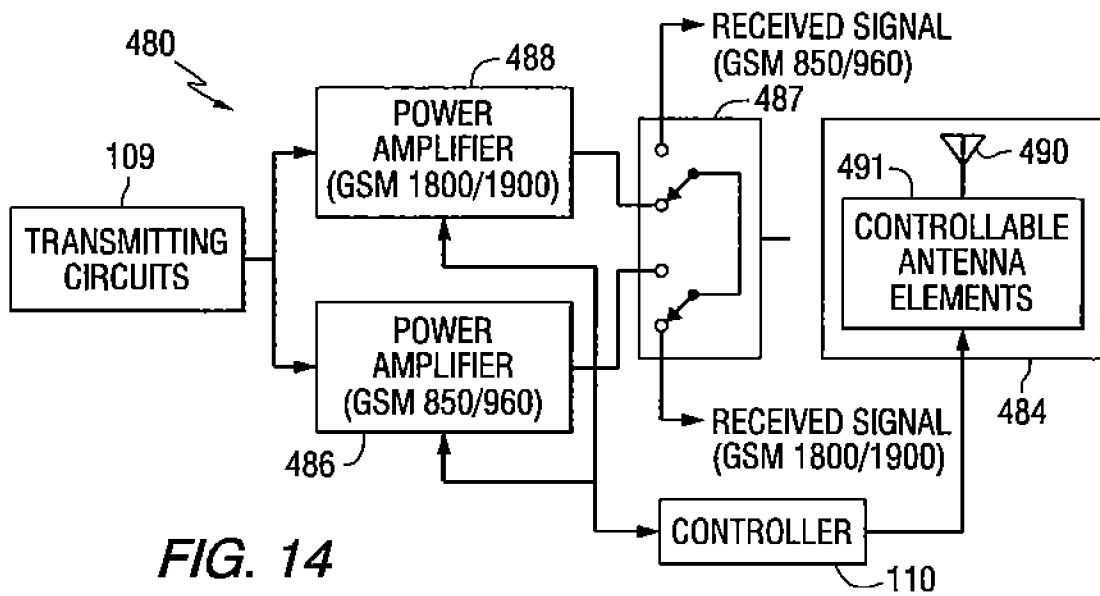


FIG. 14

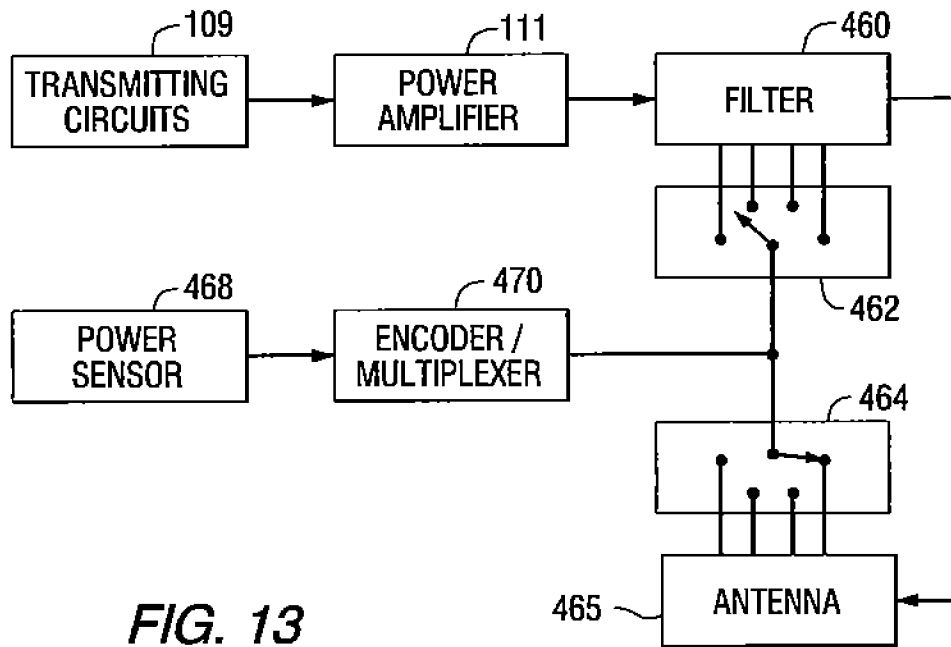


FIG. 13

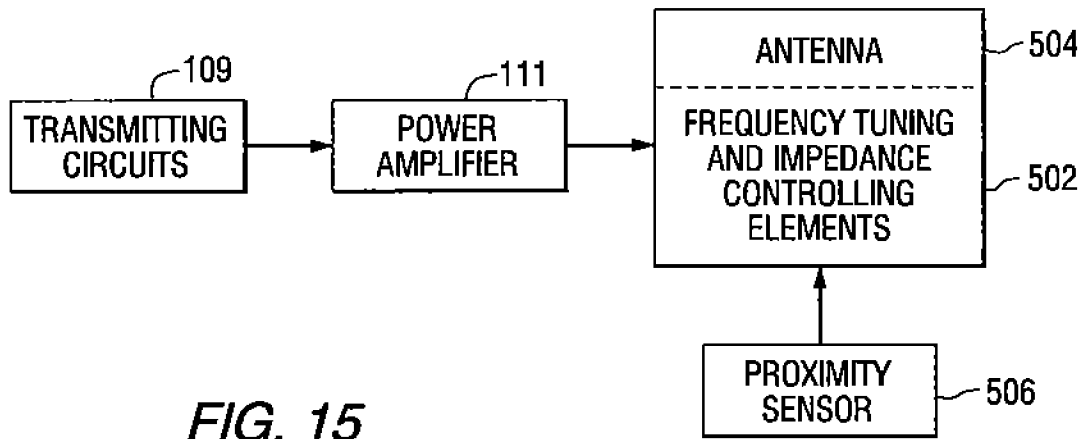


FIG. 15

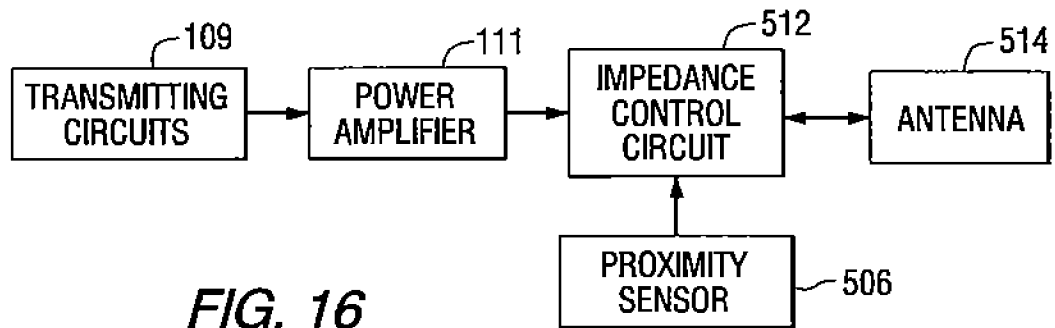


FIG. 16

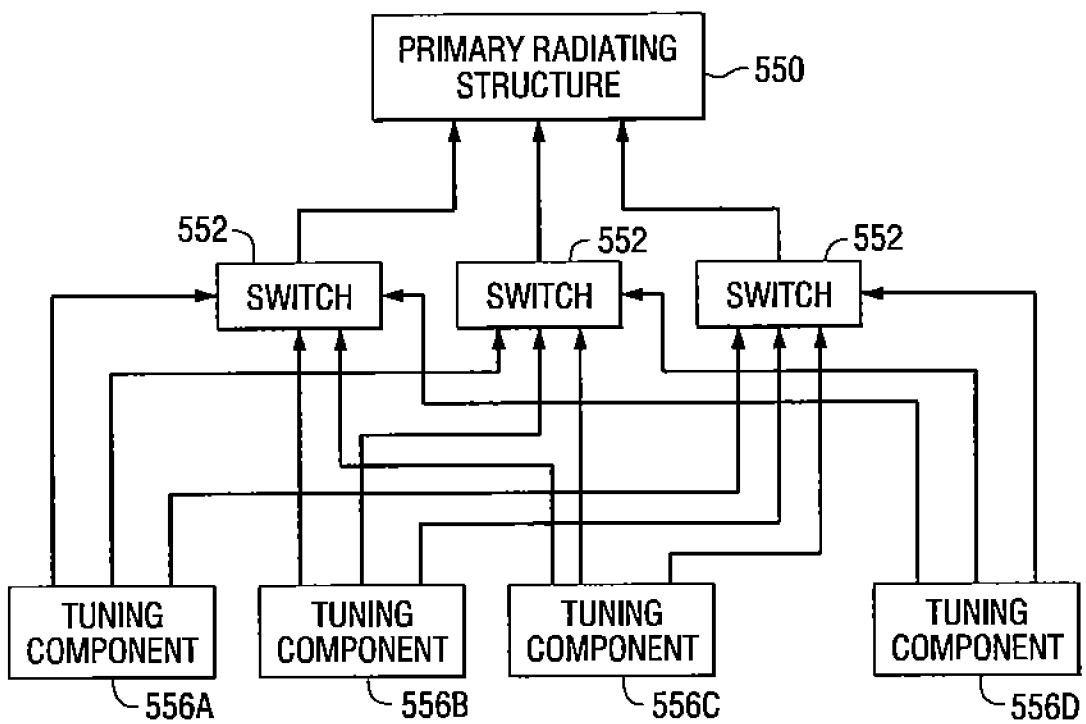


FIG. 17

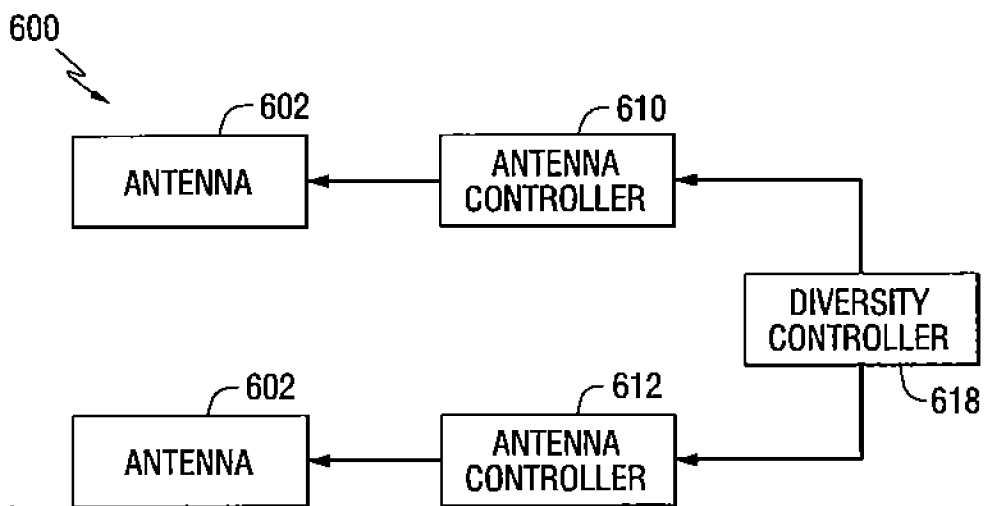
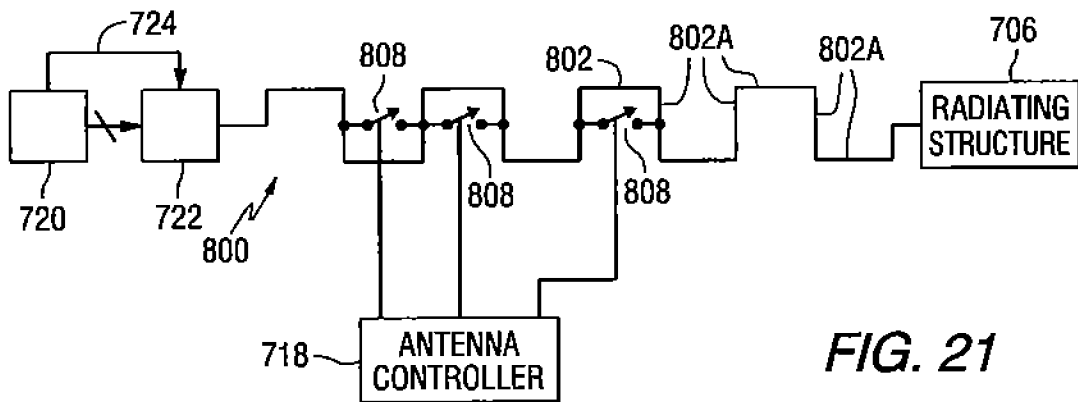
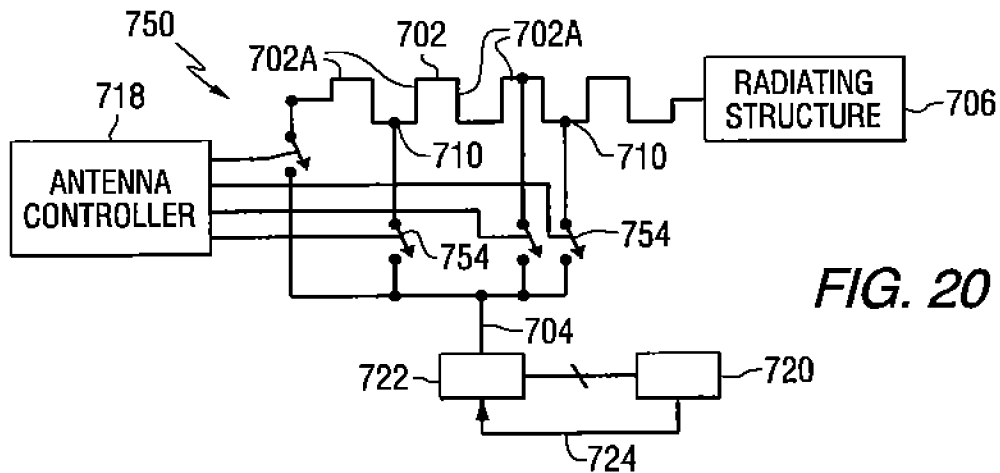
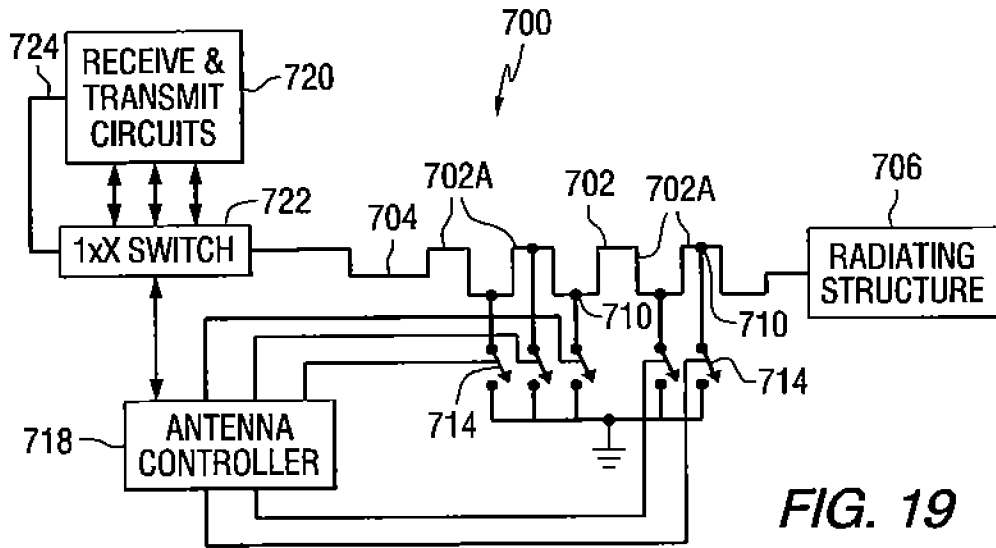


FIG. 18





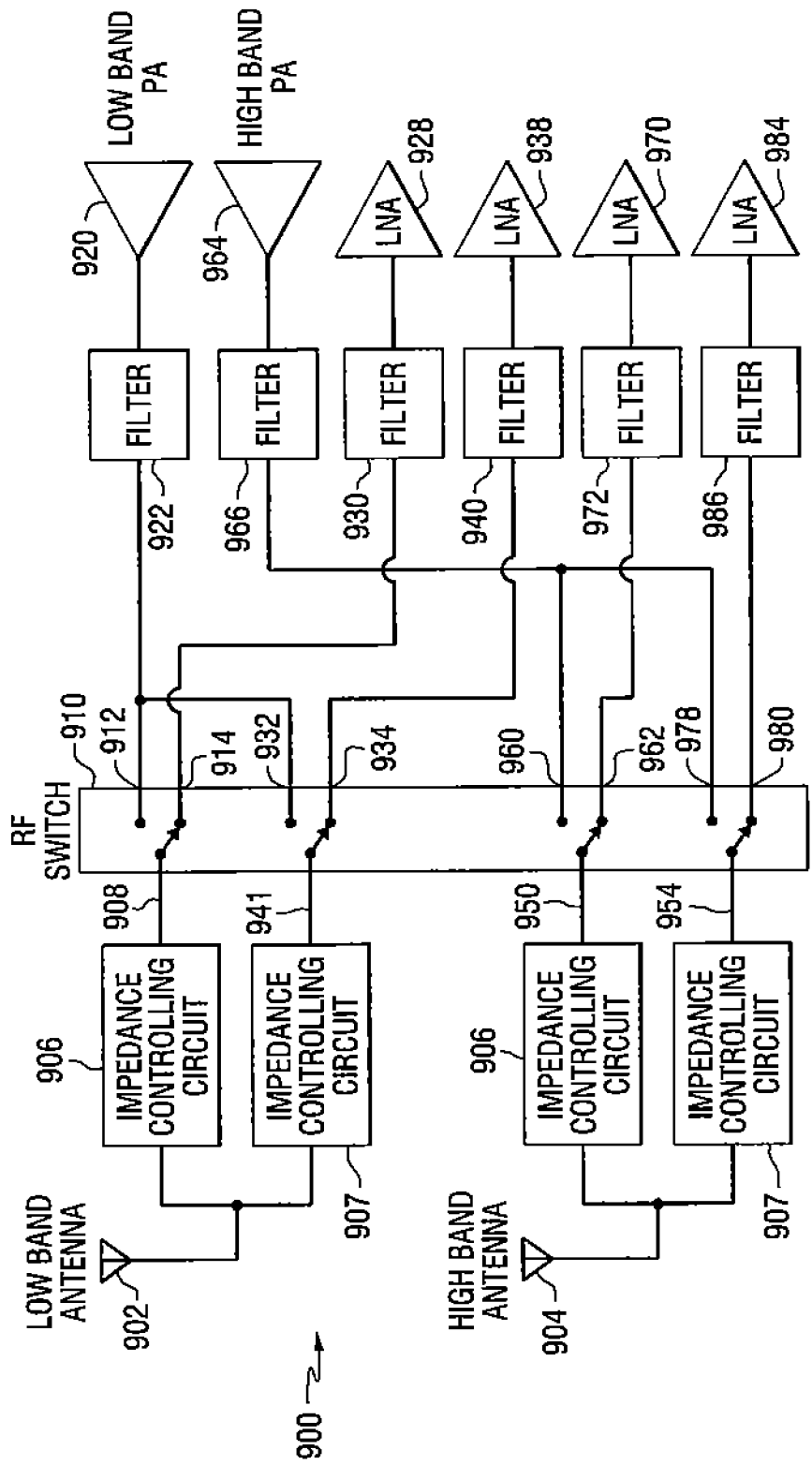
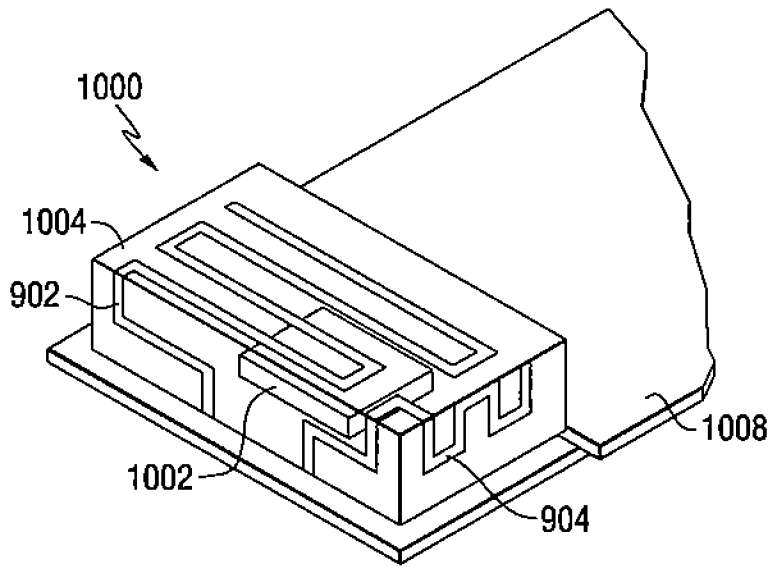
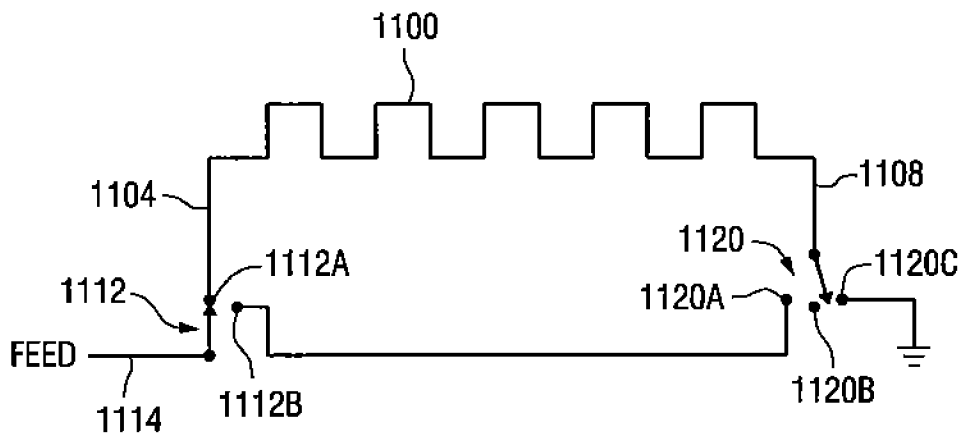


FIG. 22



**FIG. 23**



**FIG. 24**

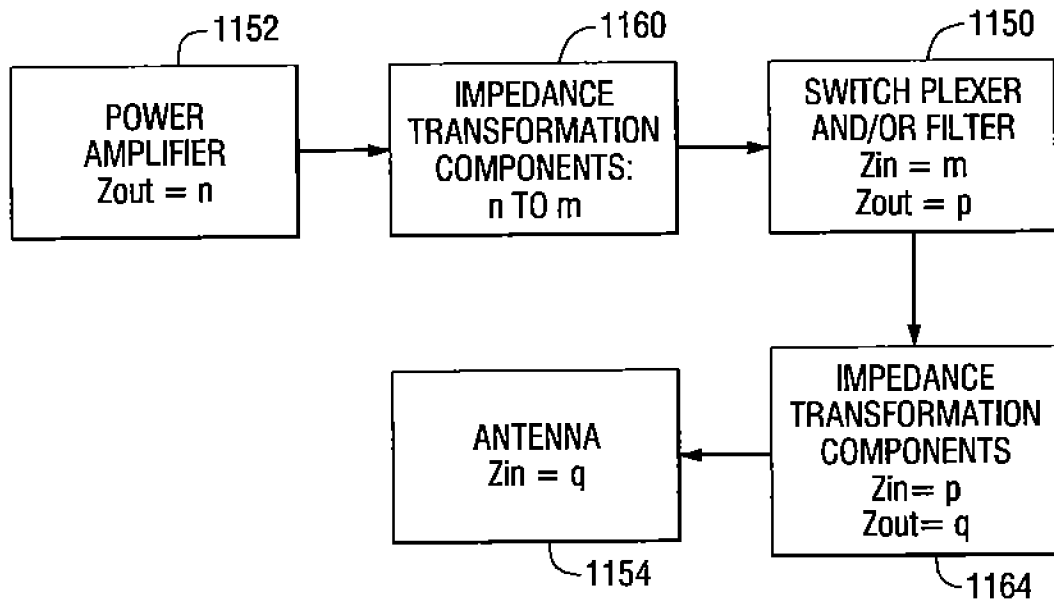


FIG. 25

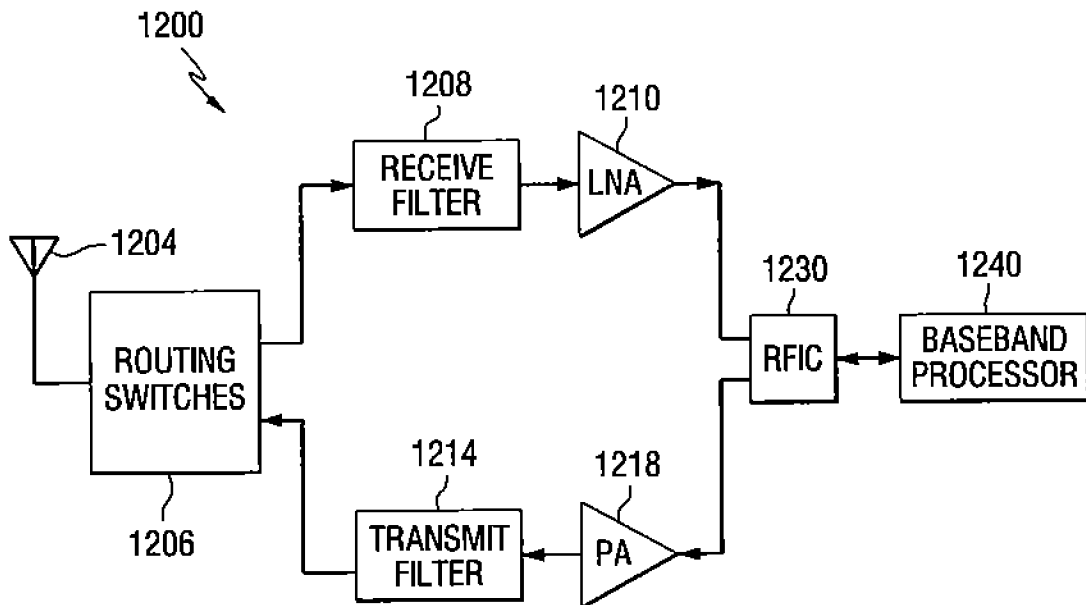


FIG. 26

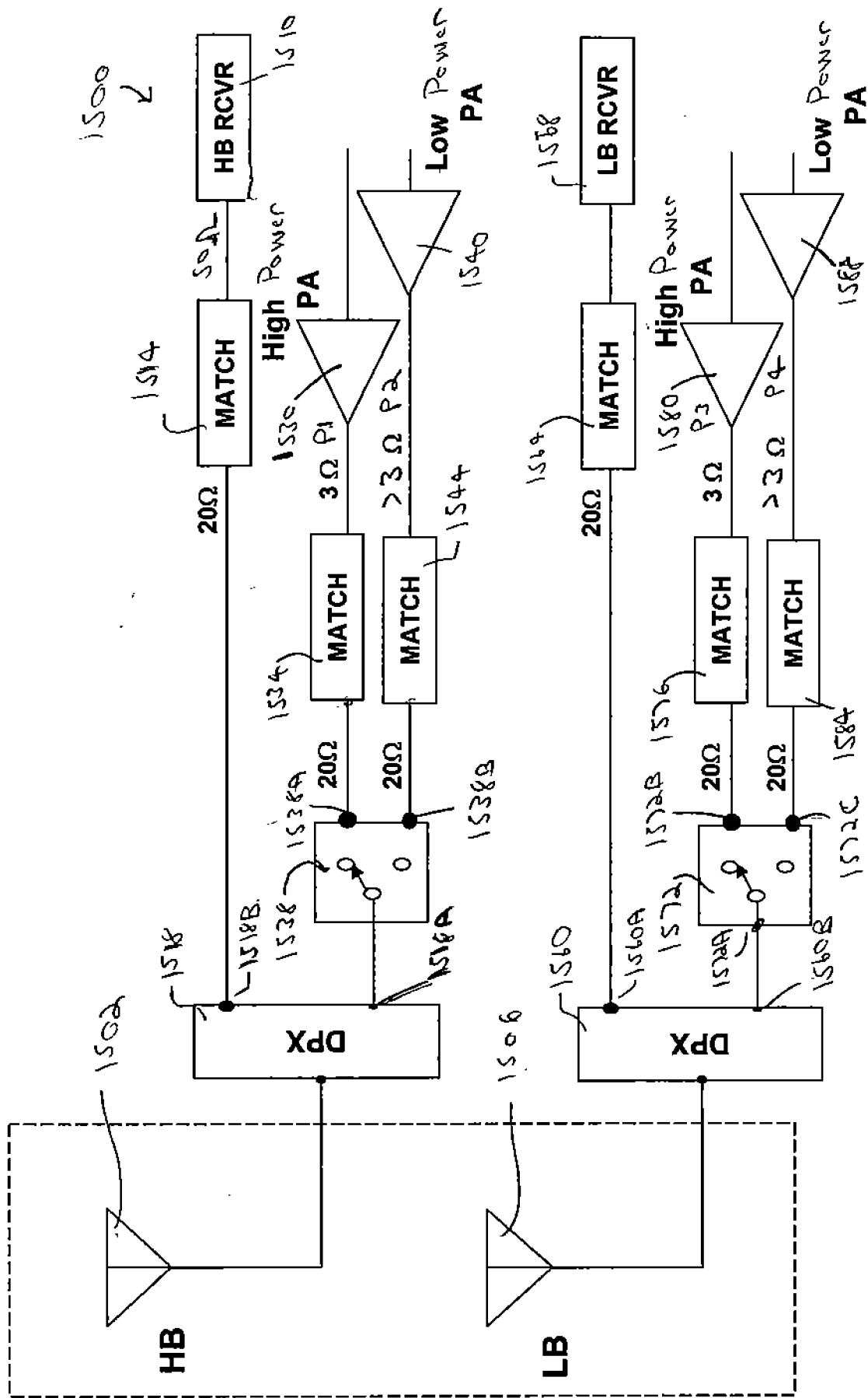


Figure 27

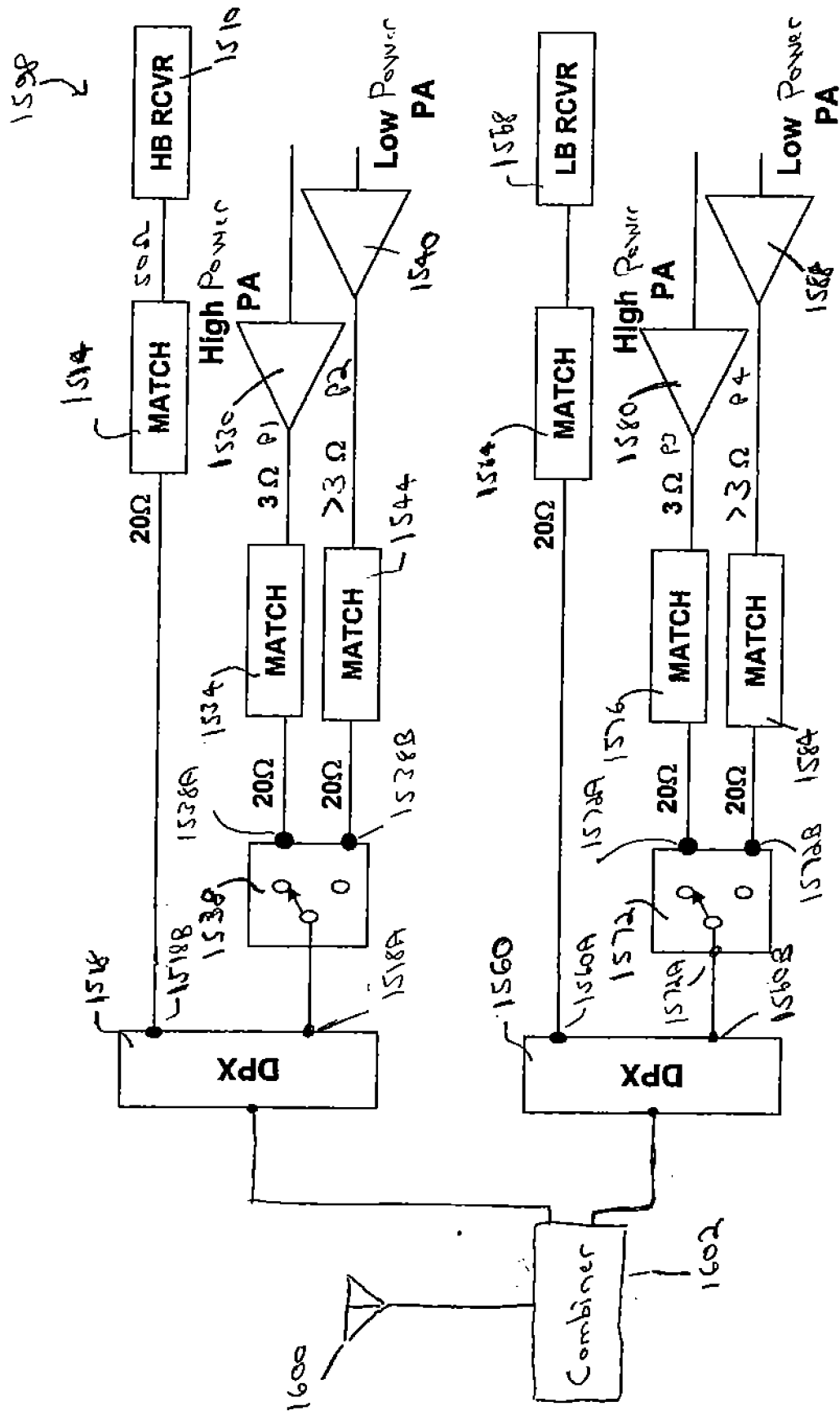


Figure 28

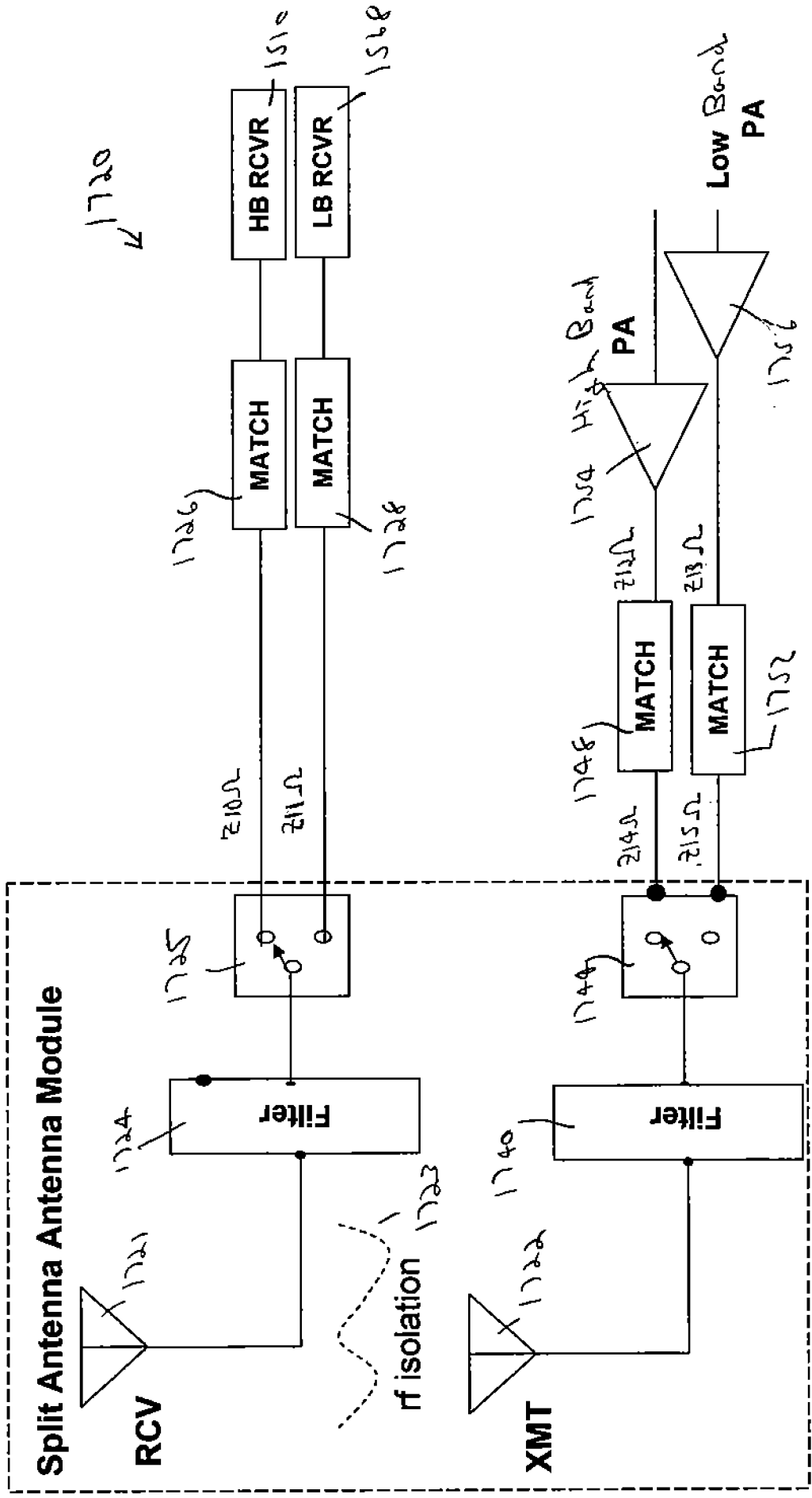


Figure 29

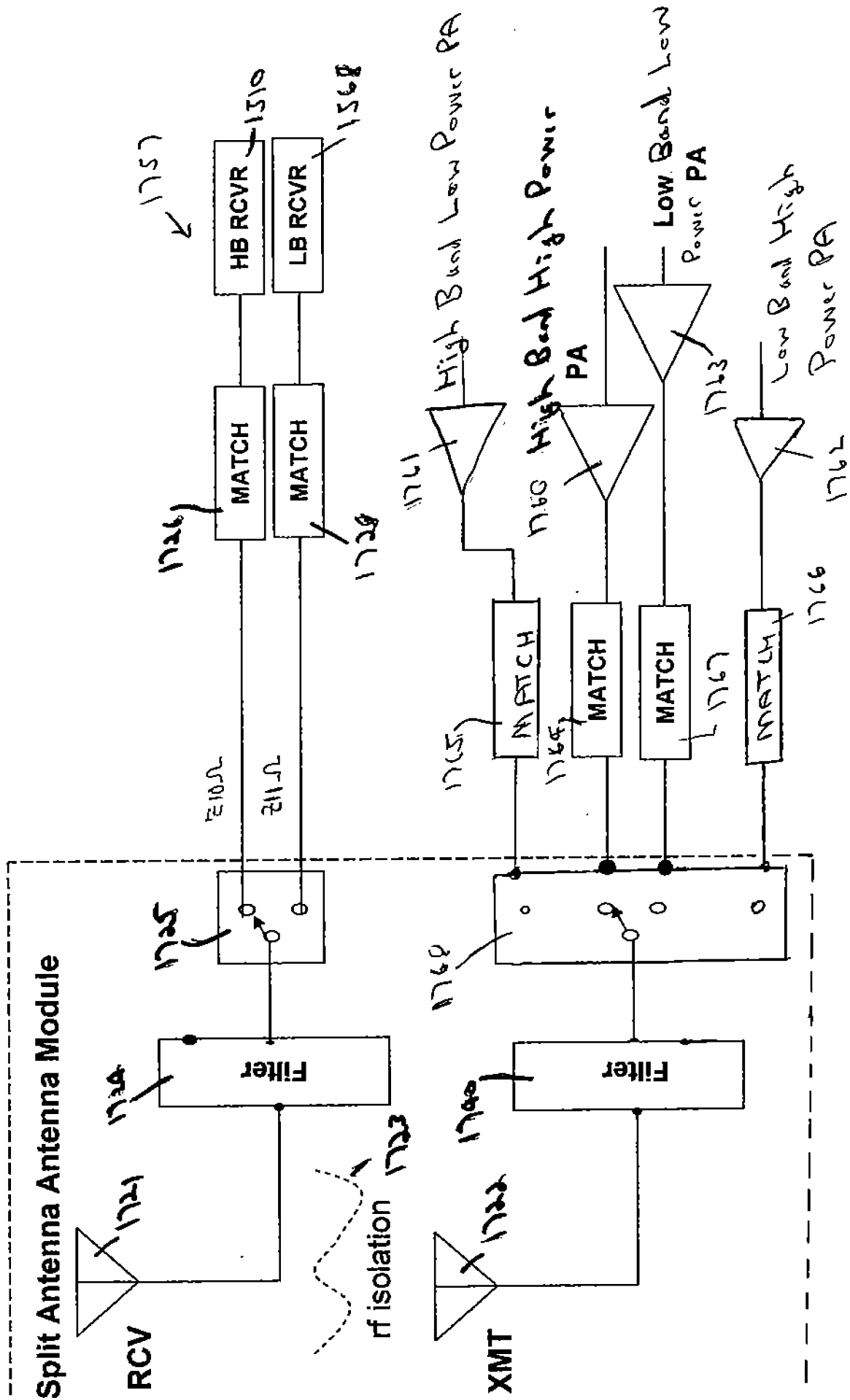


Figure 30

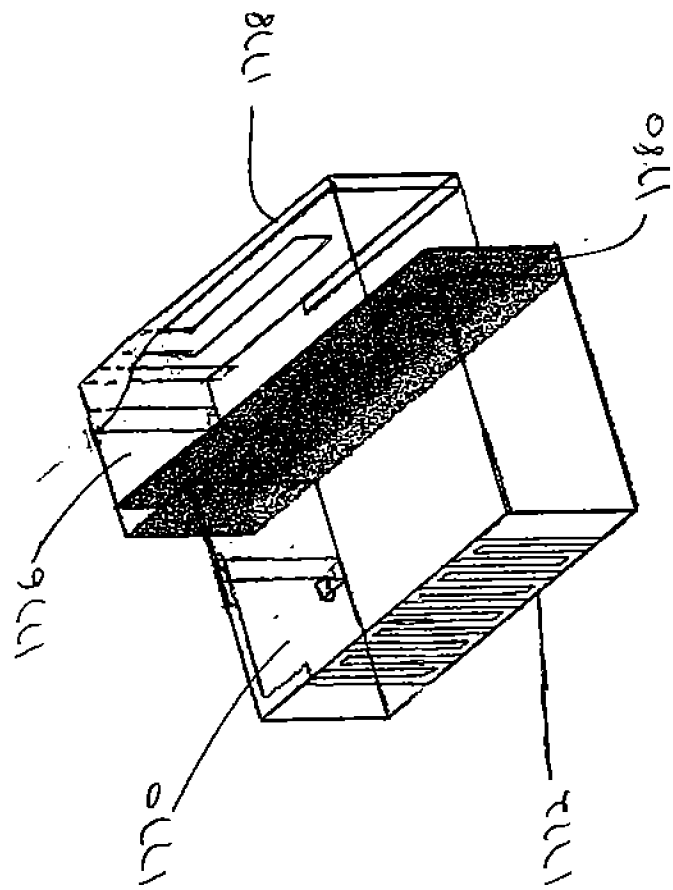


Figure 31



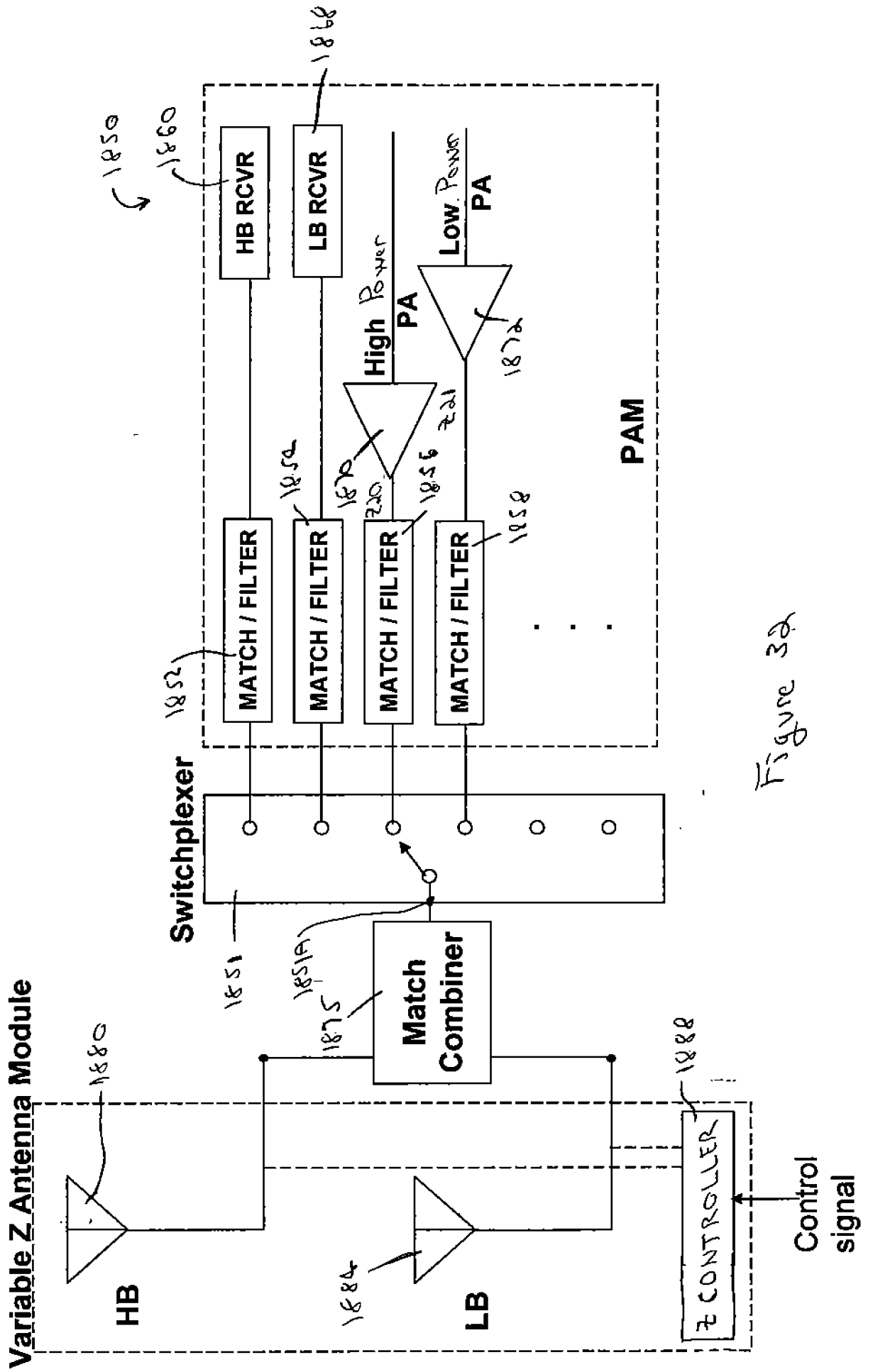


Figure 3a

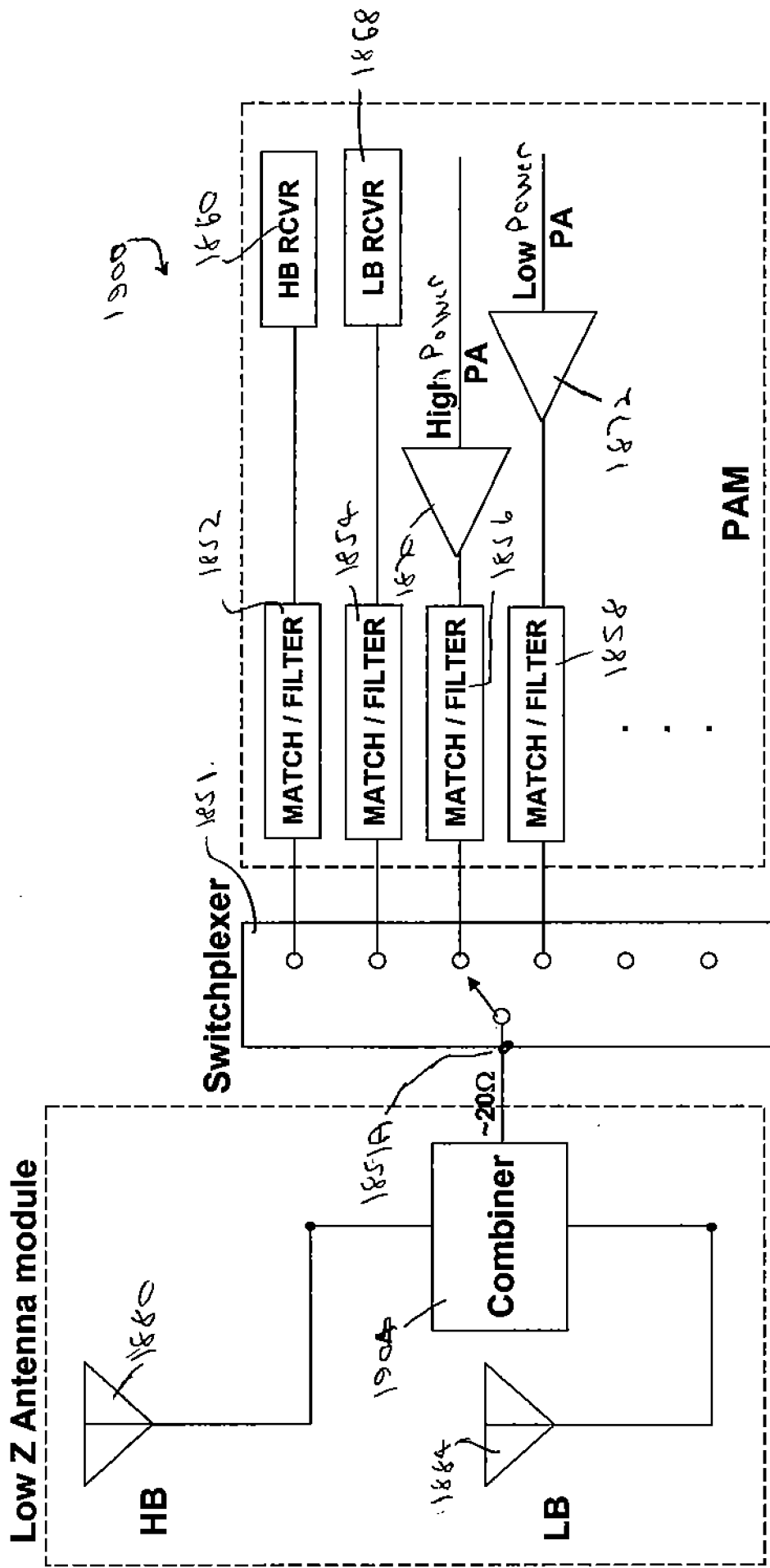


Figure 33

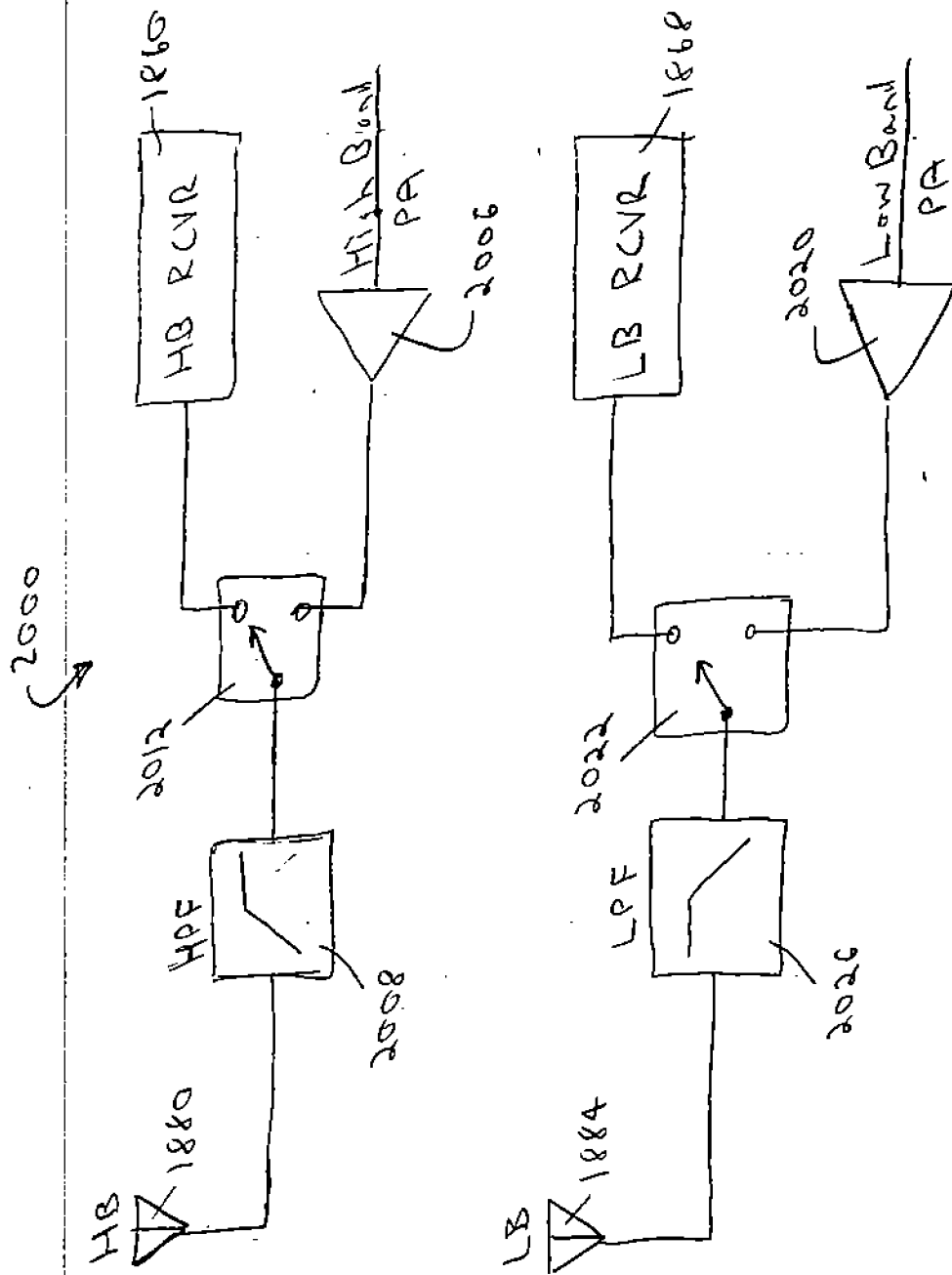


Figure 34

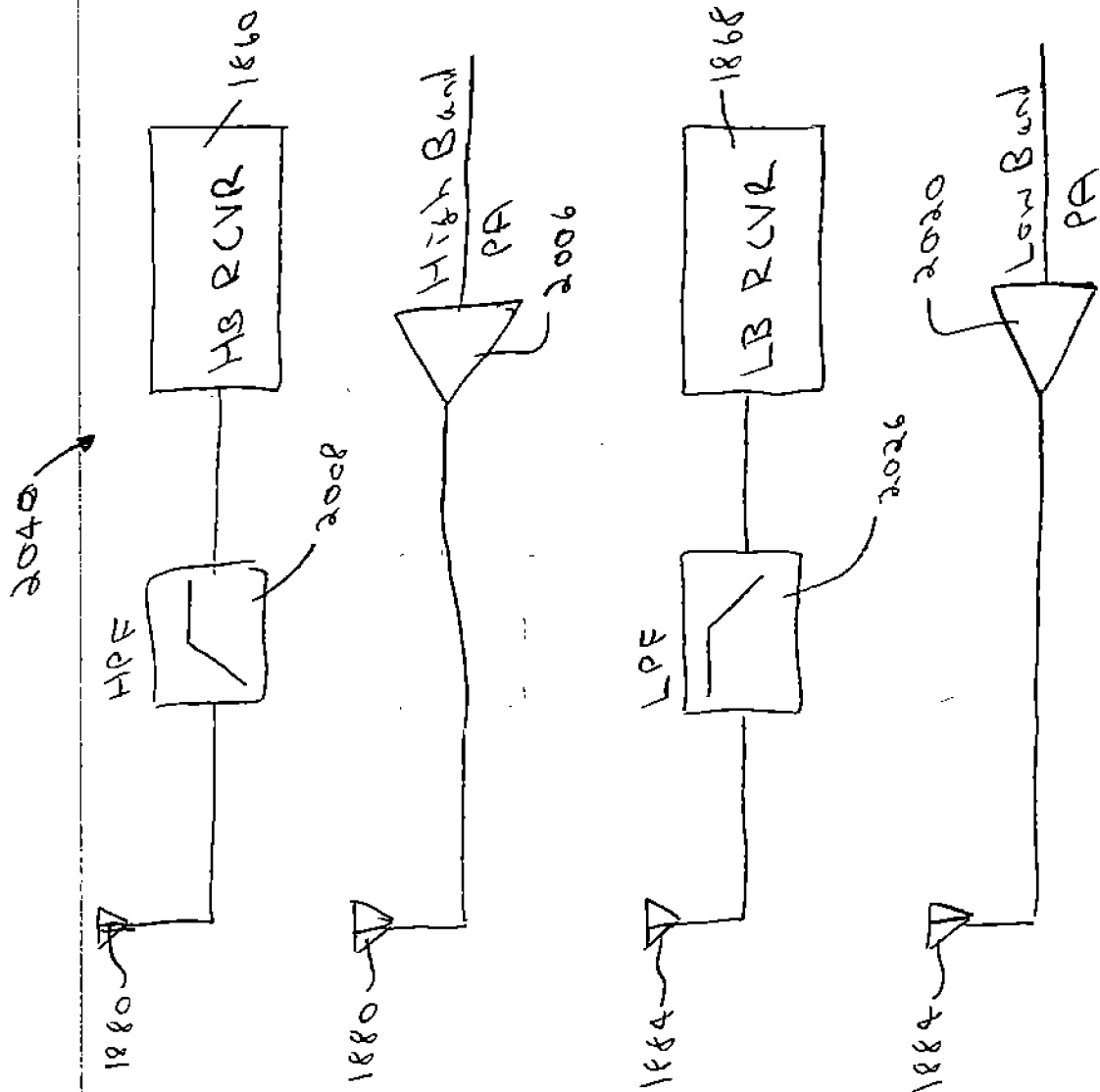


FIGURE 35