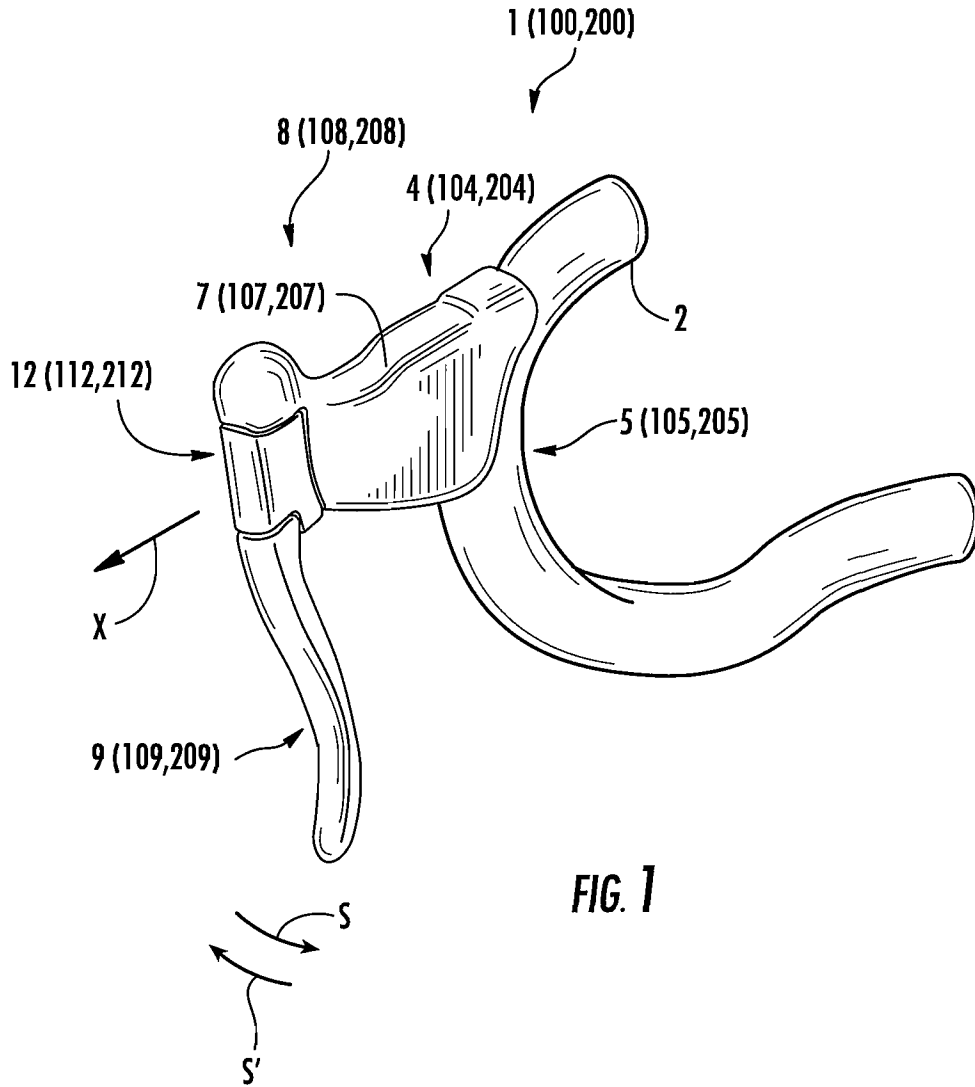


REPLACEMENT SHEET

1/23



REPLACEMENT SHEET

2/23

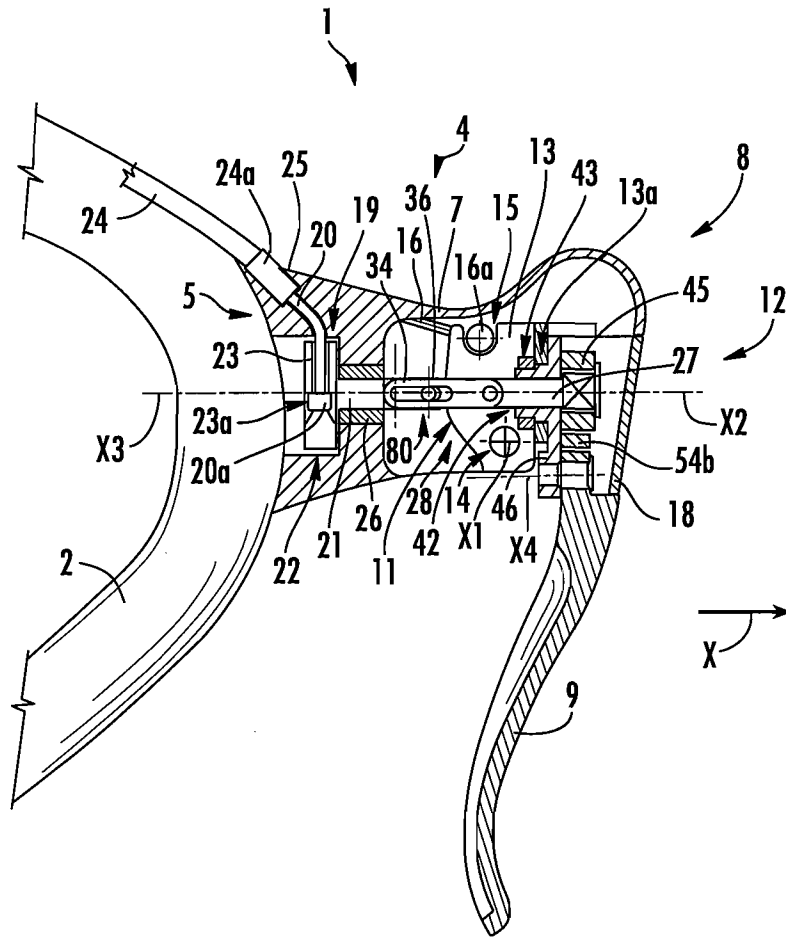


FIG. 2

# REPLACEMENT SHEET

3/23

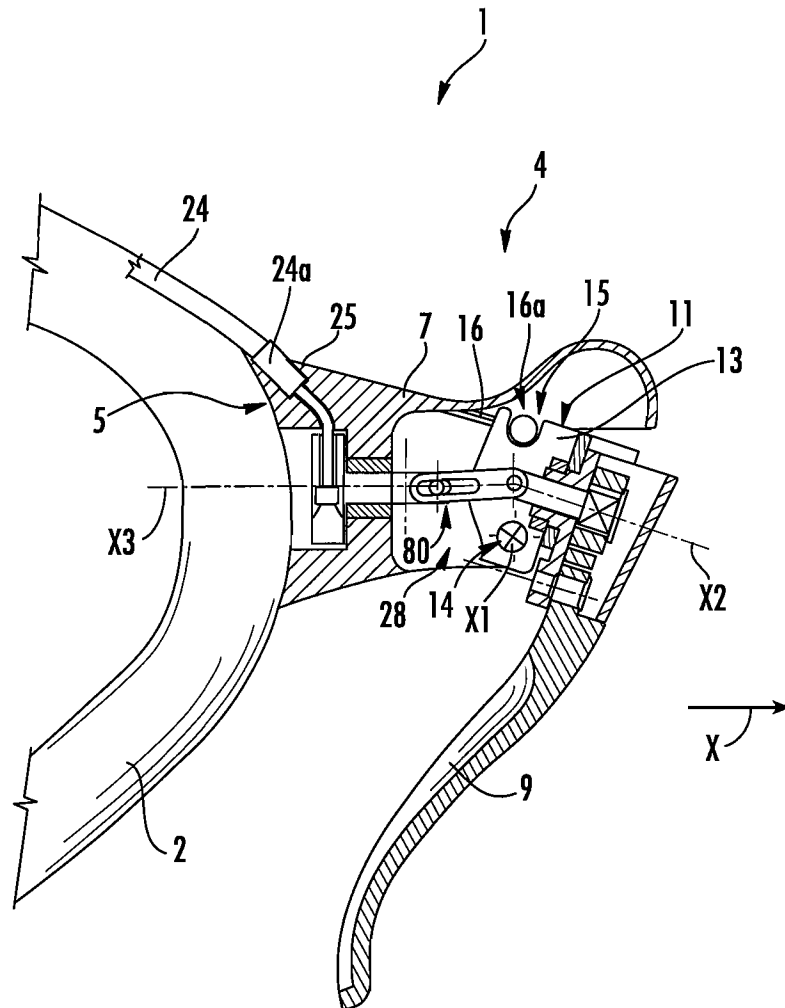


FIG. 3

# REPLACEMENT SHEET

4/23

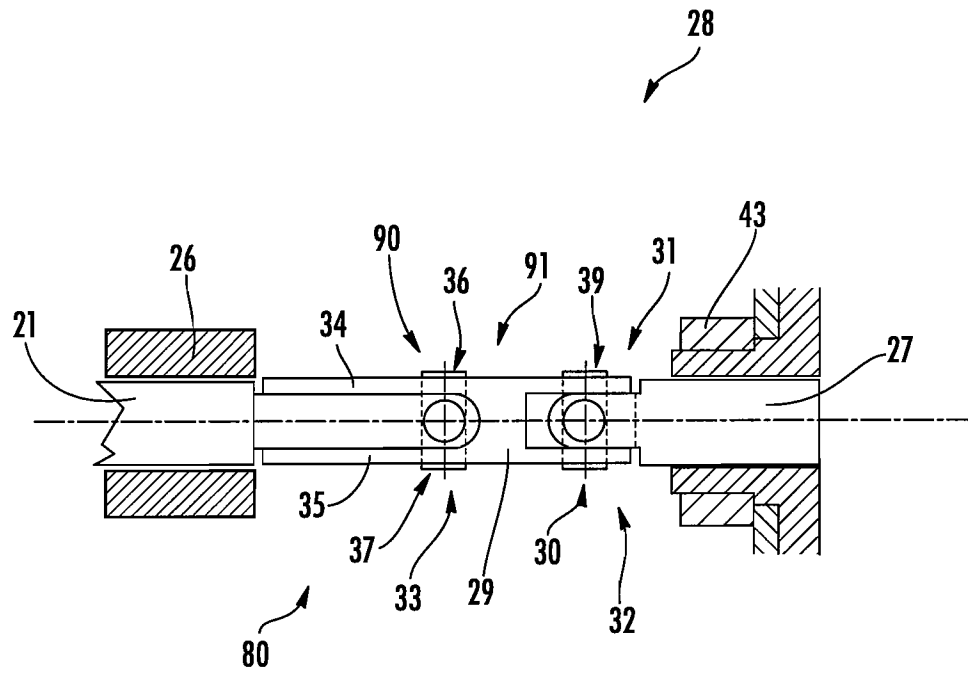


FIG. 4

REPLACEMENT SHEET

5/23

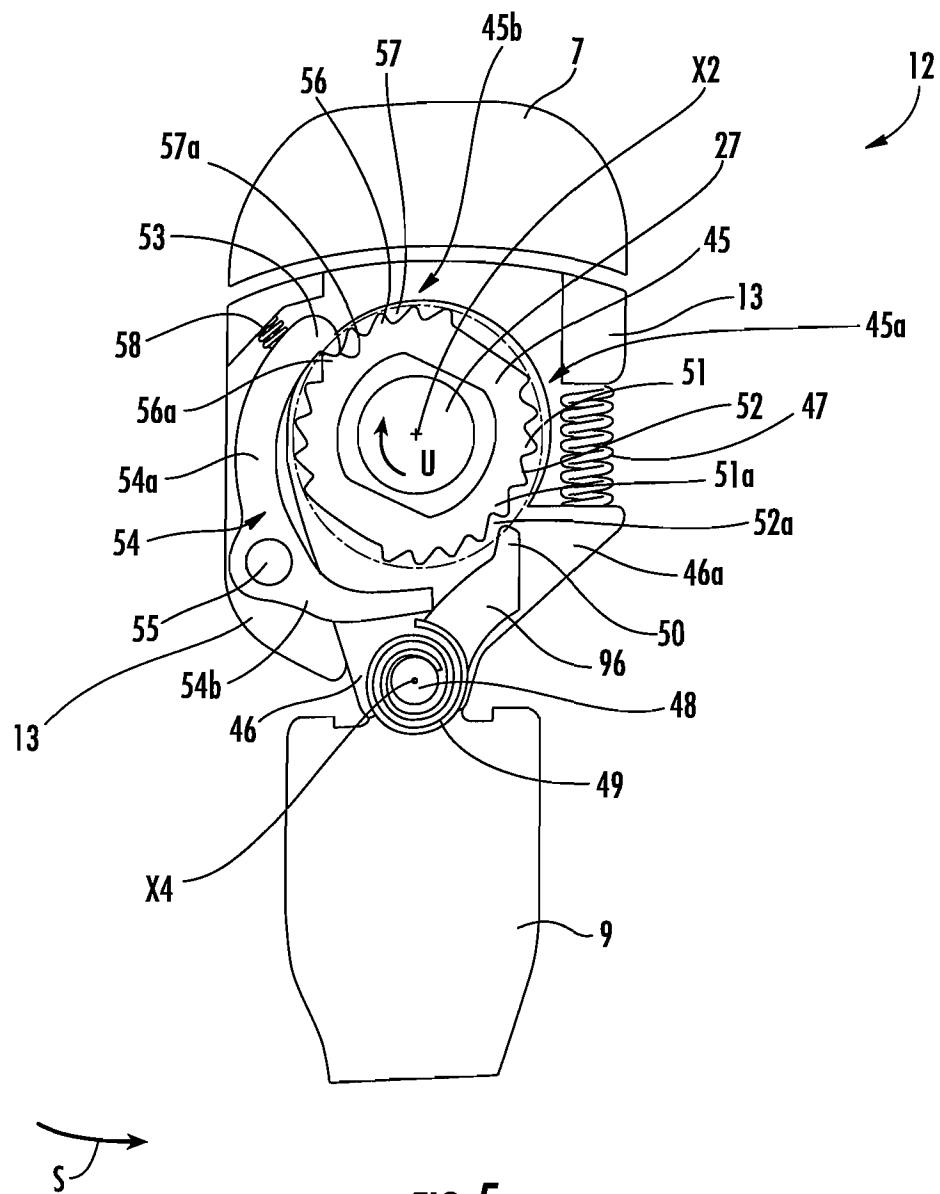


FIG. 5

REPLACEMENT SHEET

6/23

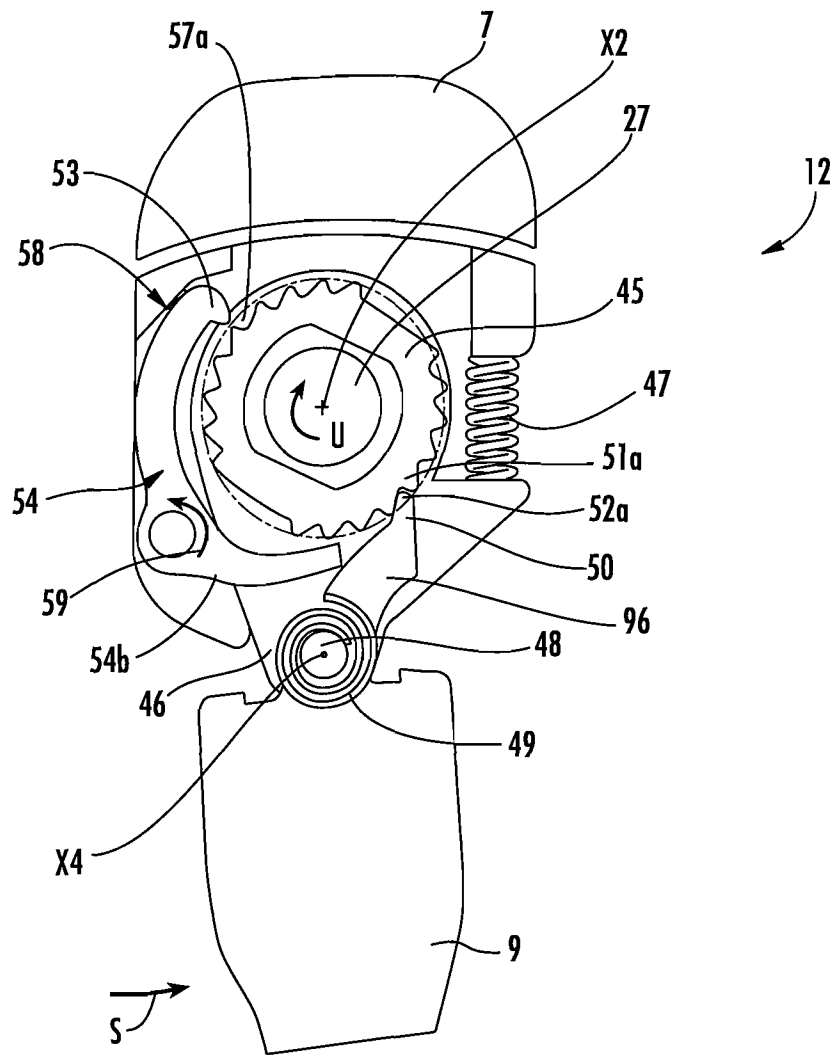


FIG. 6

REPLACEMENT SHEET

7/23

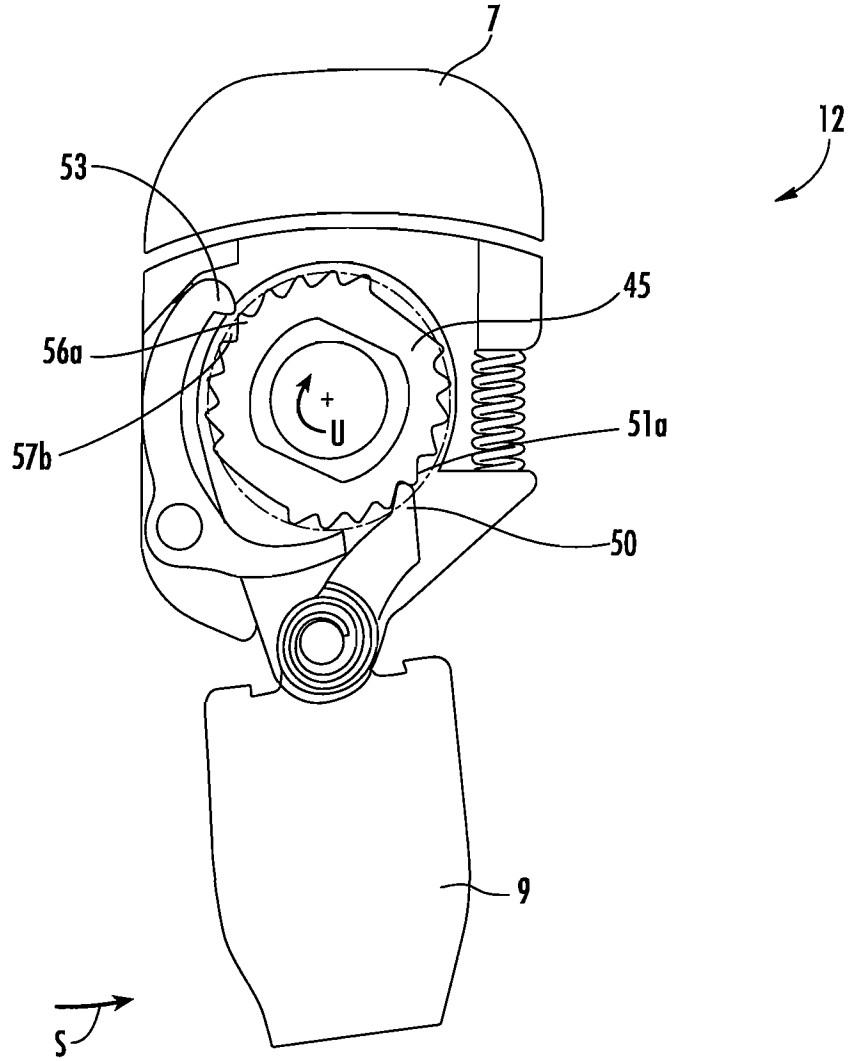


FIG. 7

REPLACEMENT SHEET

8/23

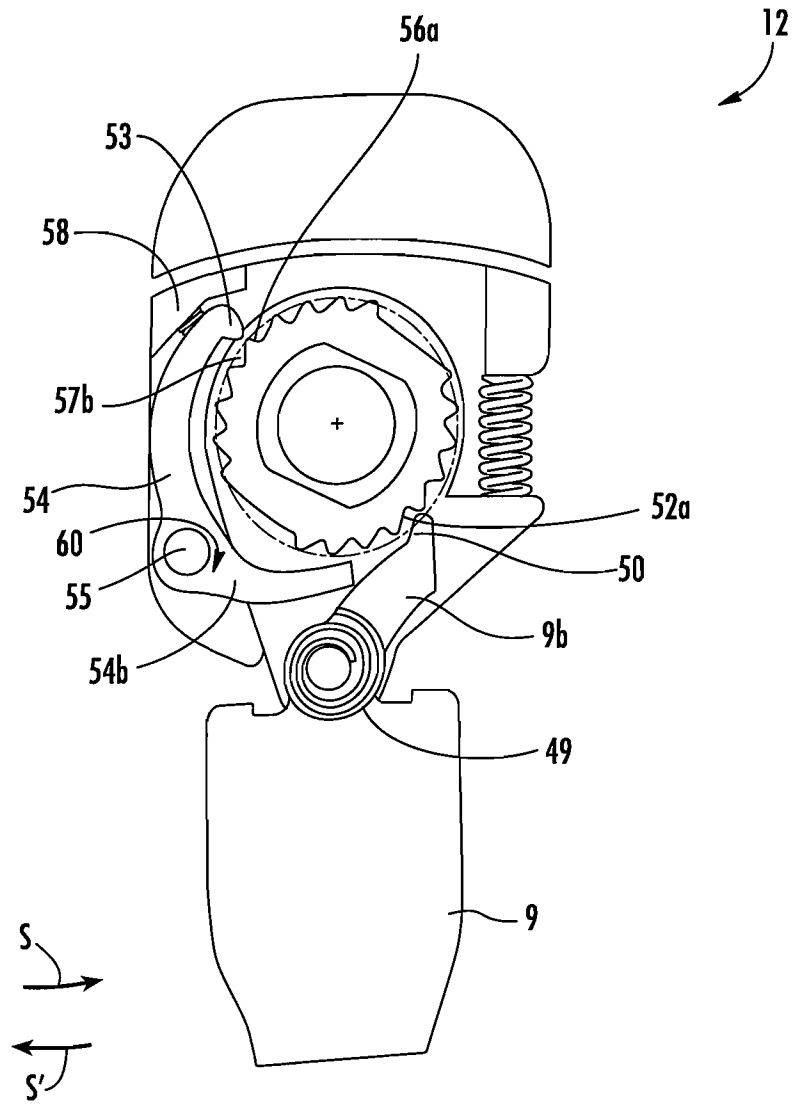


FIG. 8



REPLACEMENT SHEET

9/23

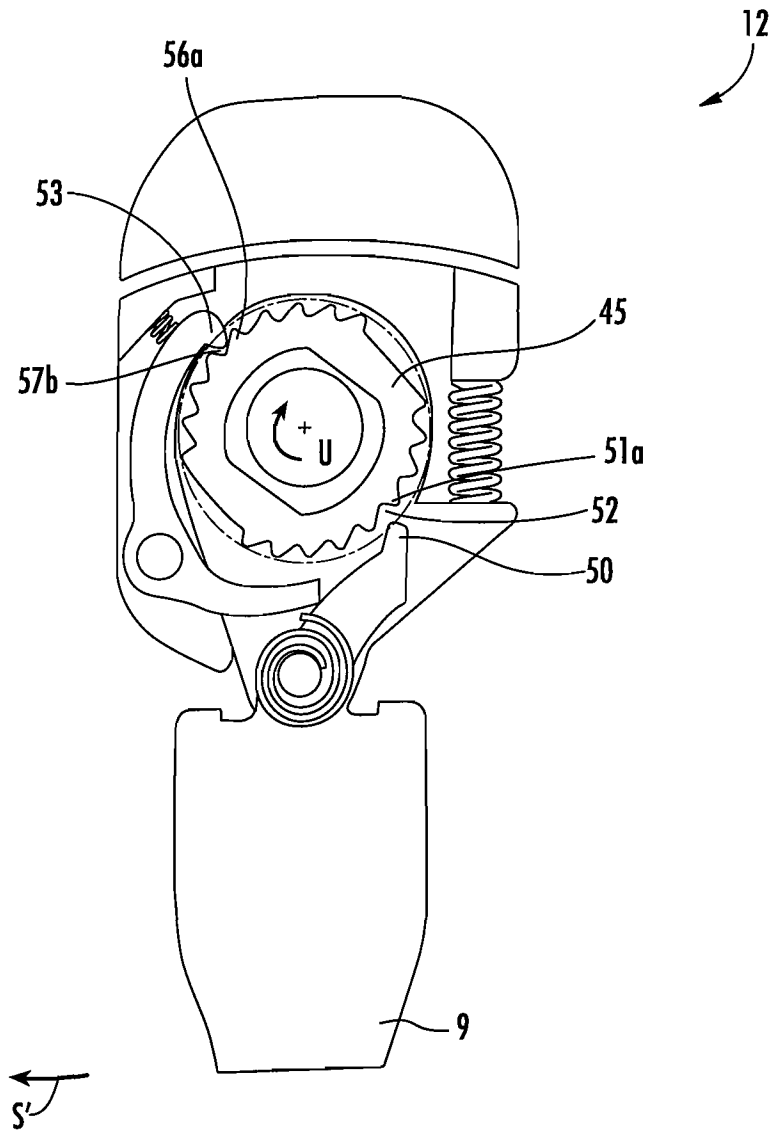


FIG. 9

REPLACEMENT SHEET

10/23

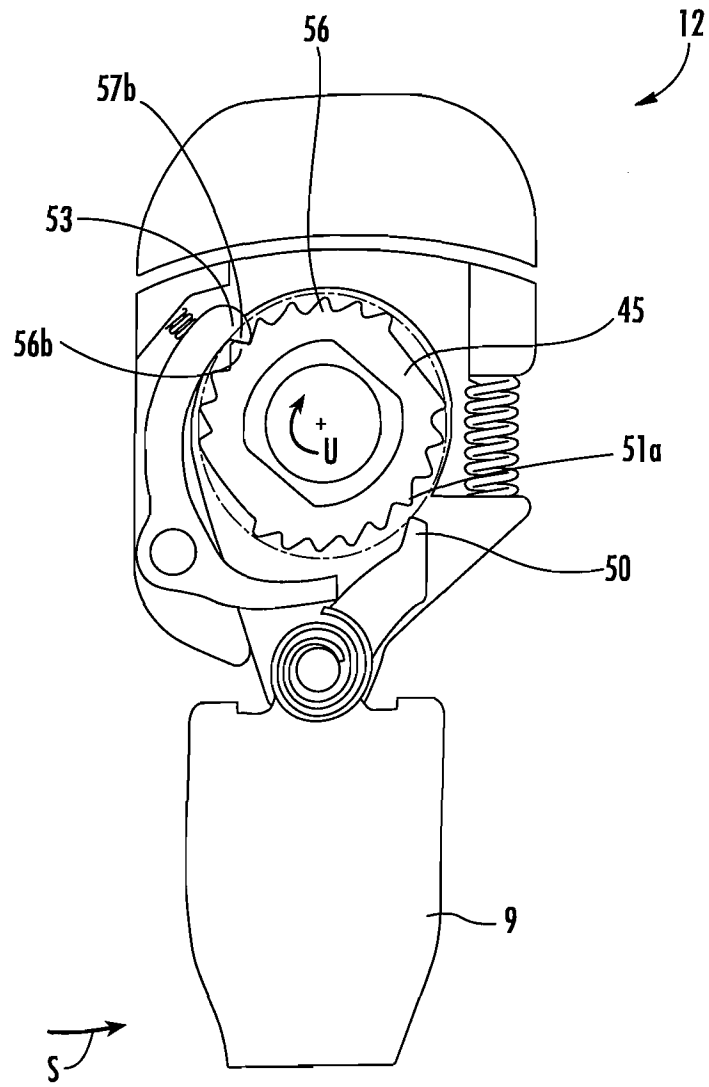


FIG. 10

REPLACEMENT SHEET

11/23

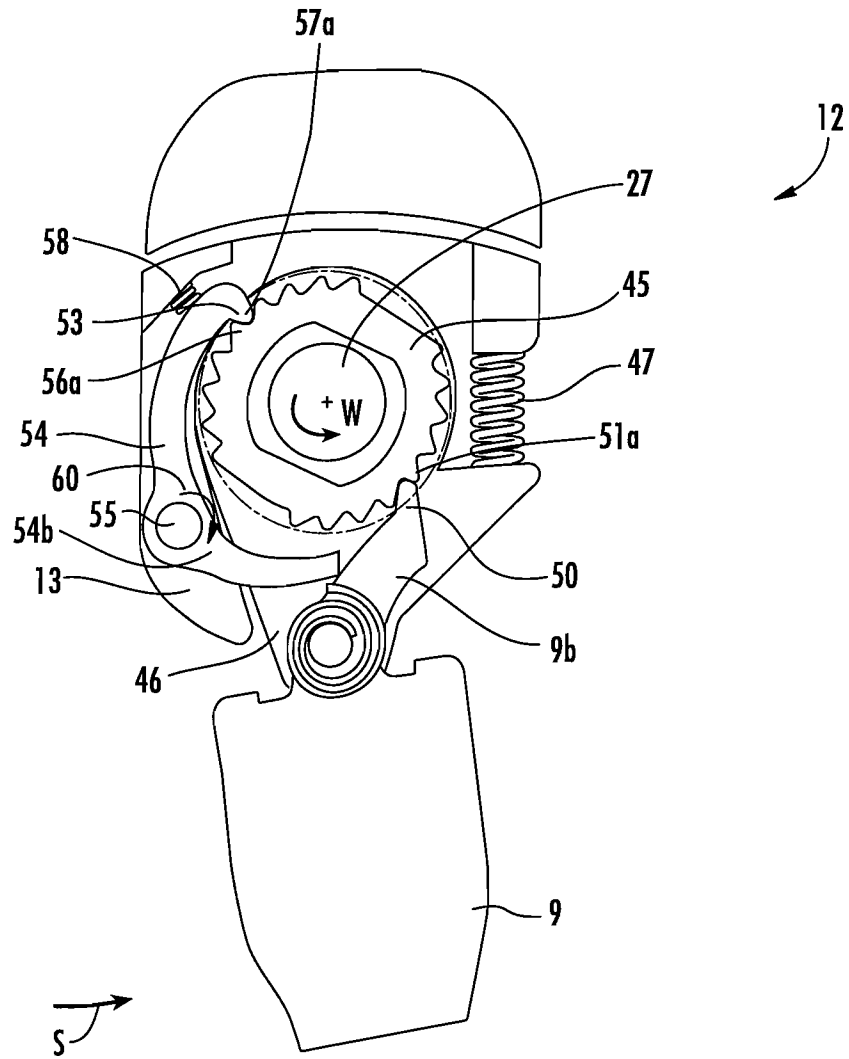


FIG. 11

REPLACEMENT SHEET

12/23

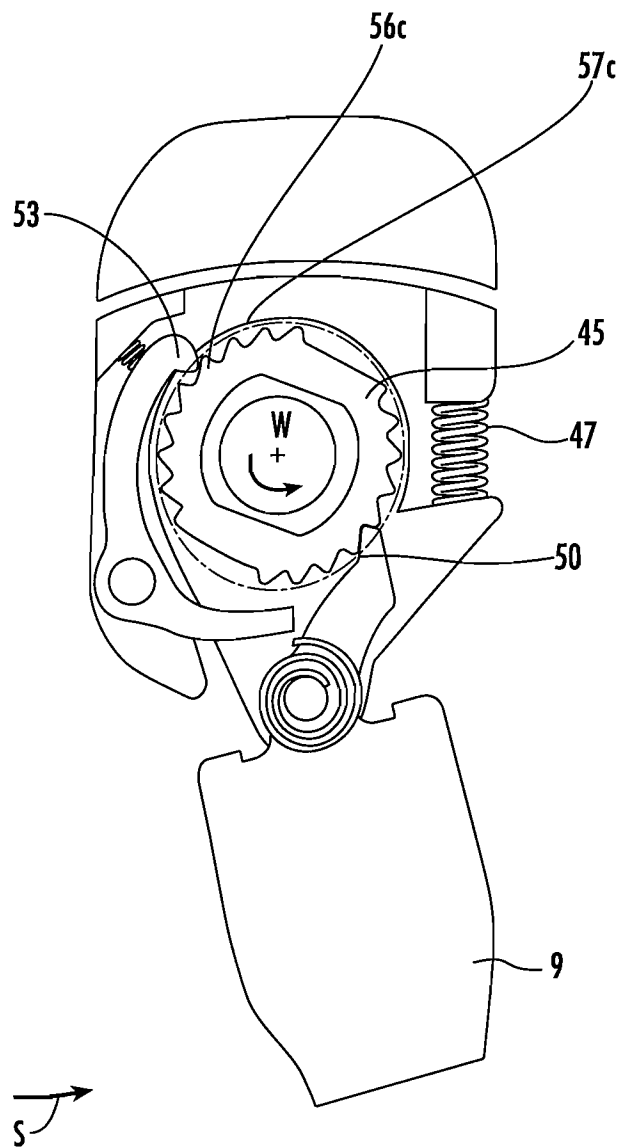


FIG. 12

REPLACEMENT SHEET

13/23

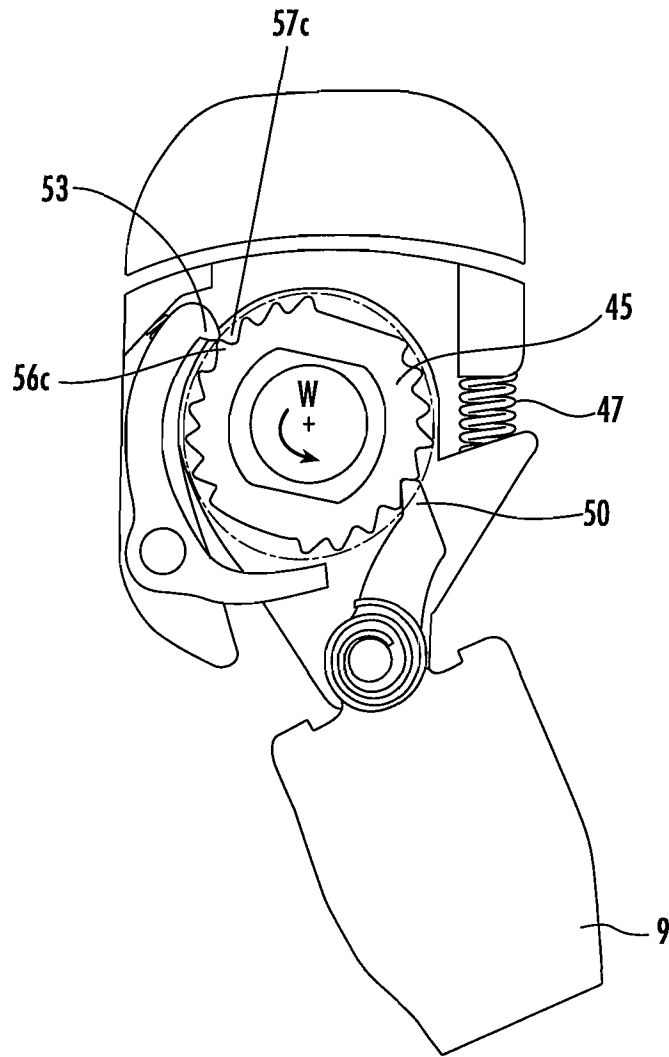


FIG. 13

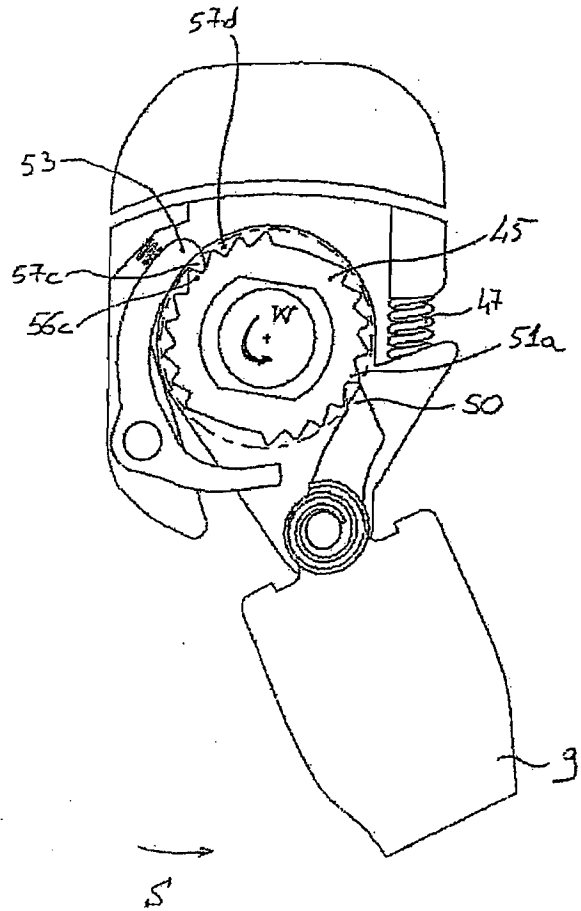


Fig. 14

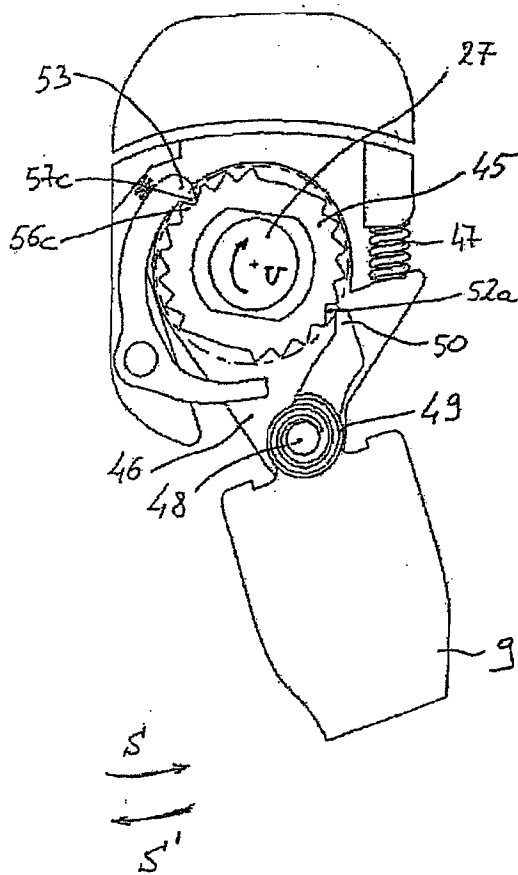


Fig. 15

16/23

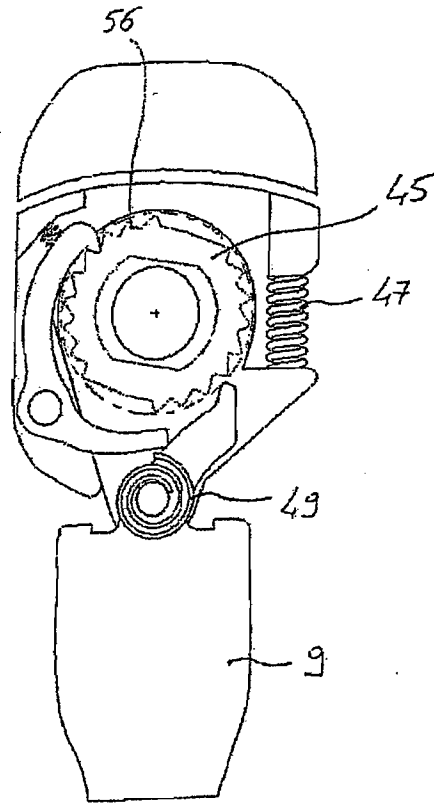


Fig. 16



# REPLACEMENT SHEET

17/23

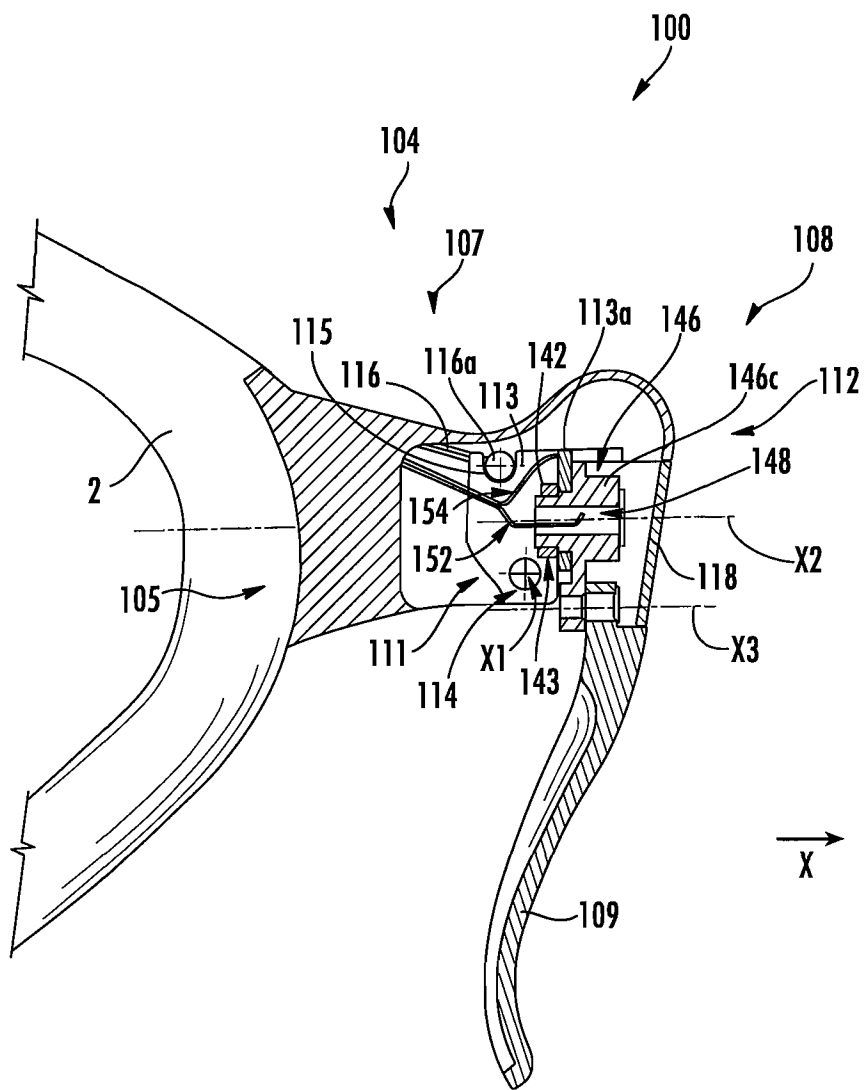
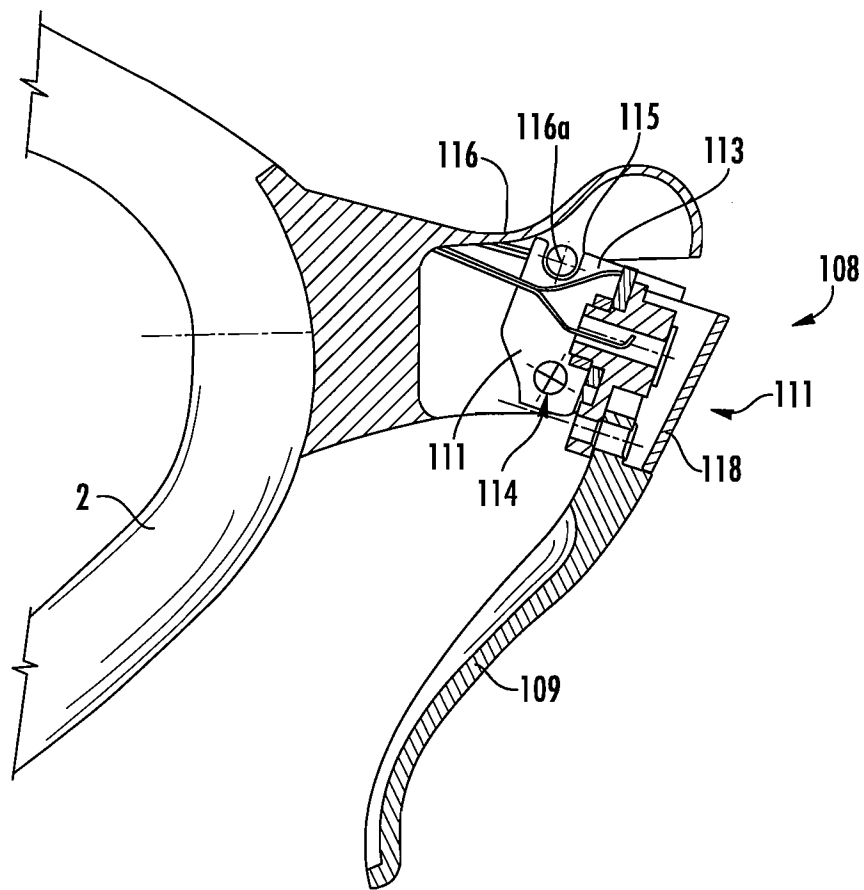


FIG. 17

# REPLACEMENT SHEET

18/23



**FIG. 18**

REPLACEMENT SHEET

19/23

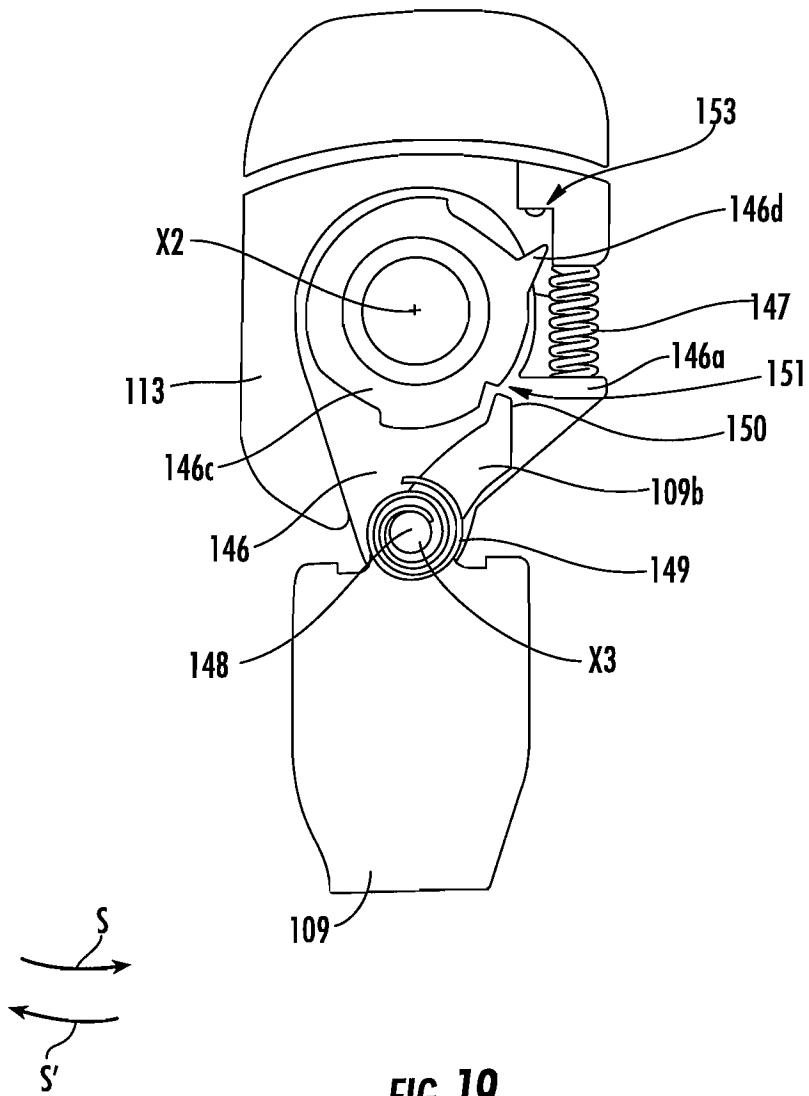
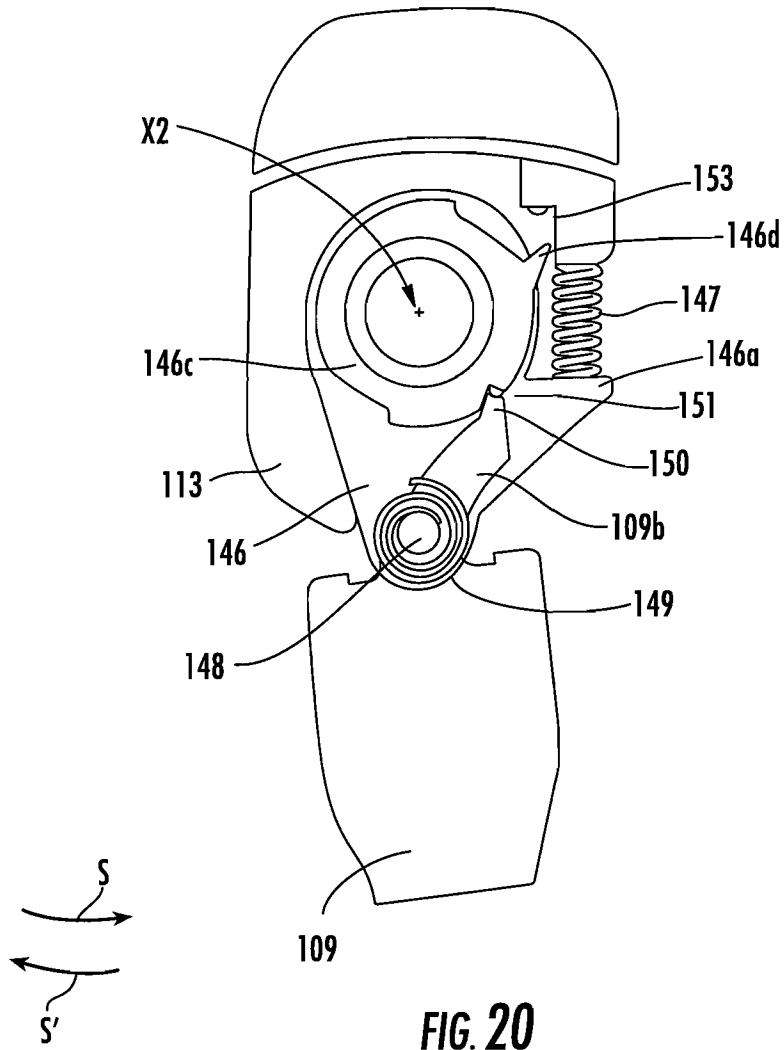


FIG. 19

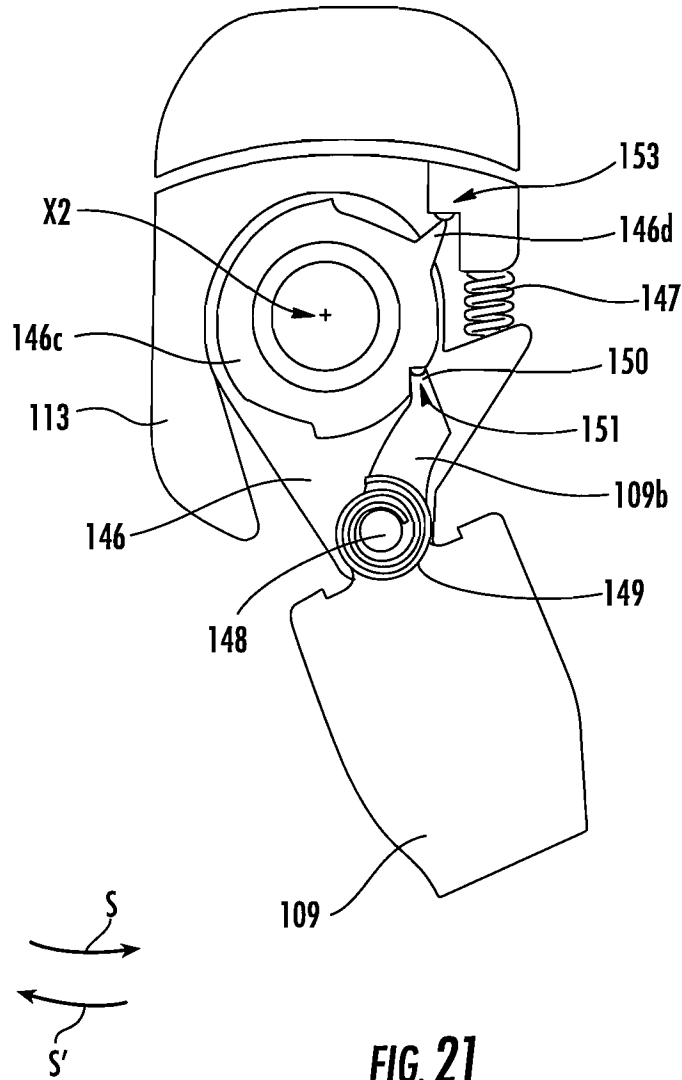
REPLACEMENT SHEET

20/23



REPLACEMENT SHEET

21/23



# REPLACEMENT SHEET

22/23

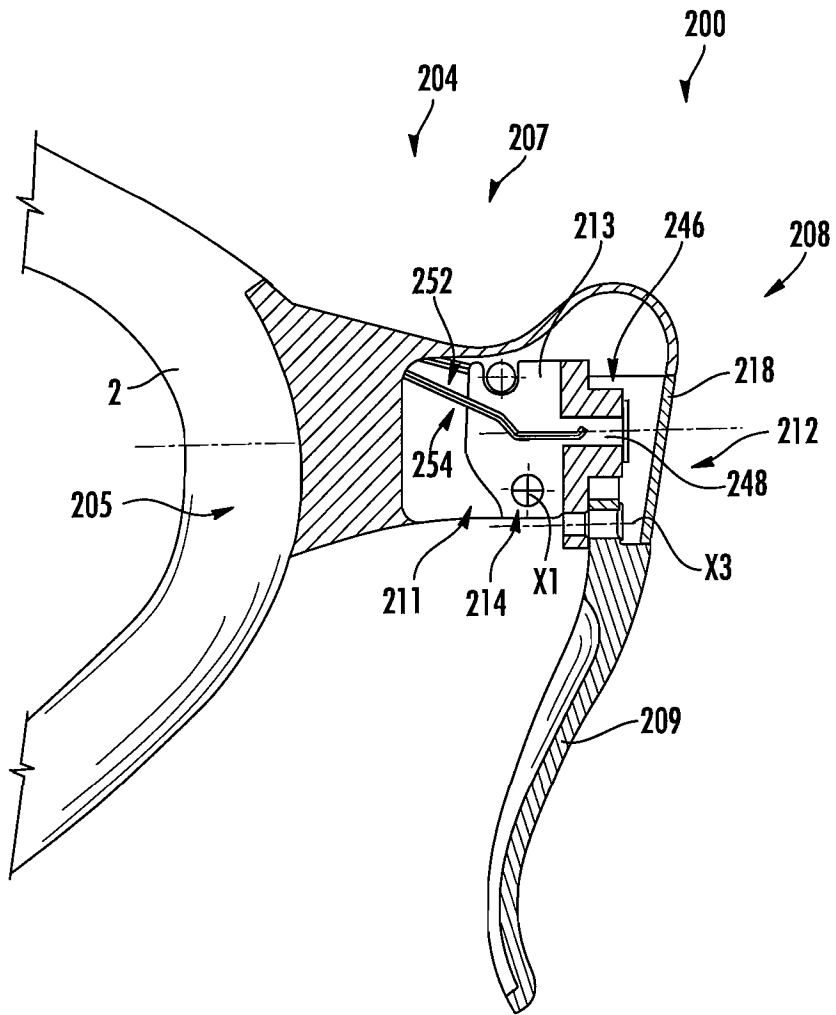


FIG. 22

REPLACEMENT SHEET

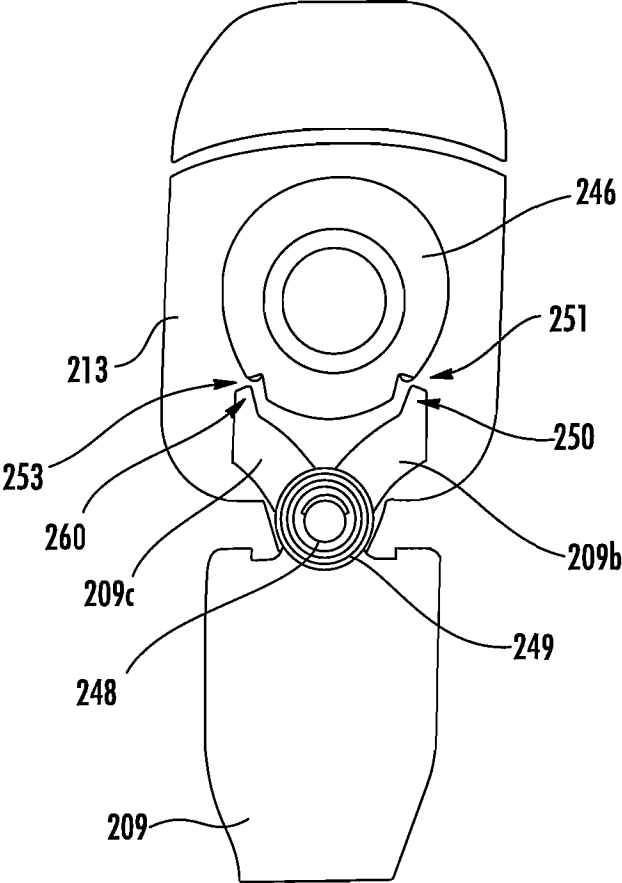


FIG. 23

