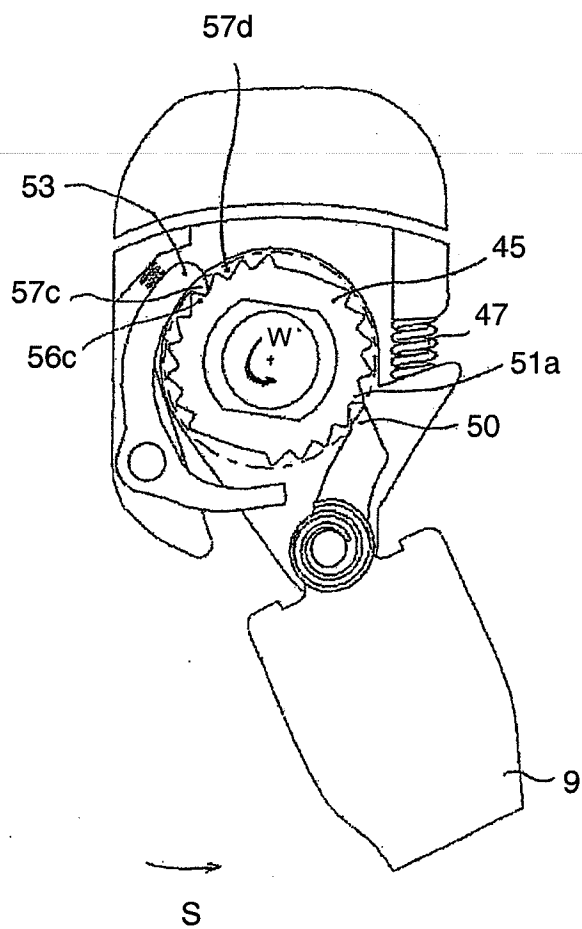
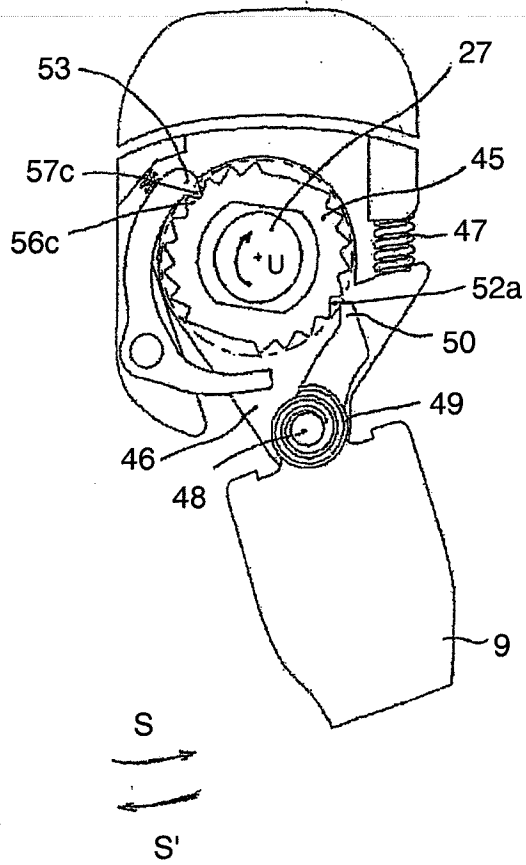


# REPLACEMENT SHEET



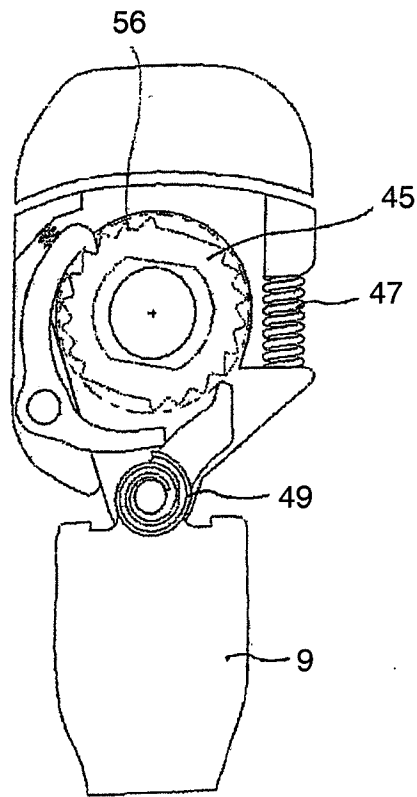
**Fig. 14**

# REPLACEMENT SHEET



**Fig. 15**

# REPLACEMENT SHEET



**Fig. 16**