

REPLACEMENT SHEET

1/17

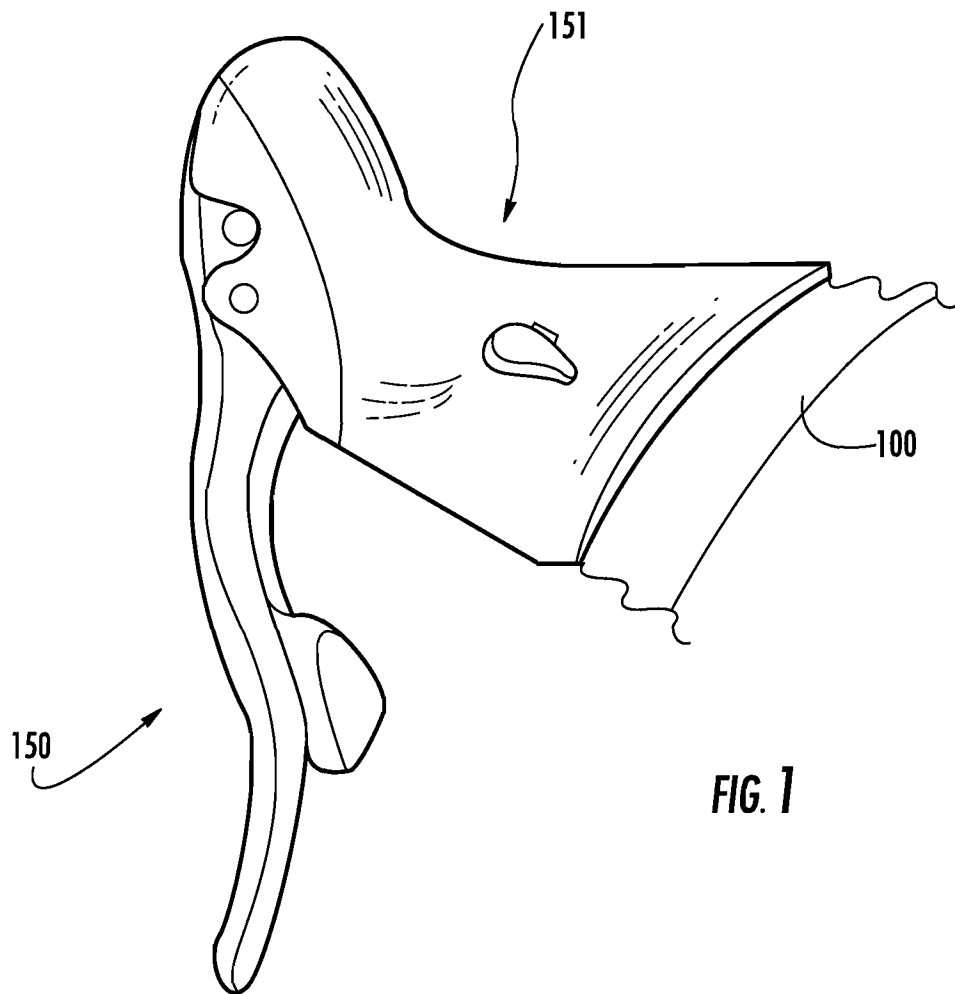


FIG. 1

REPLACEMENT SHEET

2/17

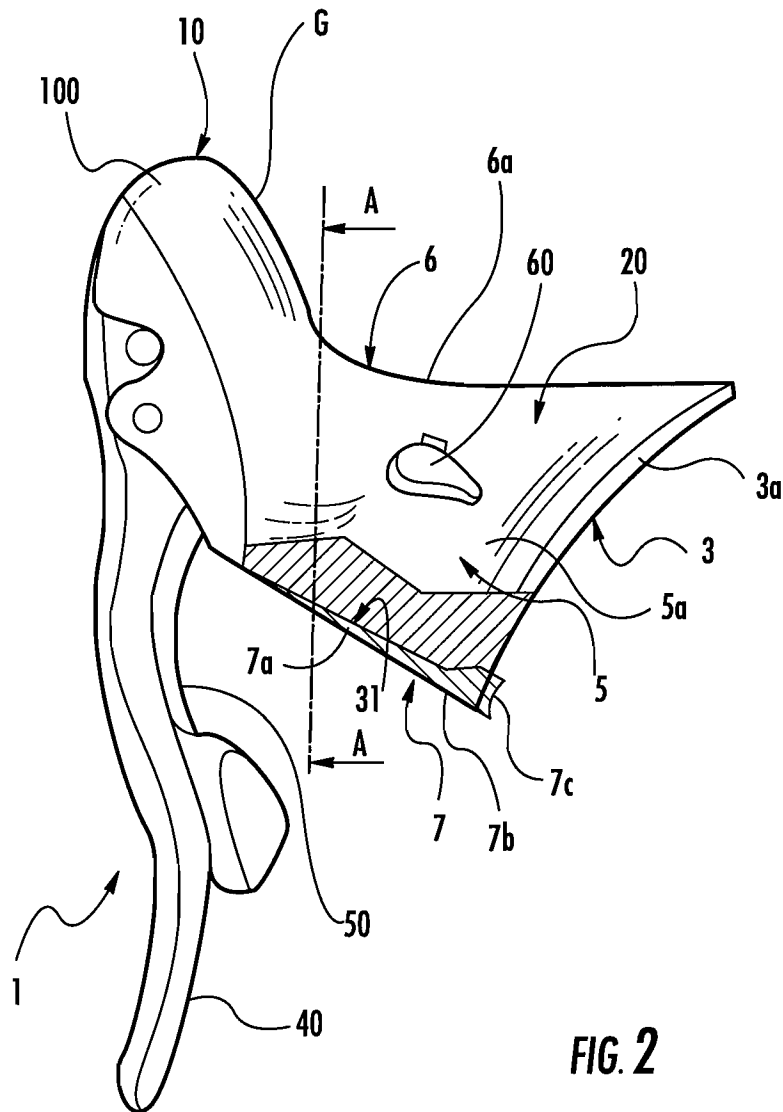
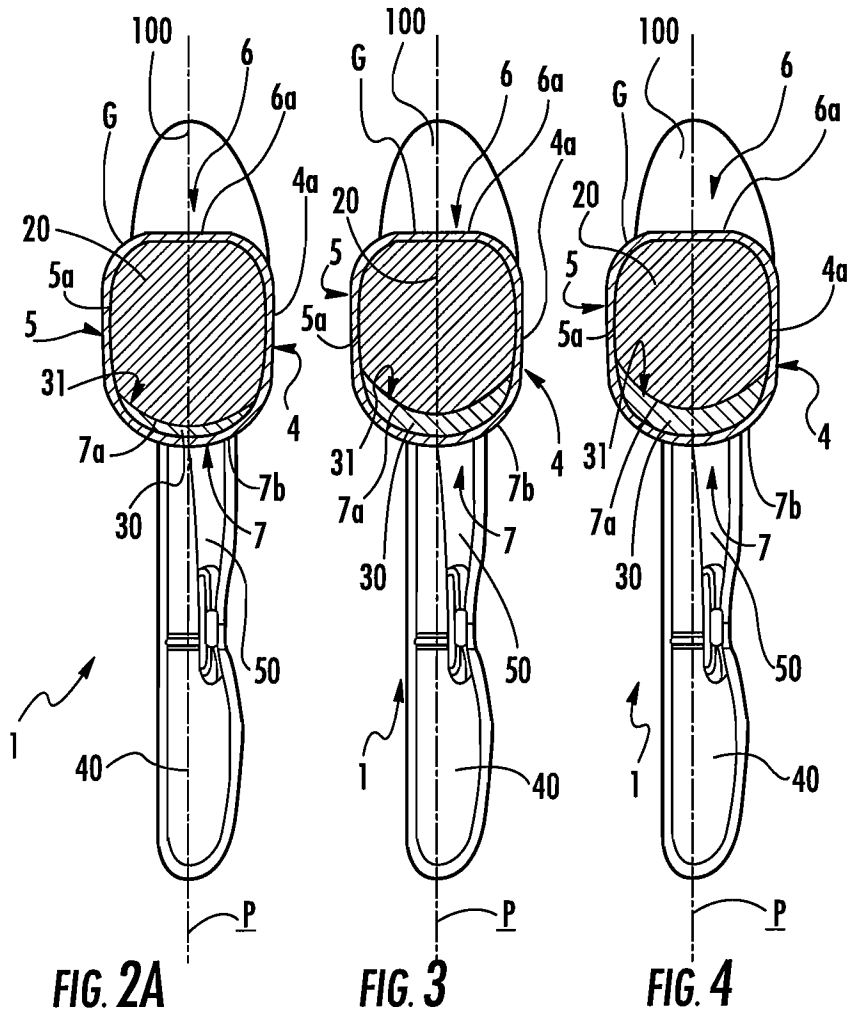


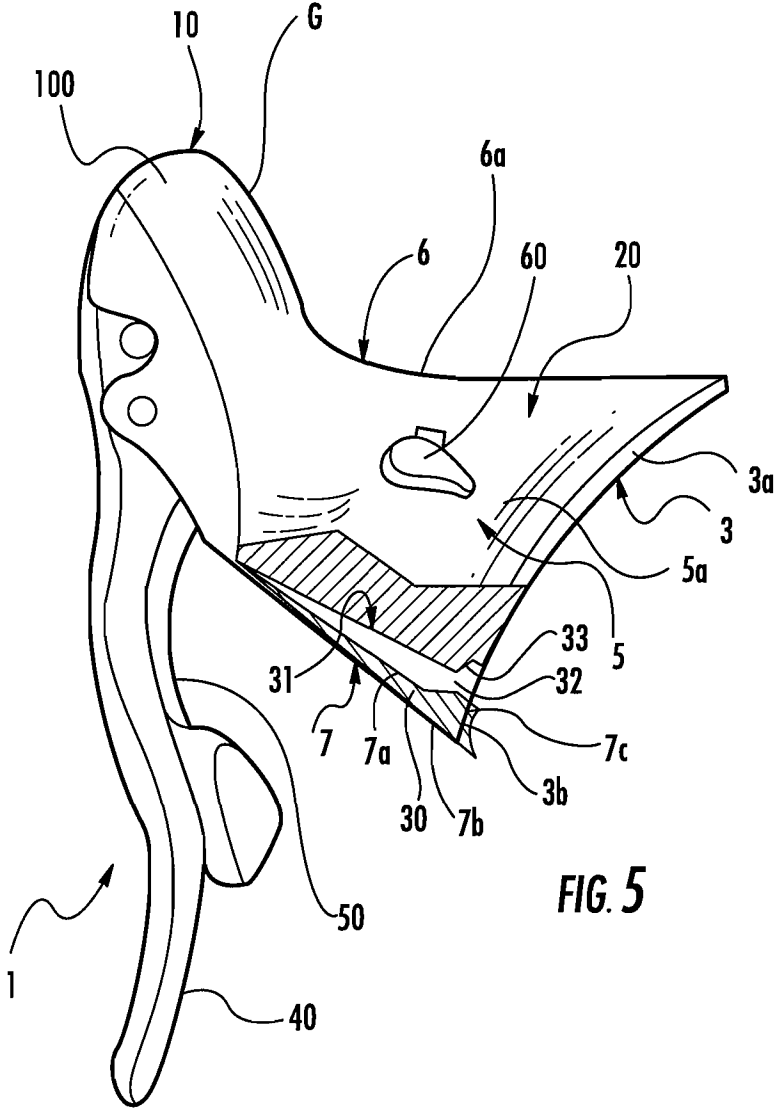
FIG. 2

REPLACEMENT SHEET

3/17



REPLACEMENT SHEET



REPLACEMENT SHEET

5/17

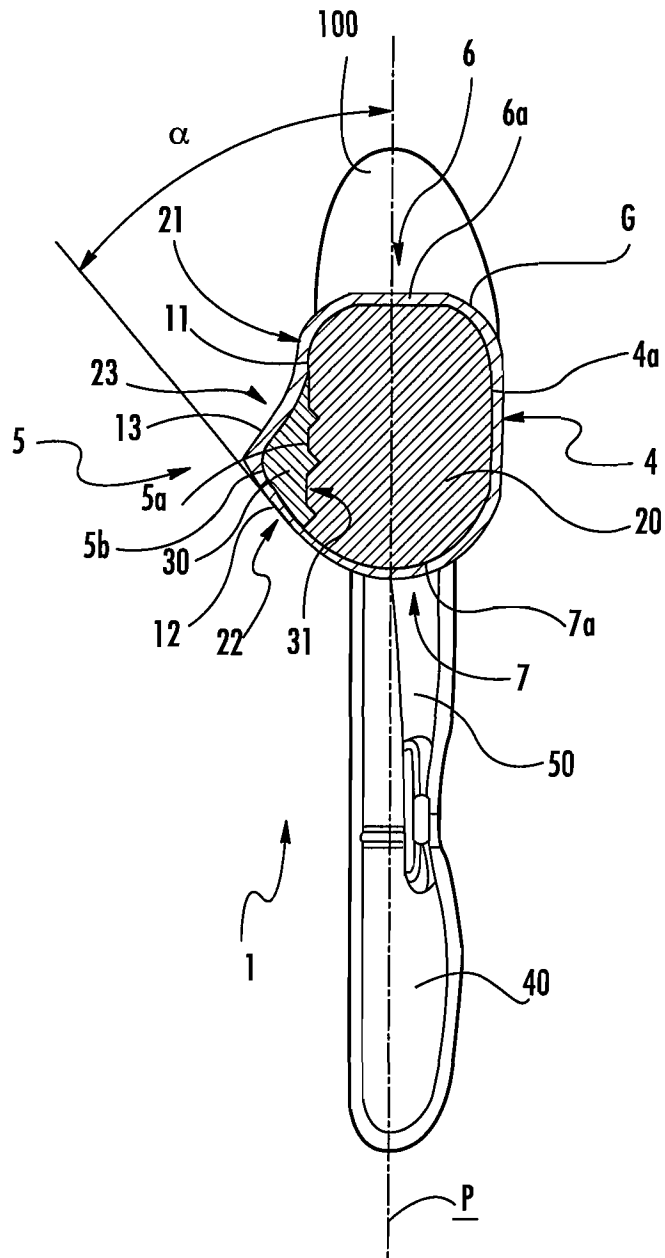


FIG. 6



REPLACEMENT SHEET

7/17

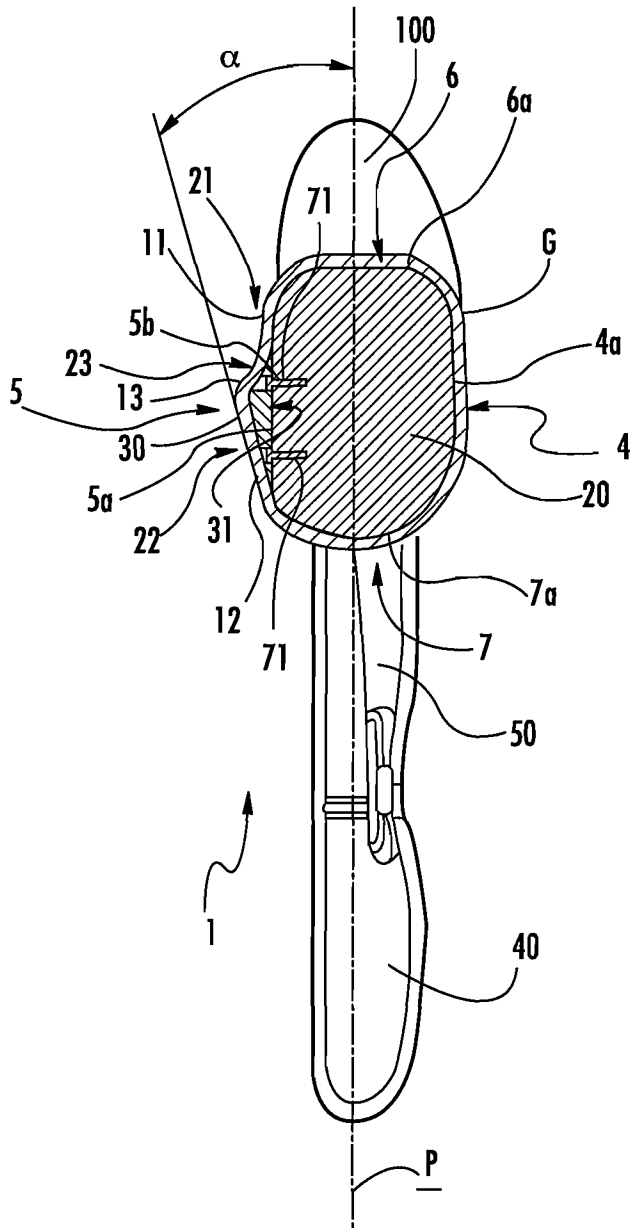


FIG. 8

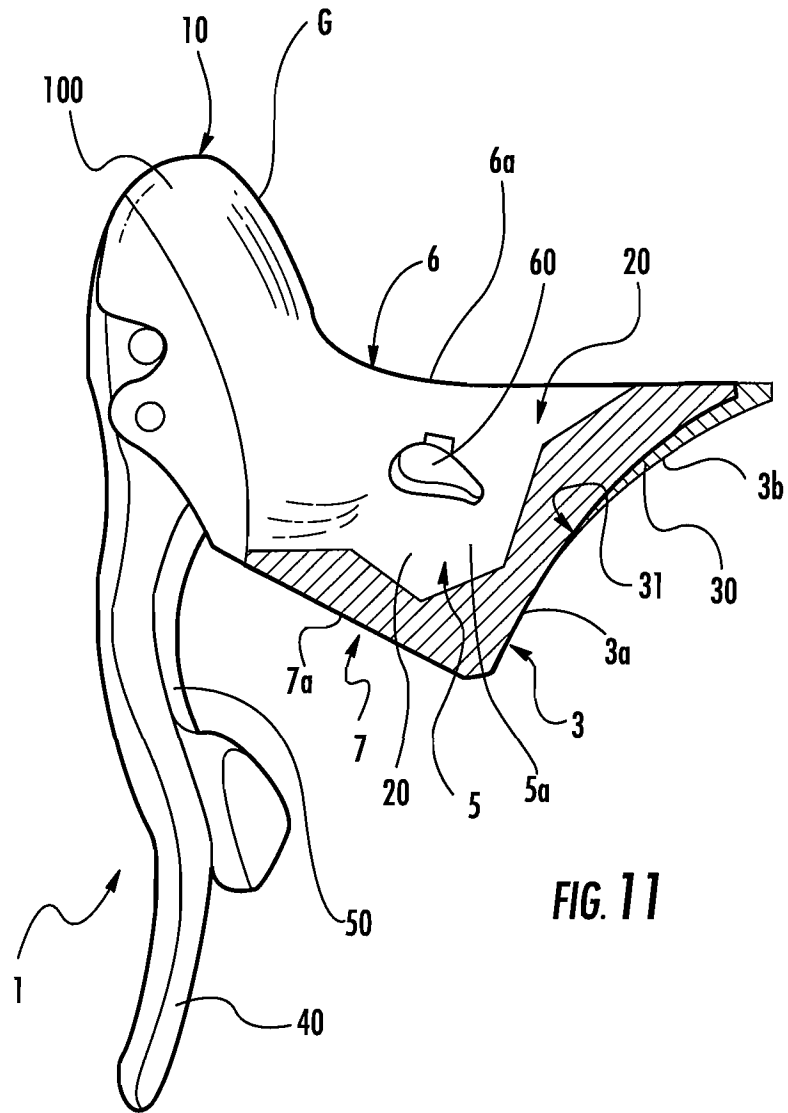






# REPLACEMENT SHEET

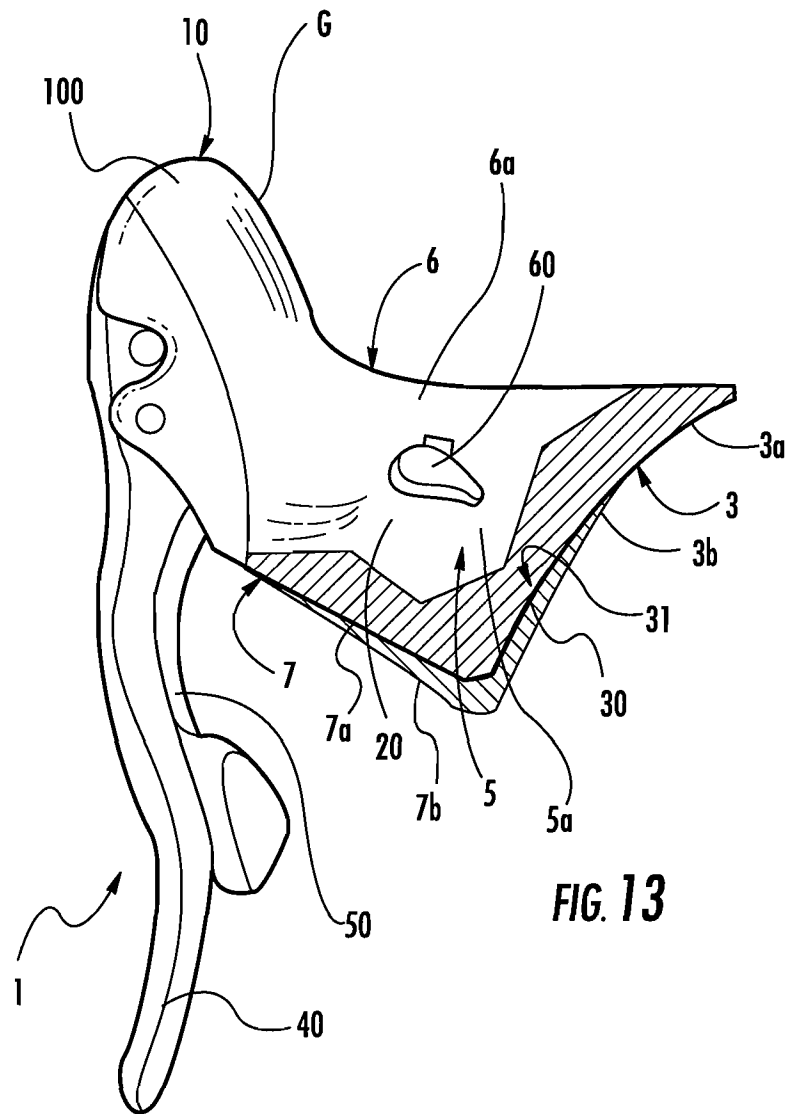
10/17





# REPLACEMENT SHEET

12/17



REPLACEMENT SHEET

13/17

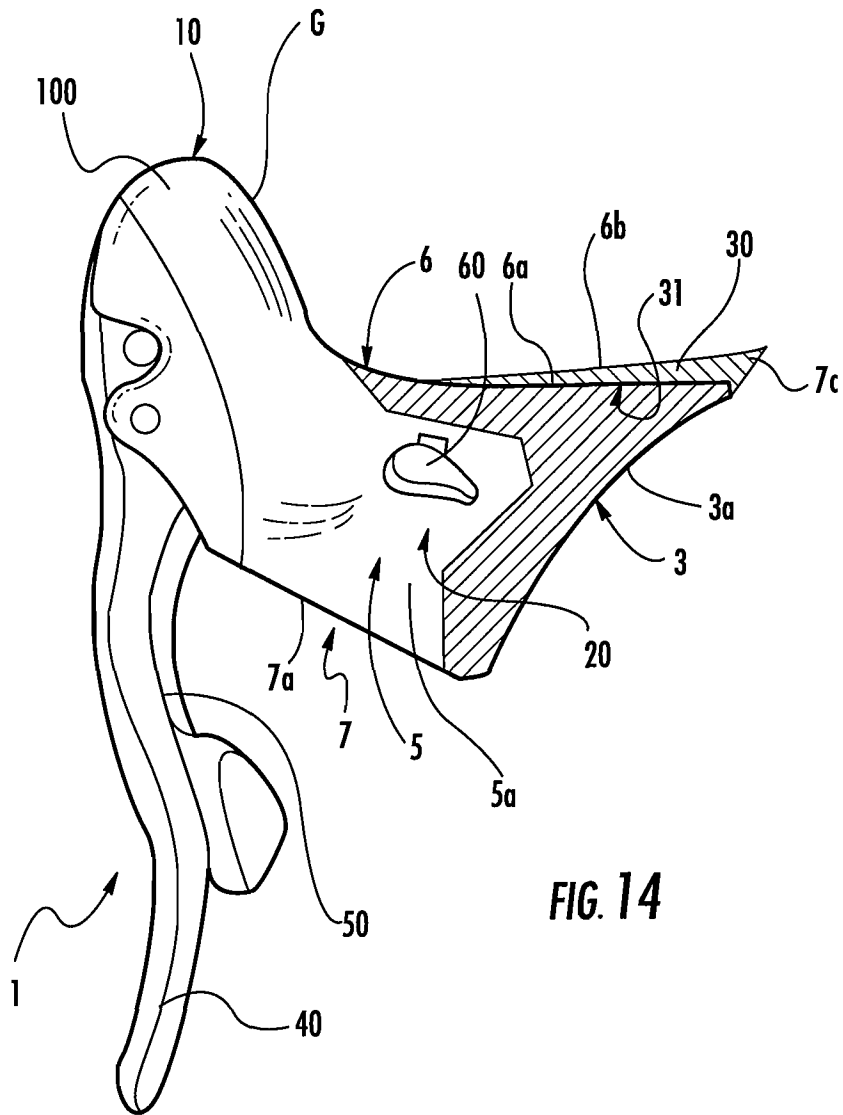


FIG. 14

REPLACEMENT SHEET

14/17

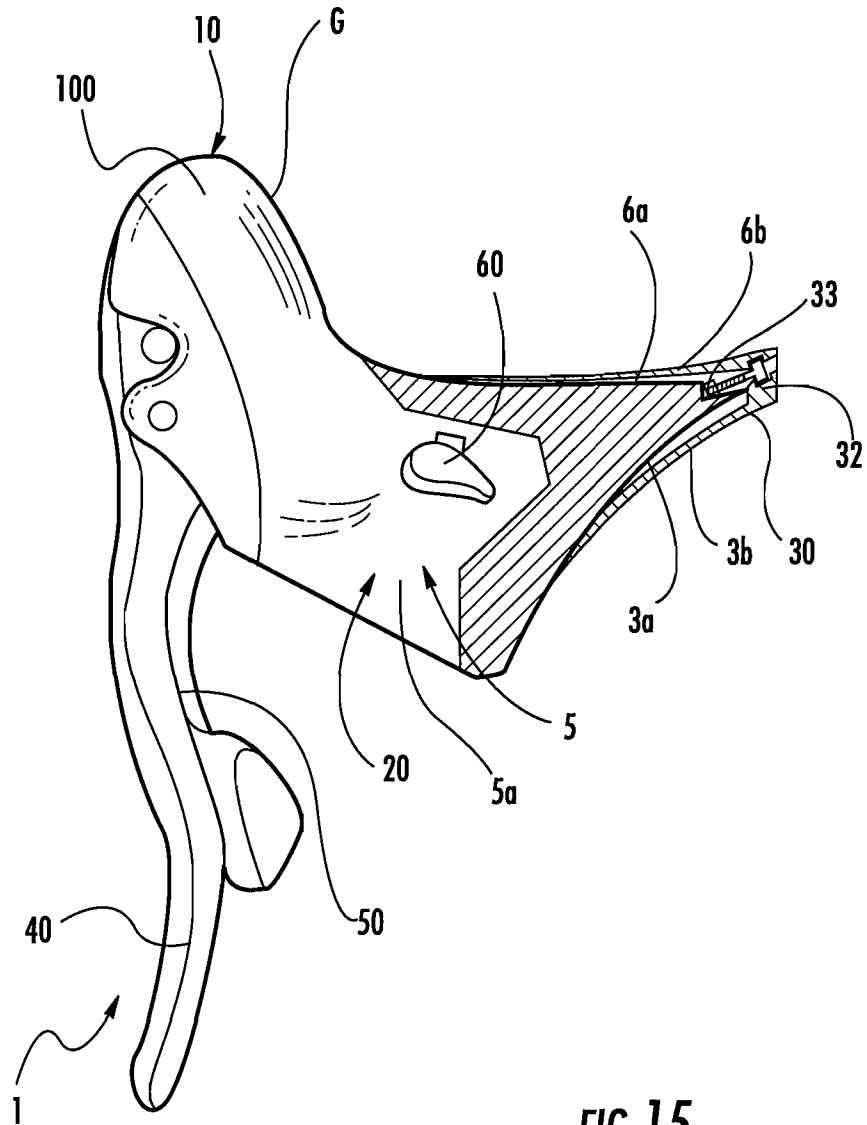


FIG. 15

REPLACEMENT SHEET

15/17

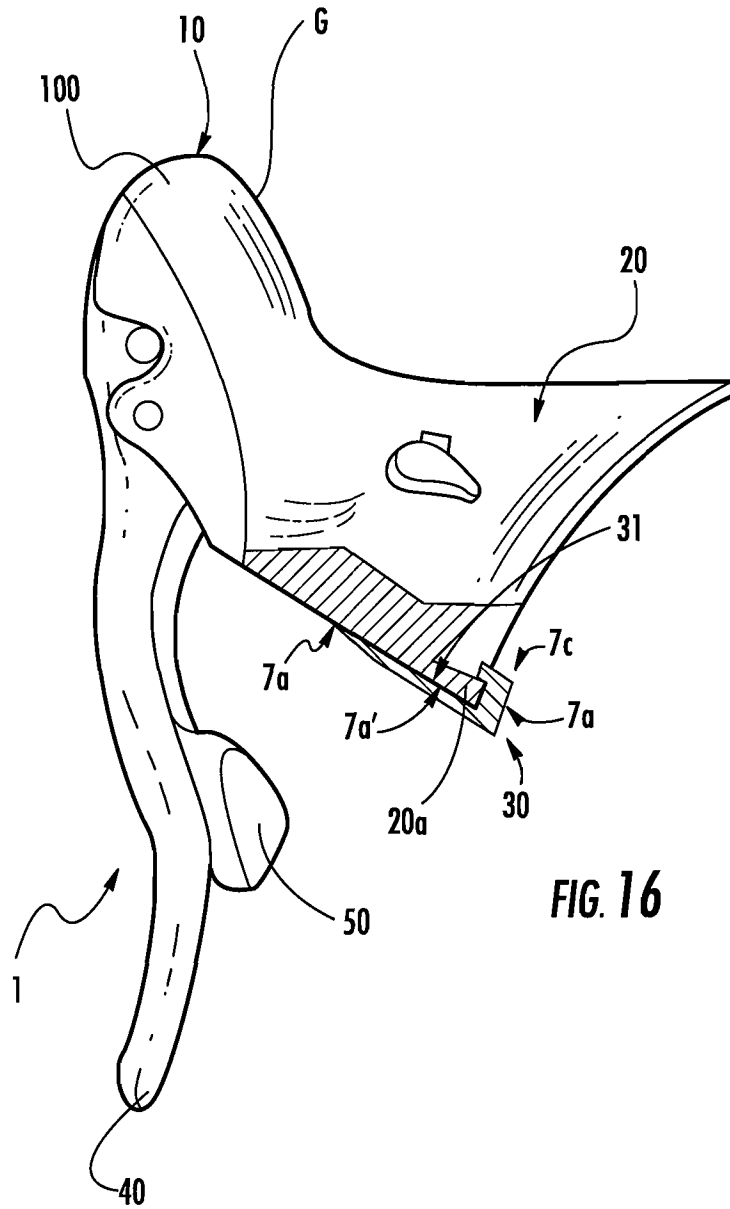
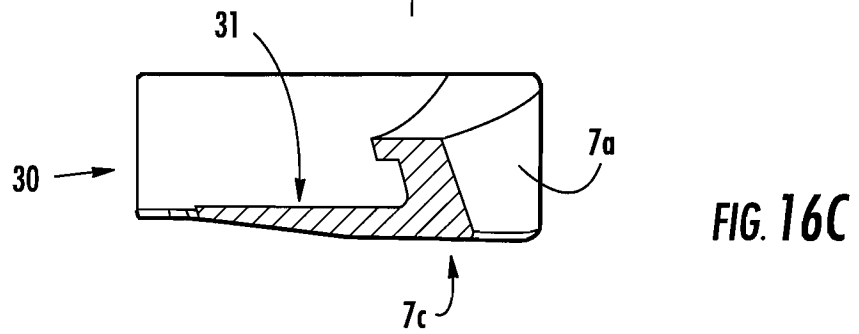
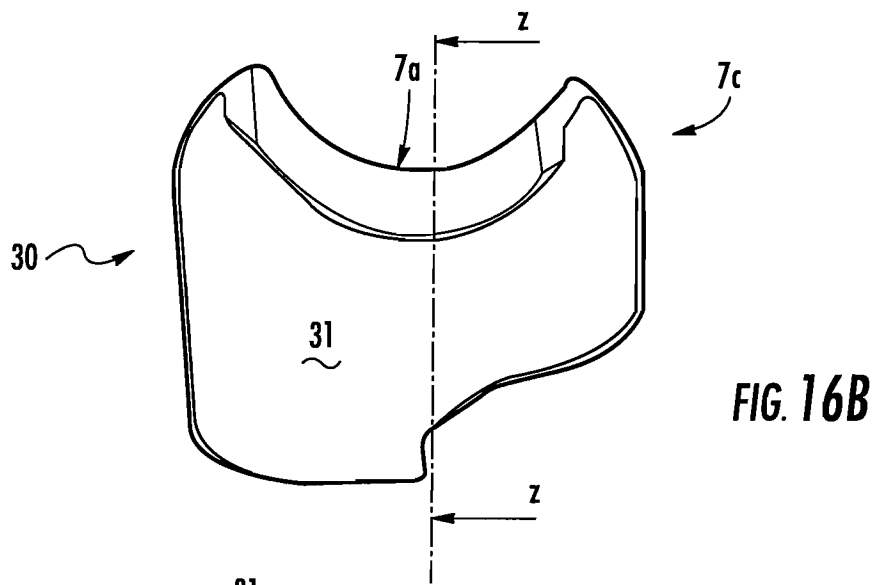
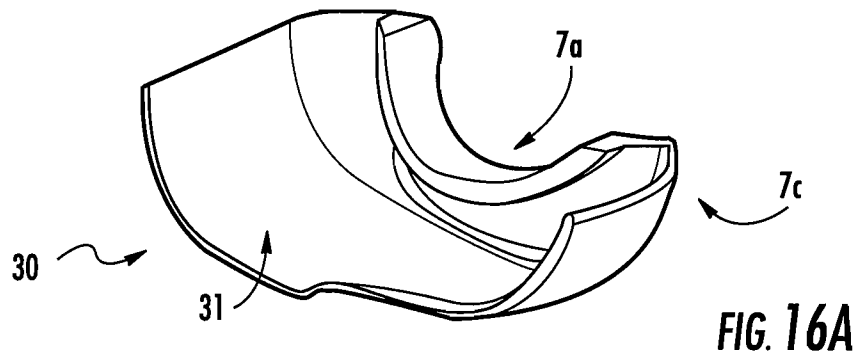


FIG. 16

# REPLACEMENT SHEET

16/17





REPLACEMENT SHEET

17/17

