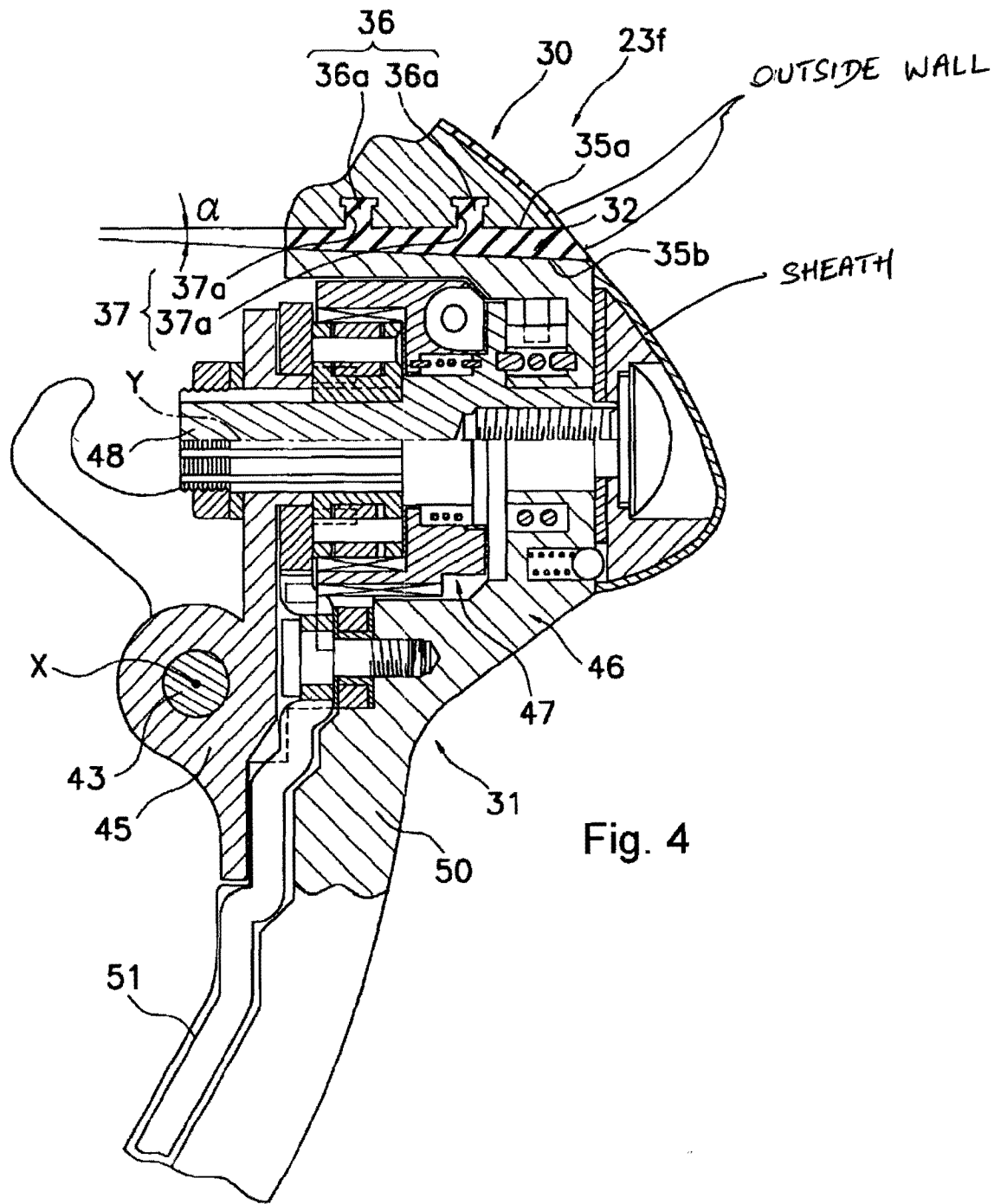


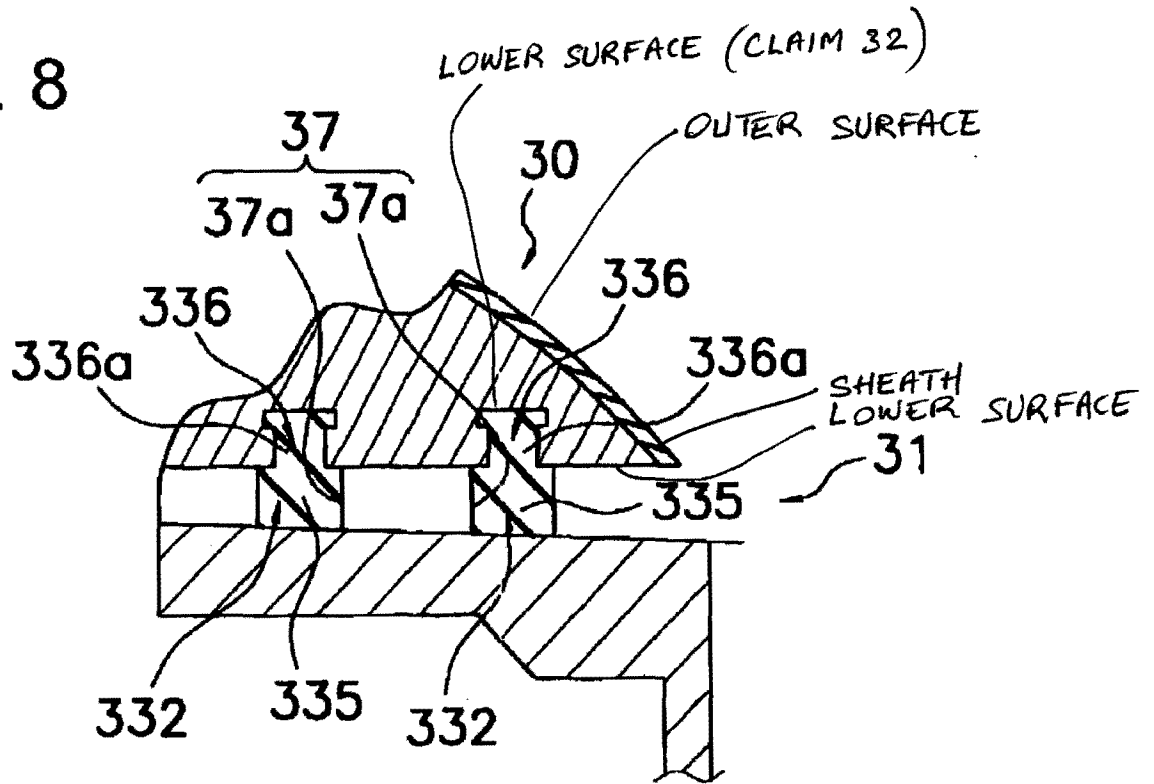
Fig. 3

APPENDIX # 1
PAGE 1 OF 3



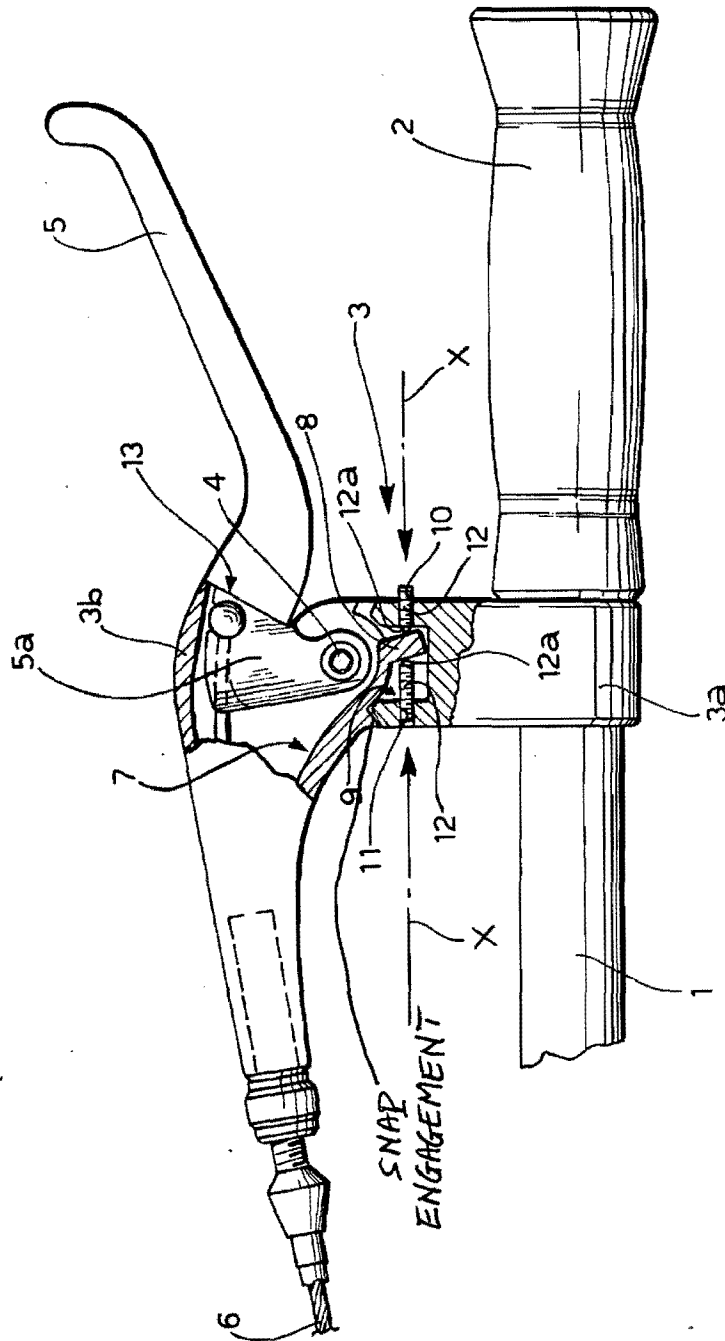
APPENDIX # 1
PAGE 2 OF 3

Fig. 8



APPENDIX # 1

PAGE 3 OF 3



APPENDIX # 2
✓