

REPLACEMENT SHEET

1/17

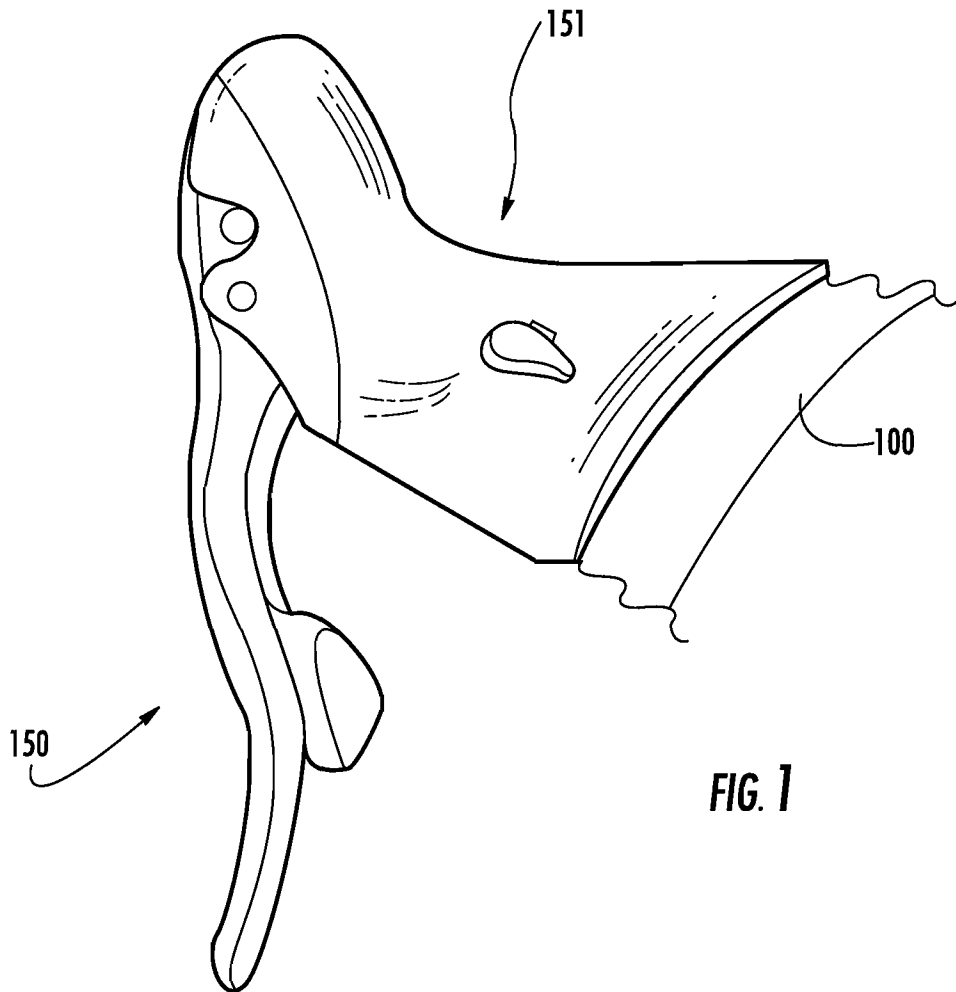


FIG. 1

REPLACEMENT SHEET

2/17

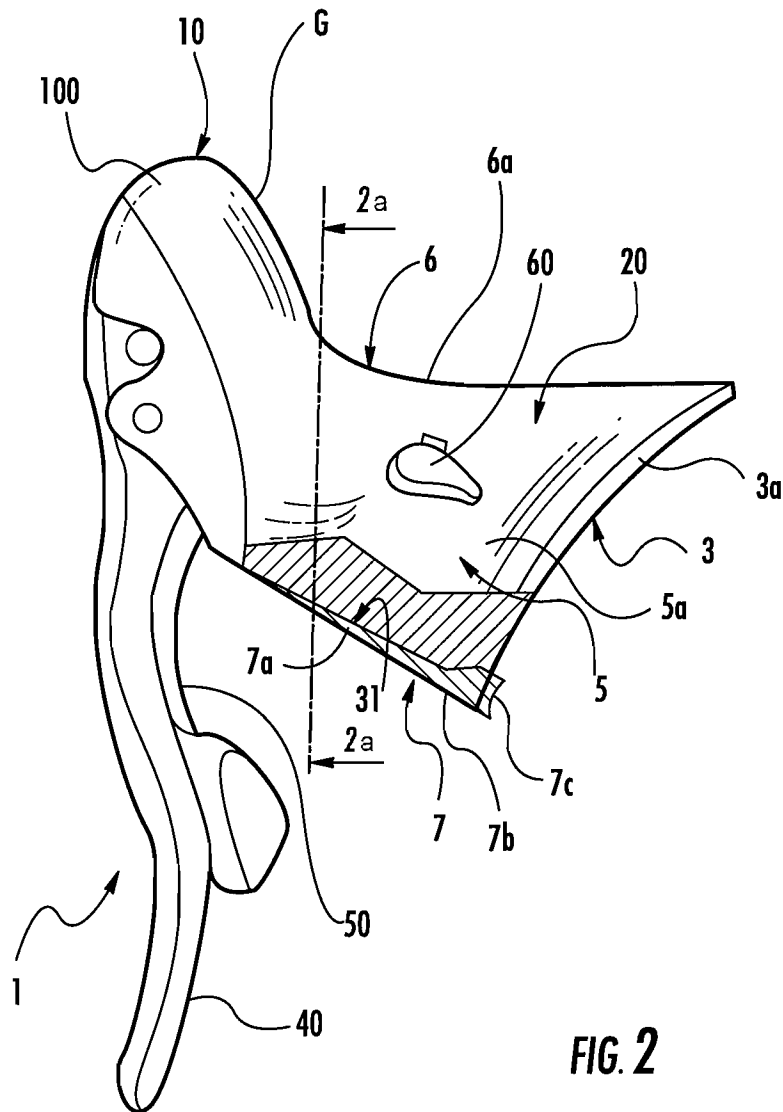
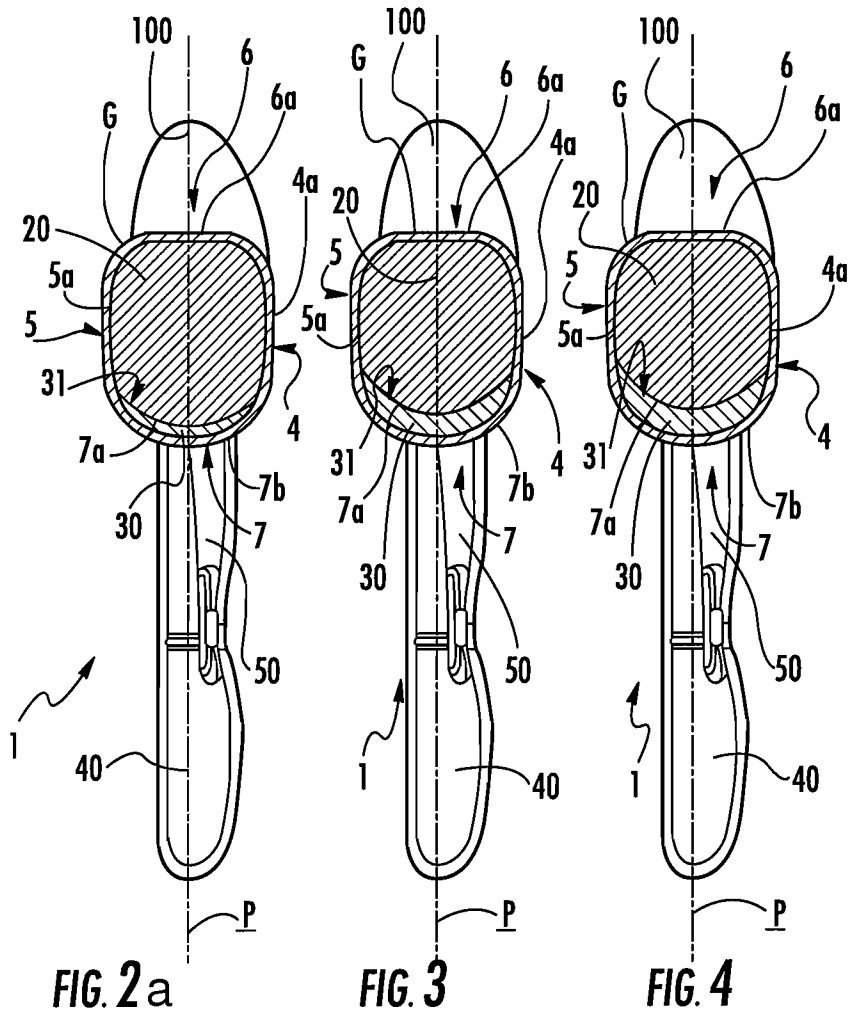


FIG. 2

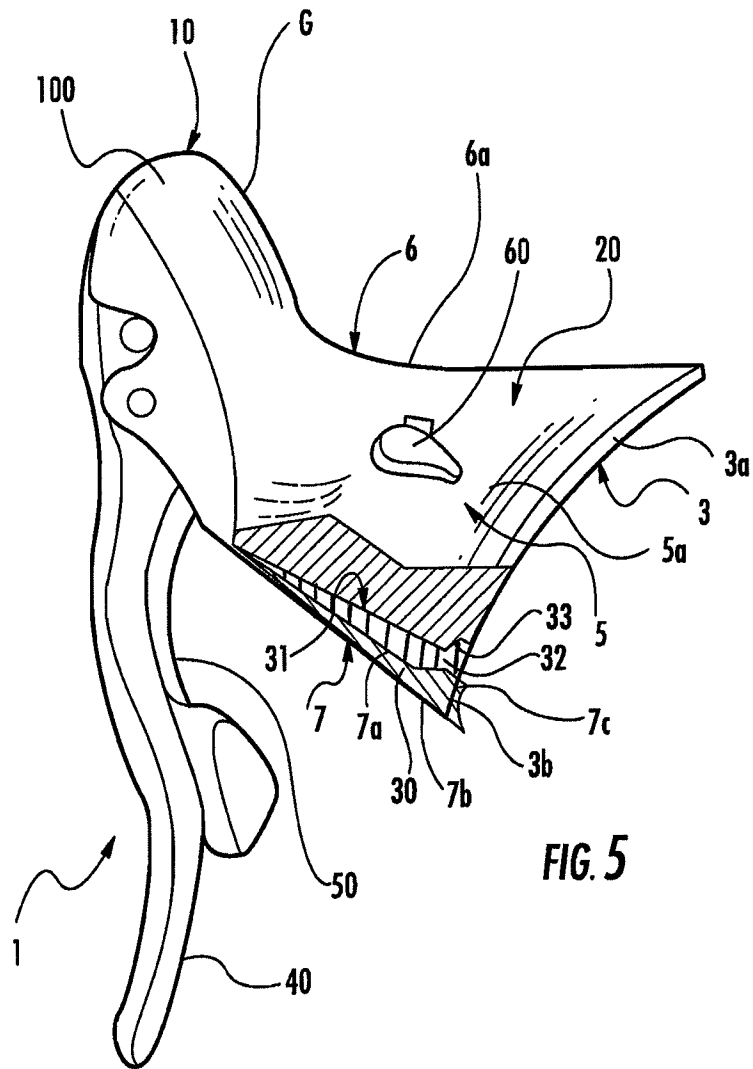
REPLACEMENT SHEET

3/17



REPLACEMENT SHEET

4/17



REPLACEMENT SHEET

5/17

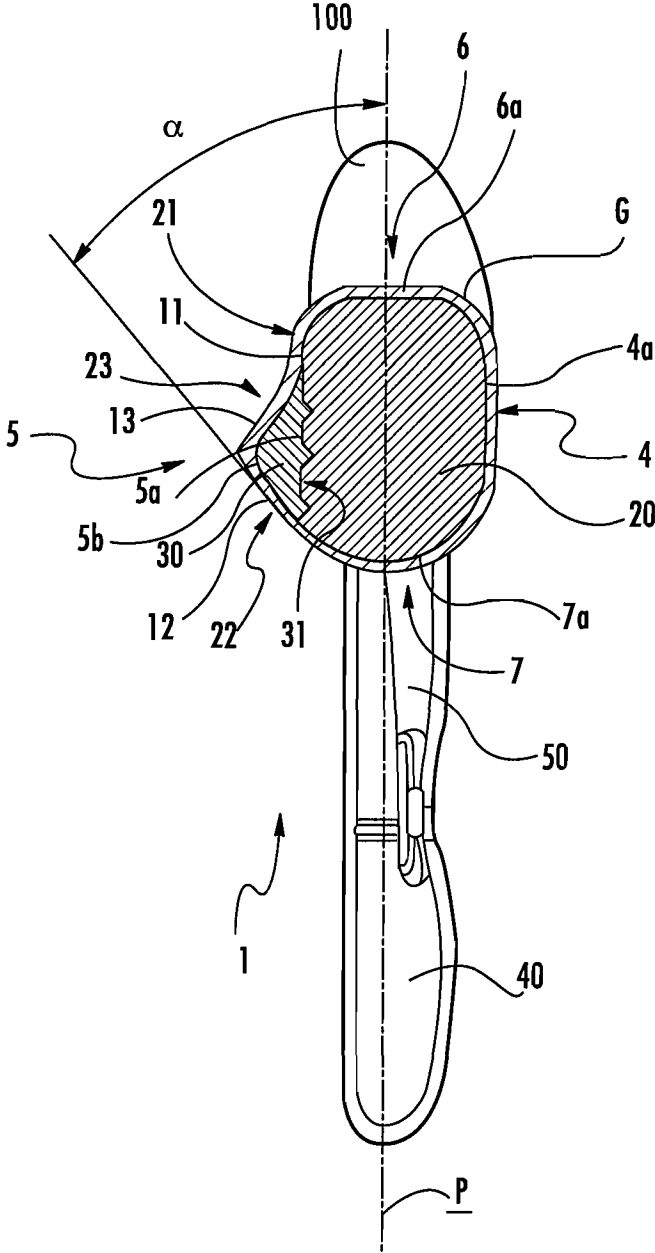


FIG. 6

REPLACEMENT SHEET

6/17

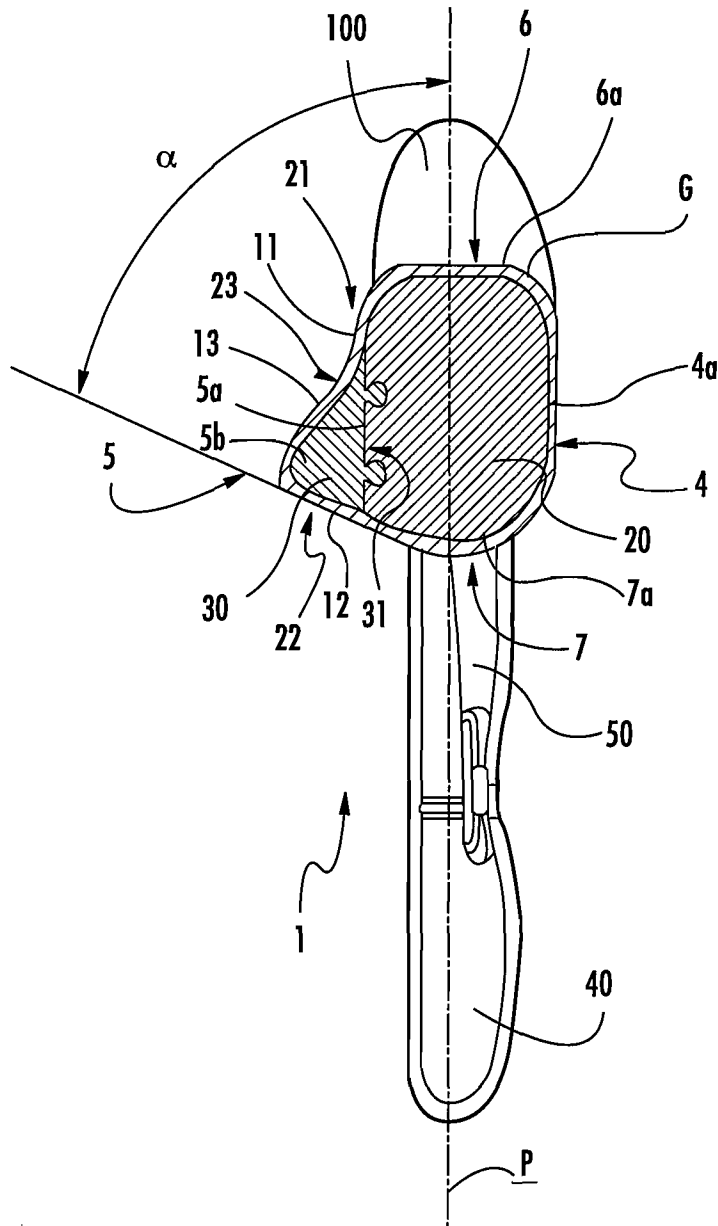


FIG. 7

REPLACEMENT SHEET

7/17

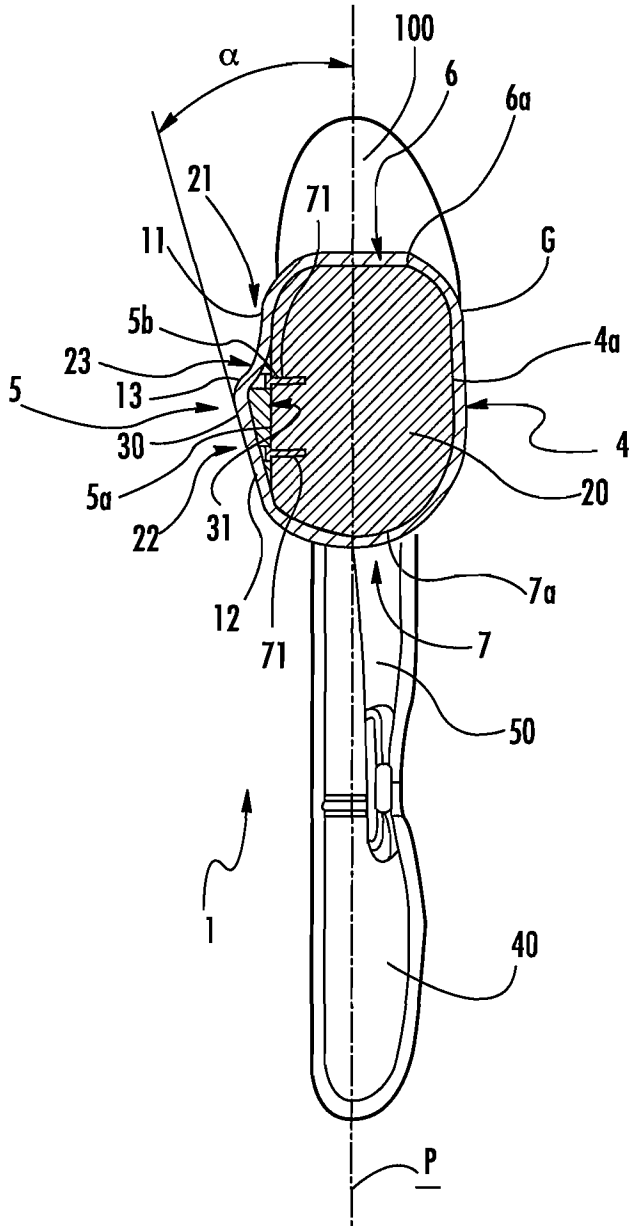


FIG. 8

REPLACEMENT SHEET

8/17

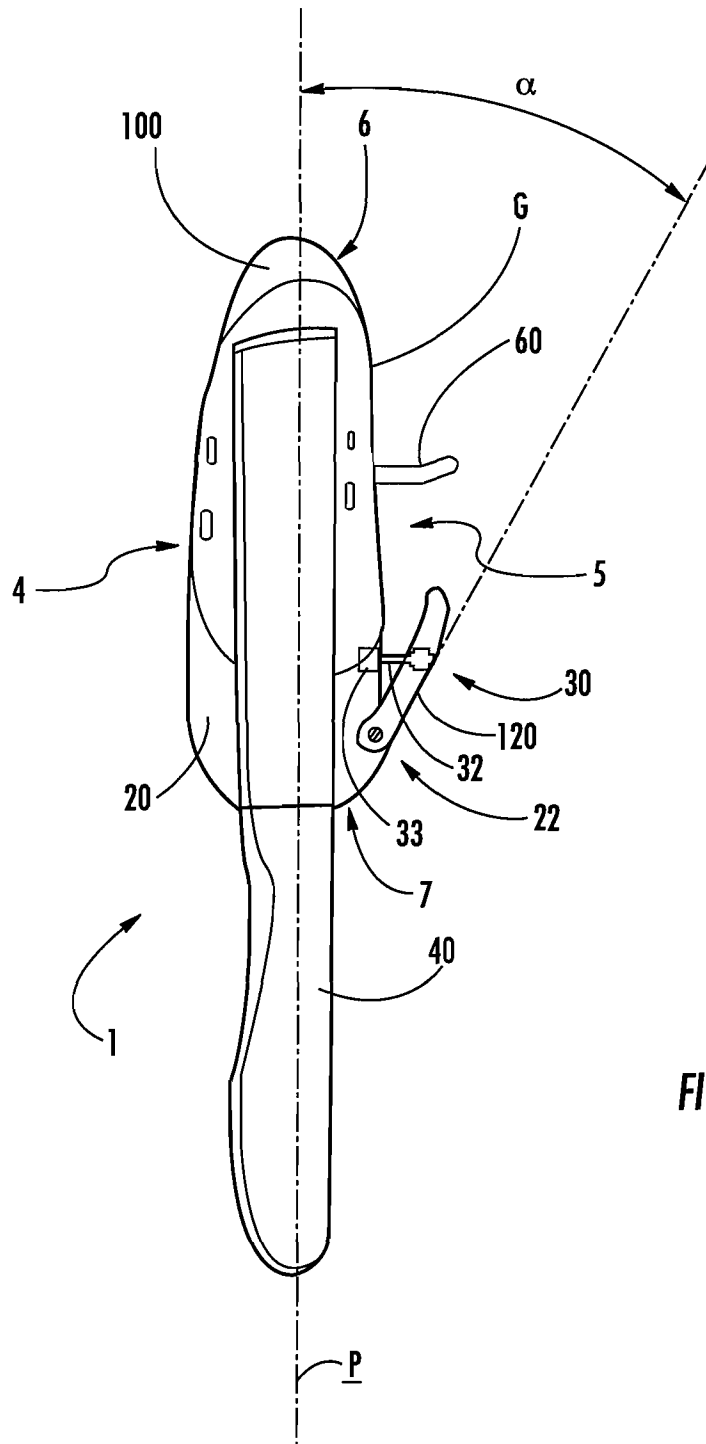
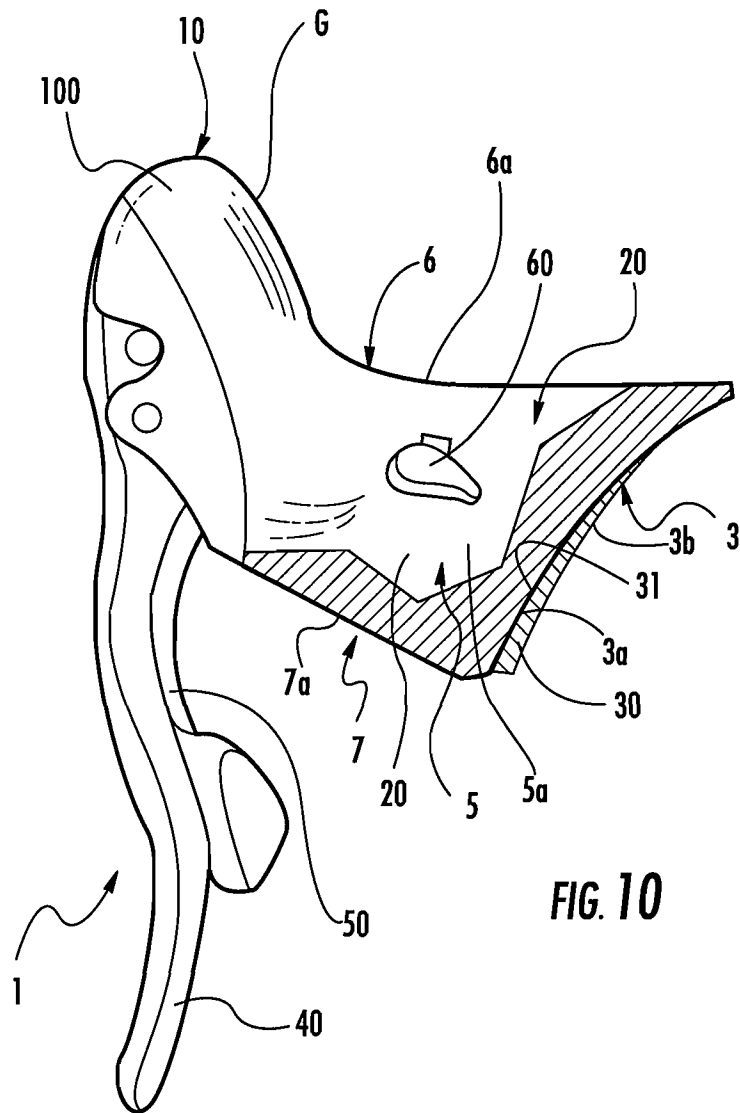


FIG. 9

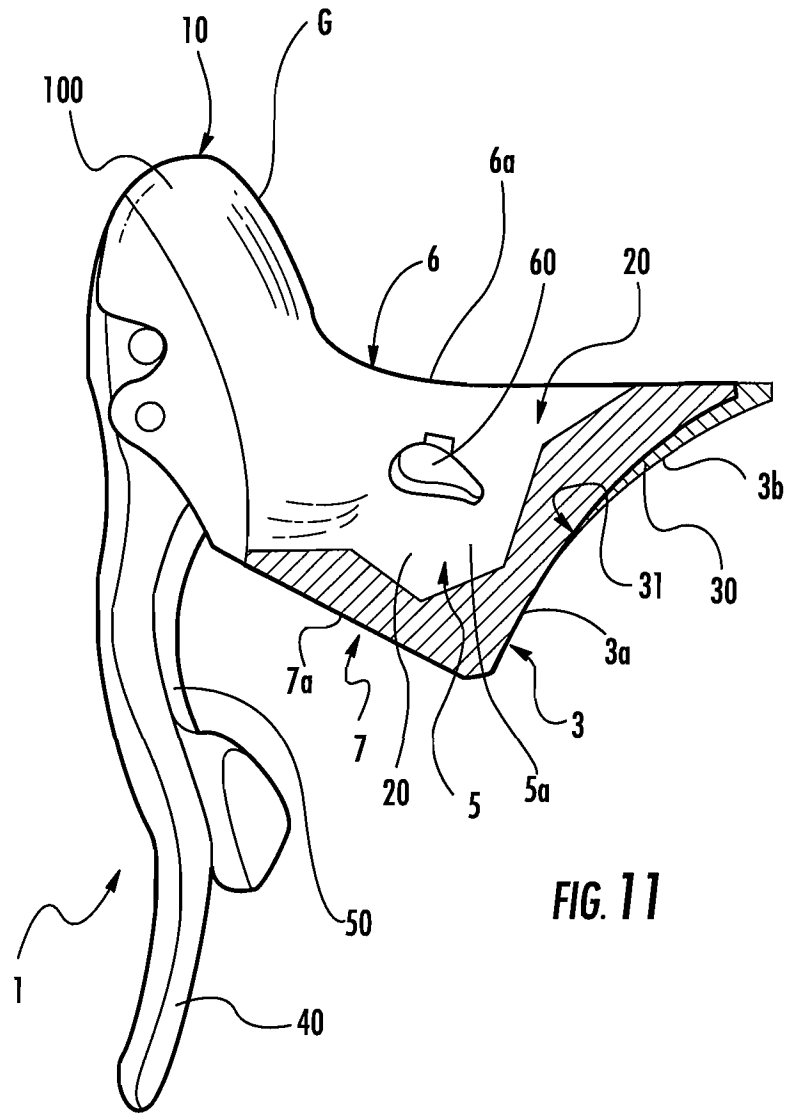
REPLACEMENT SHEET

9/17



REPLACEMENT SHEET

10/17



REPLACEMENT SHEET

11/17

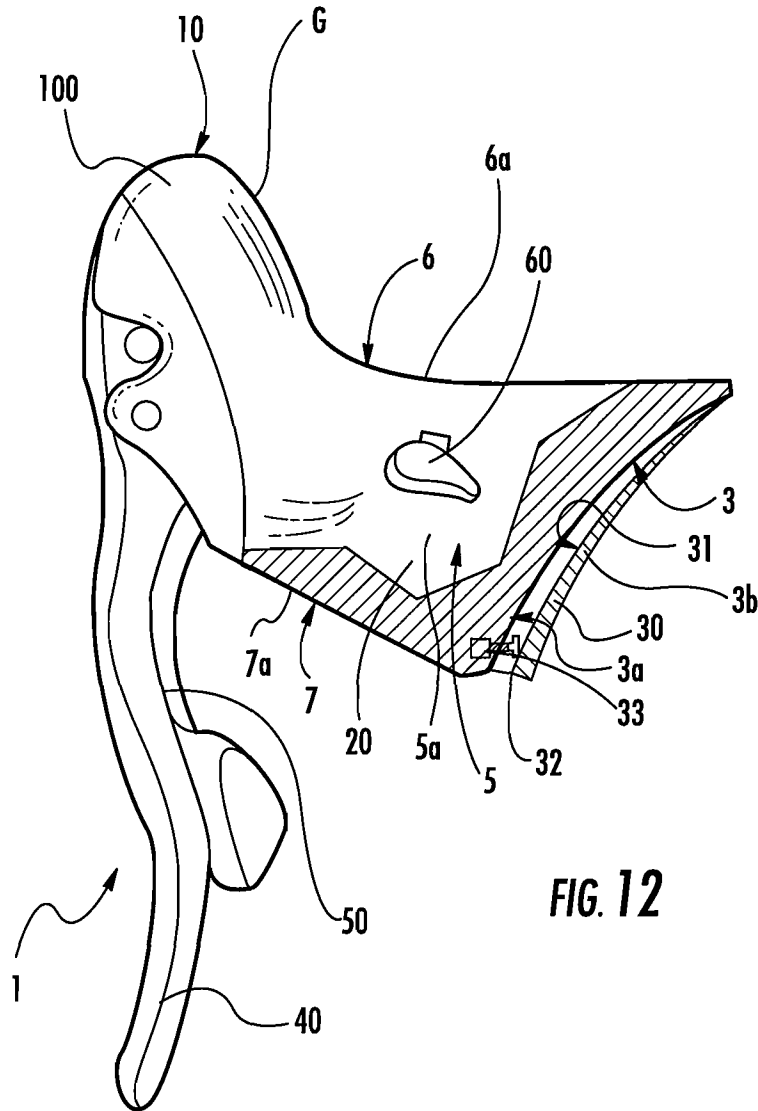


FIG. 12

REPLACEMENT SHEET

12/17

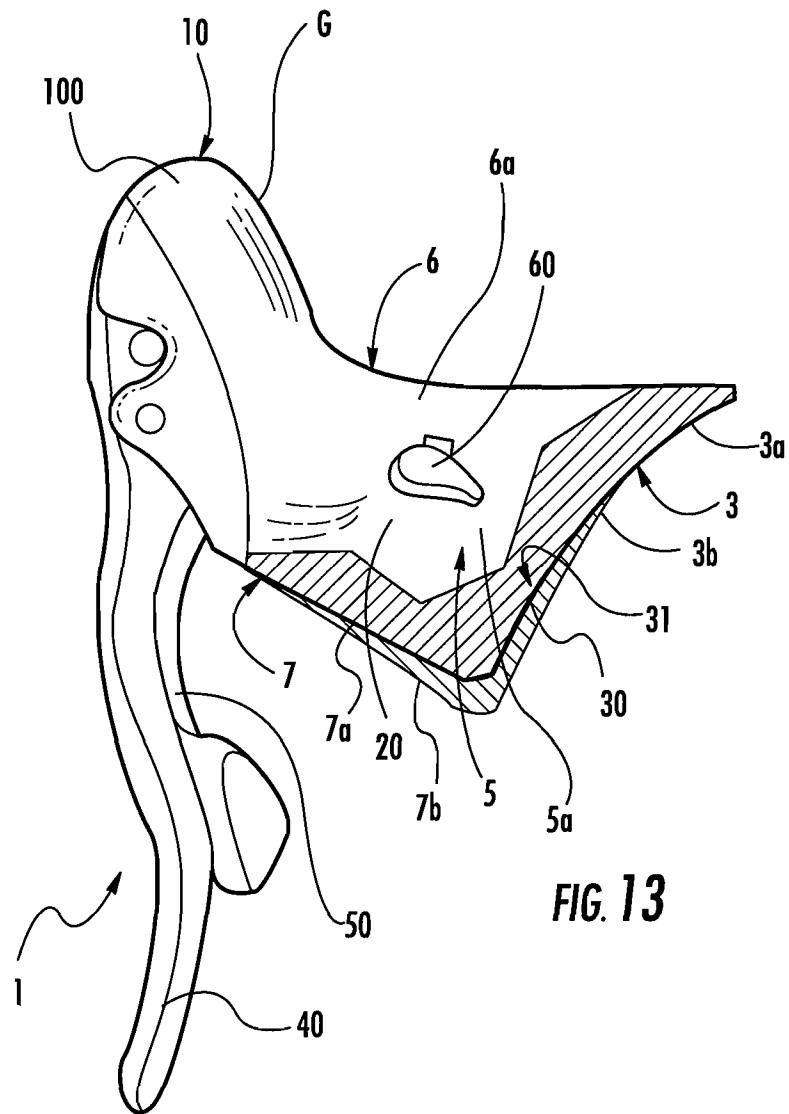


FIG. 13

REPLACEMENT SHEET

13/17

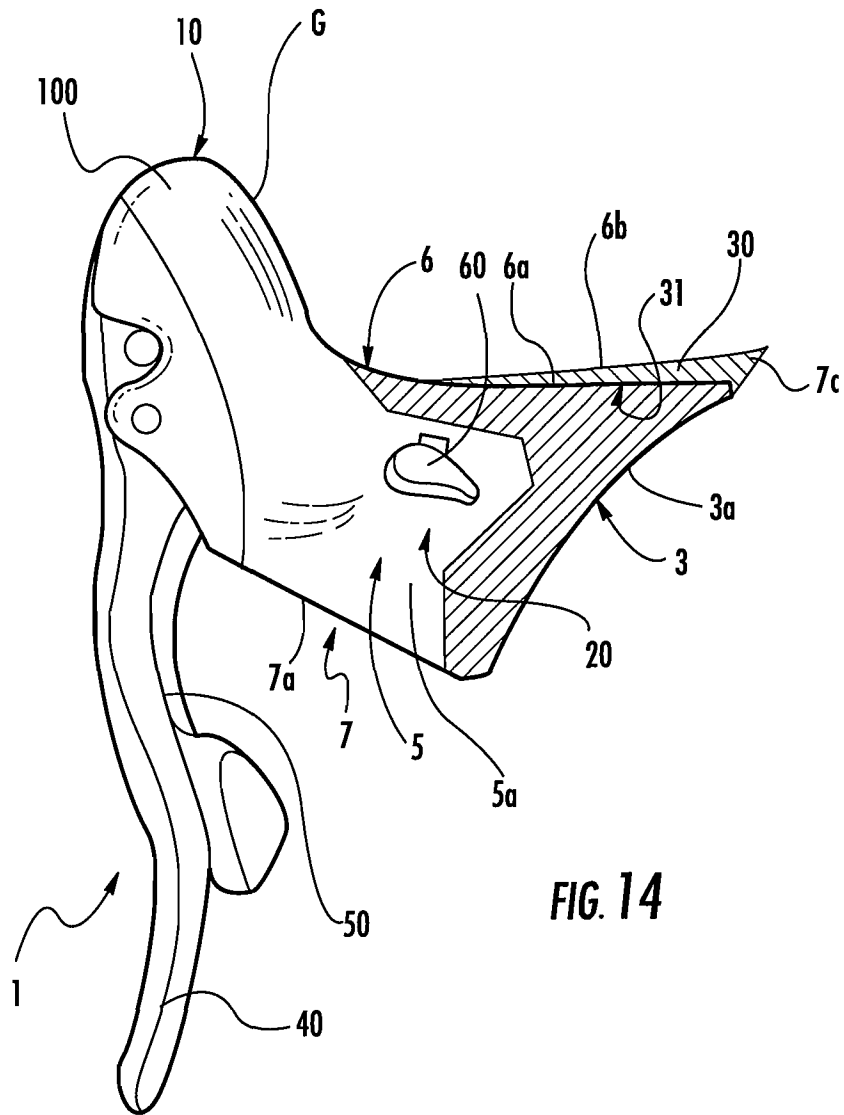


FIG. 14

REPLACEMENT SHEET

14/17

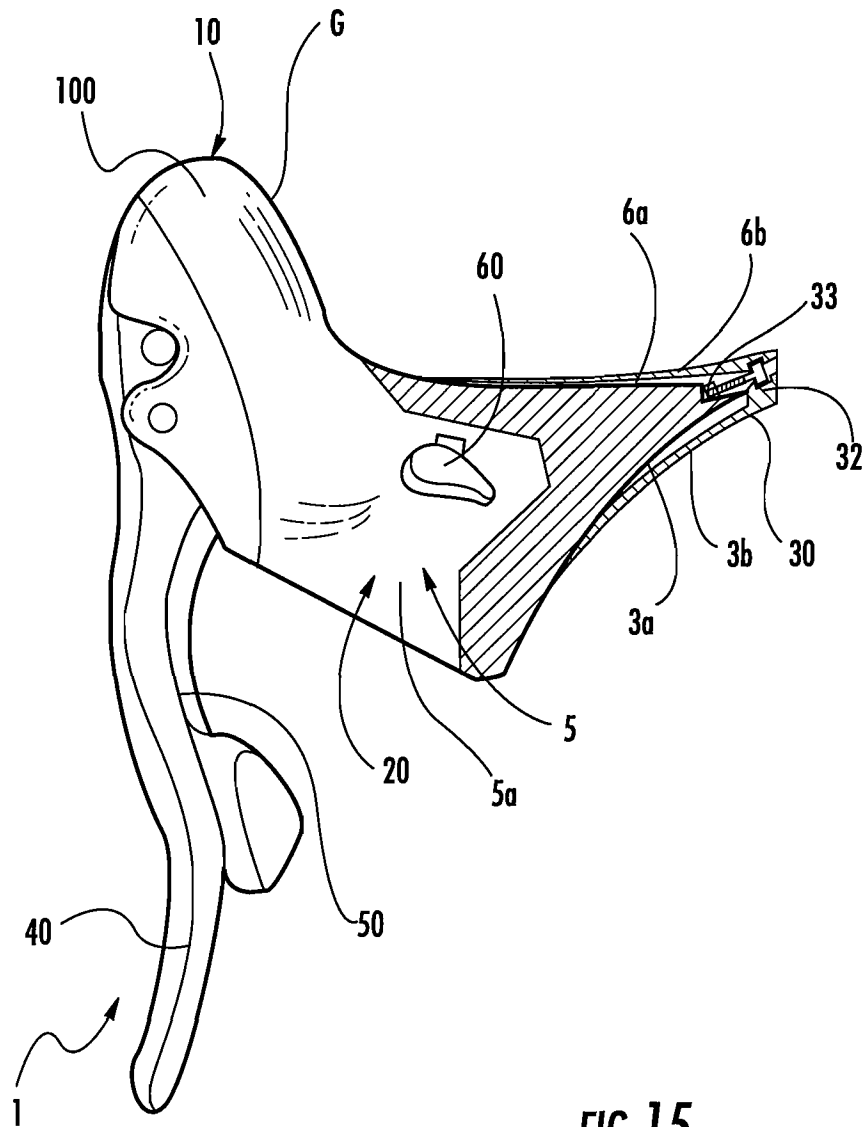


FIG. 15

REPLACEMENT SHEET

15/17

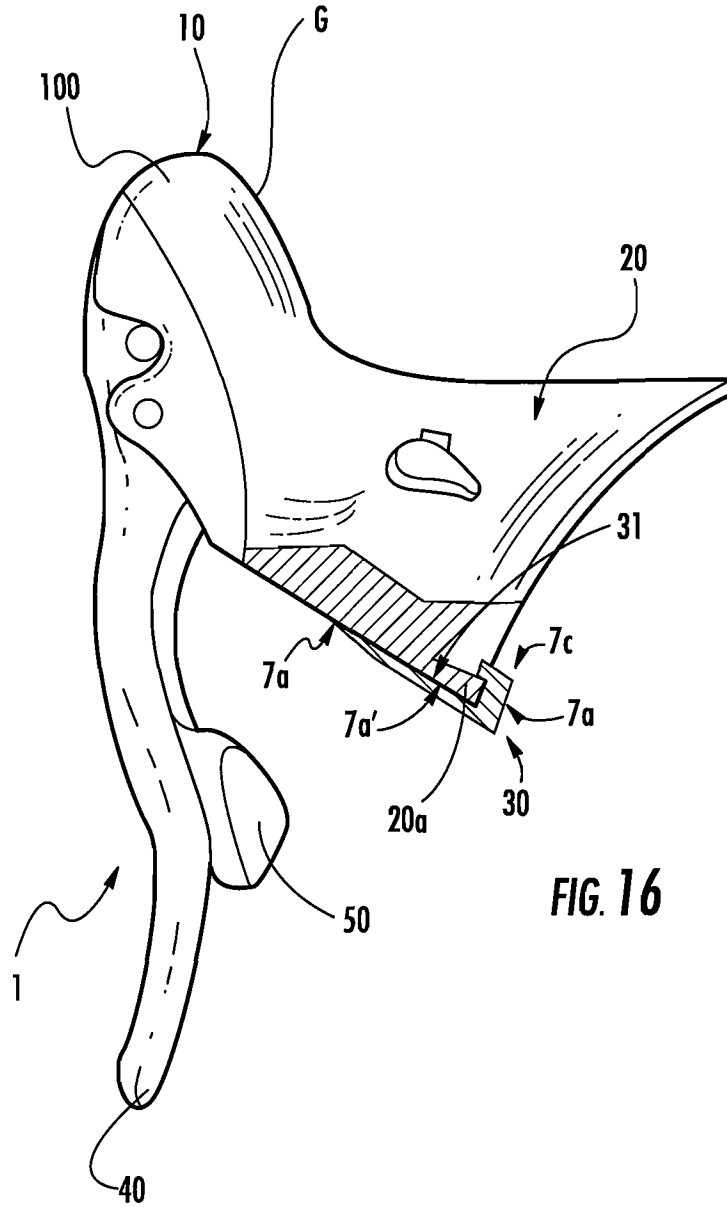
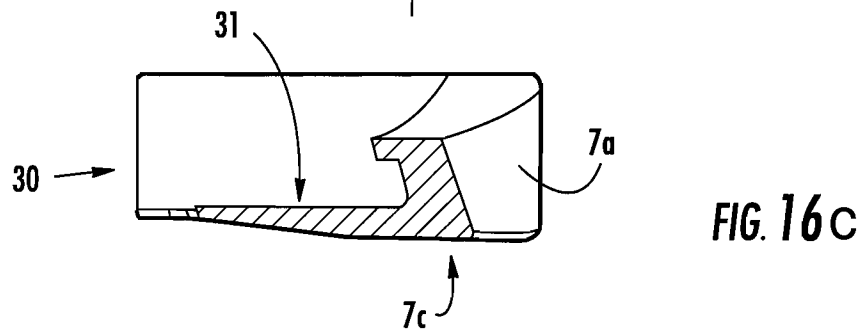
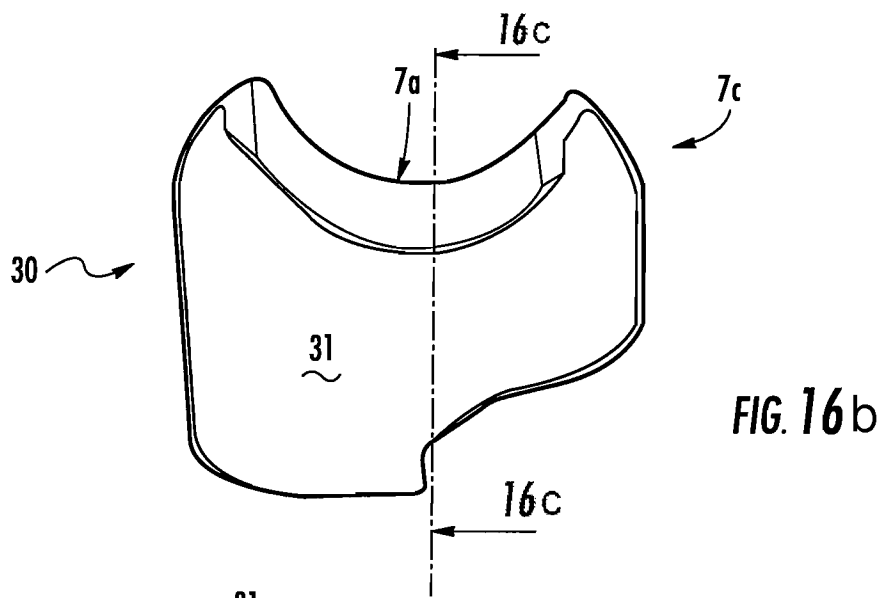
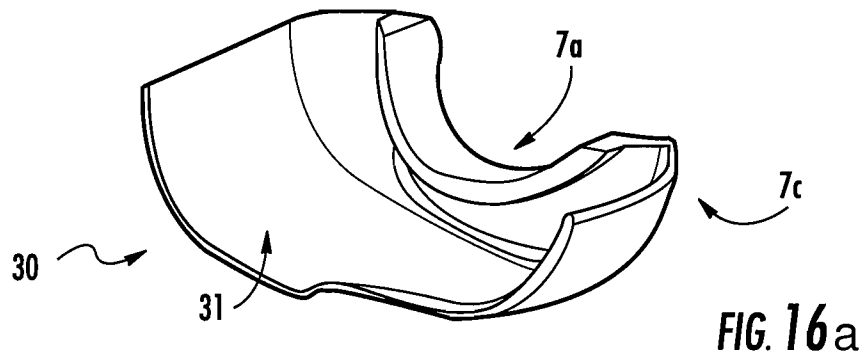


FIG. 16

REPLACEMENT SHEET

16/17



REPLACEMENT SHEET

17/17

