

Fig. 6

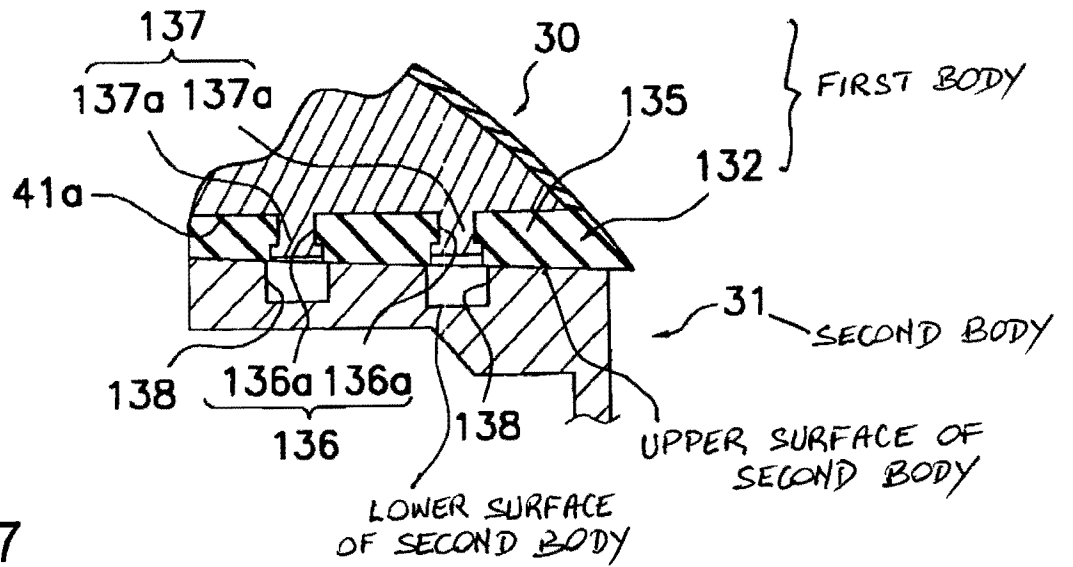
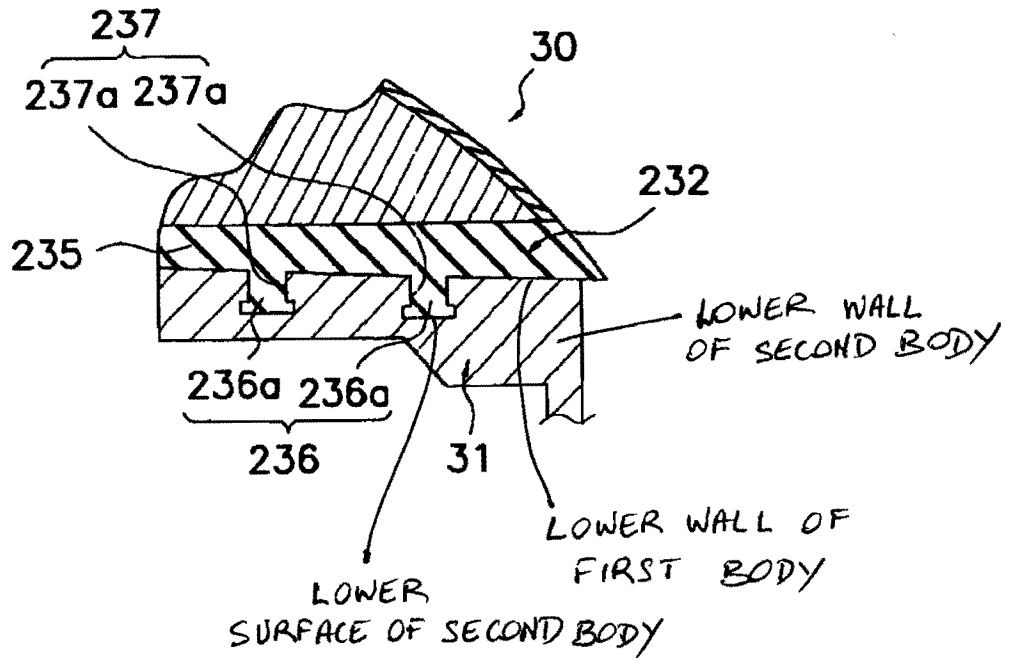


Fig. 7



APPENDIX
#

P. 1 OF 3

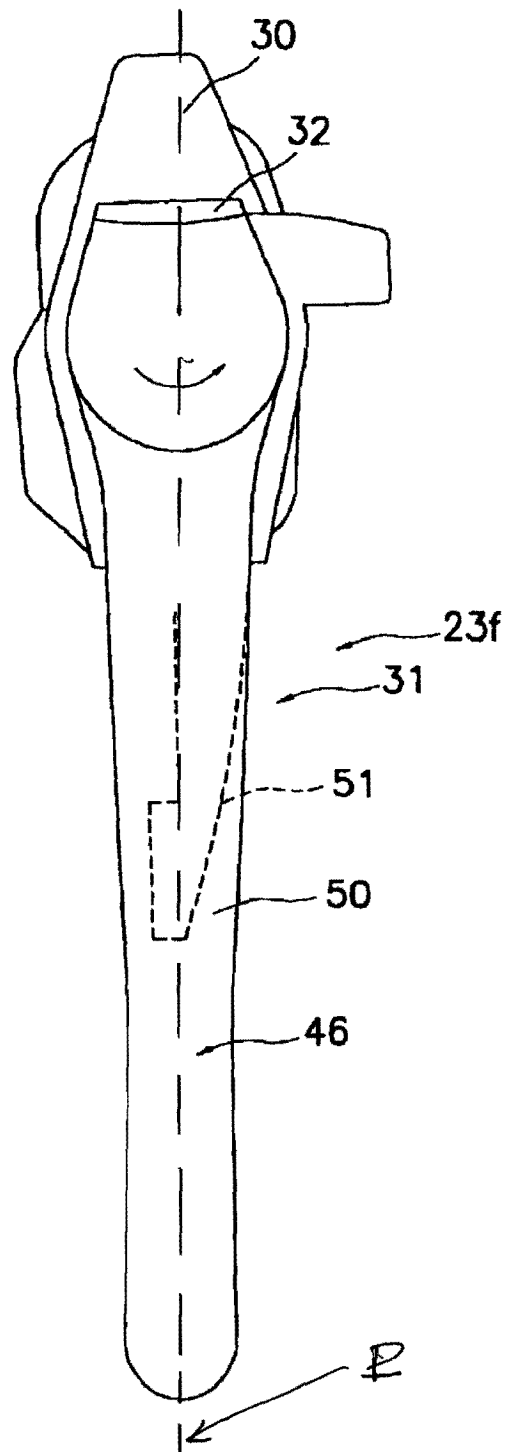
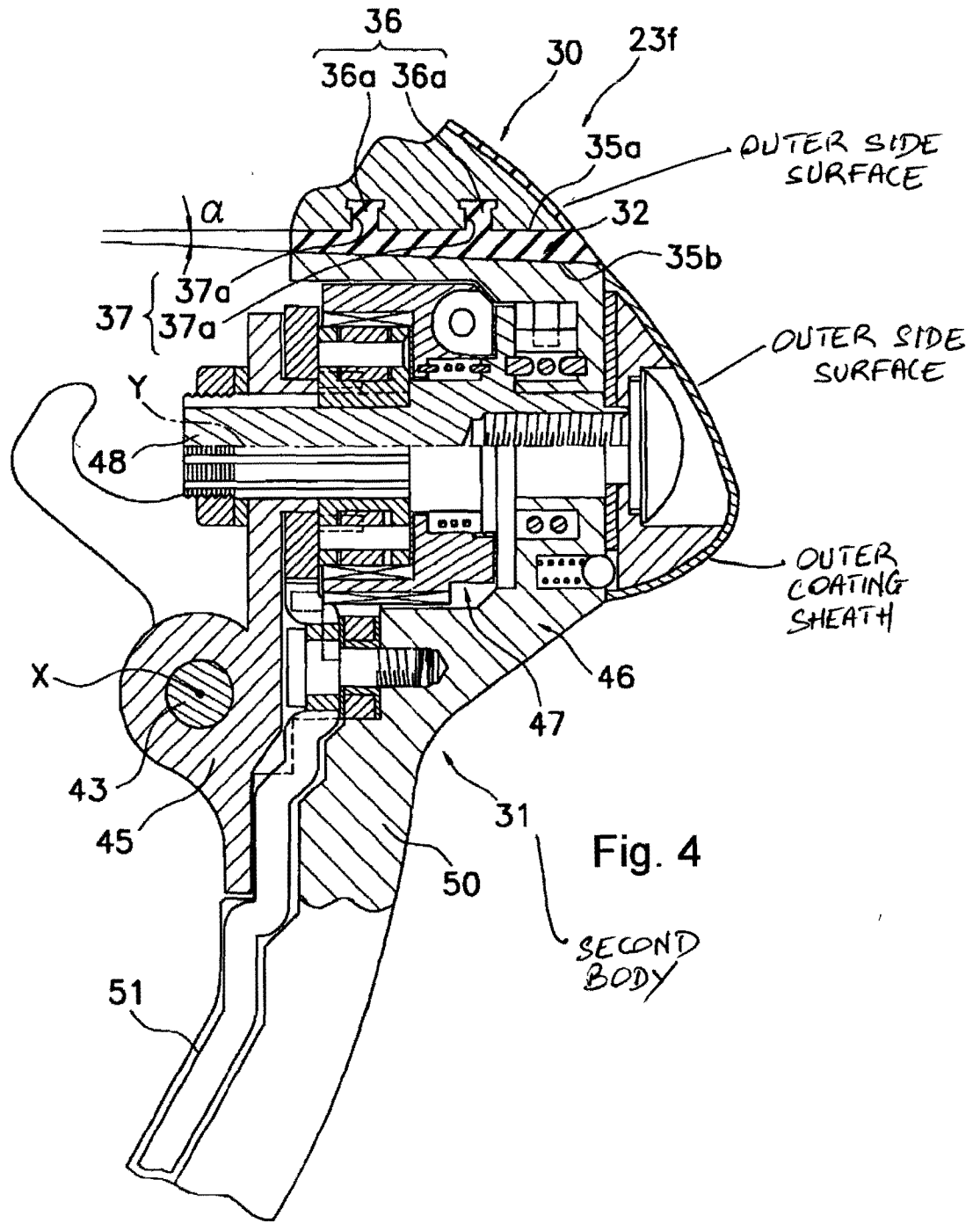


Fig. 3

APPENDIX
#

P. 2 OF 3



APPENDIX

P. 3 OF 3