

Fig. 2

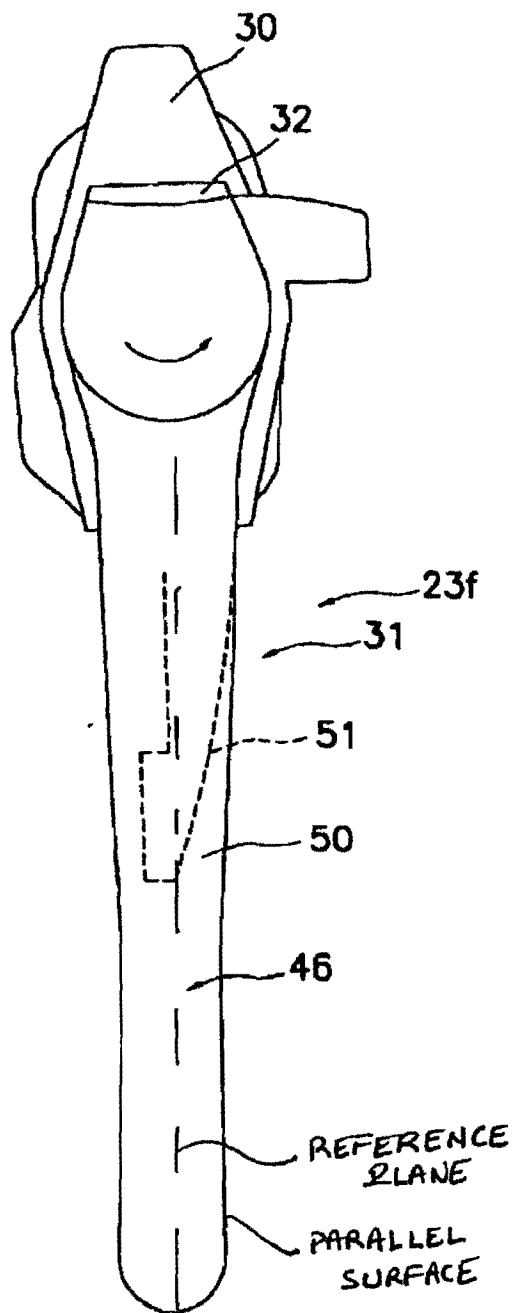
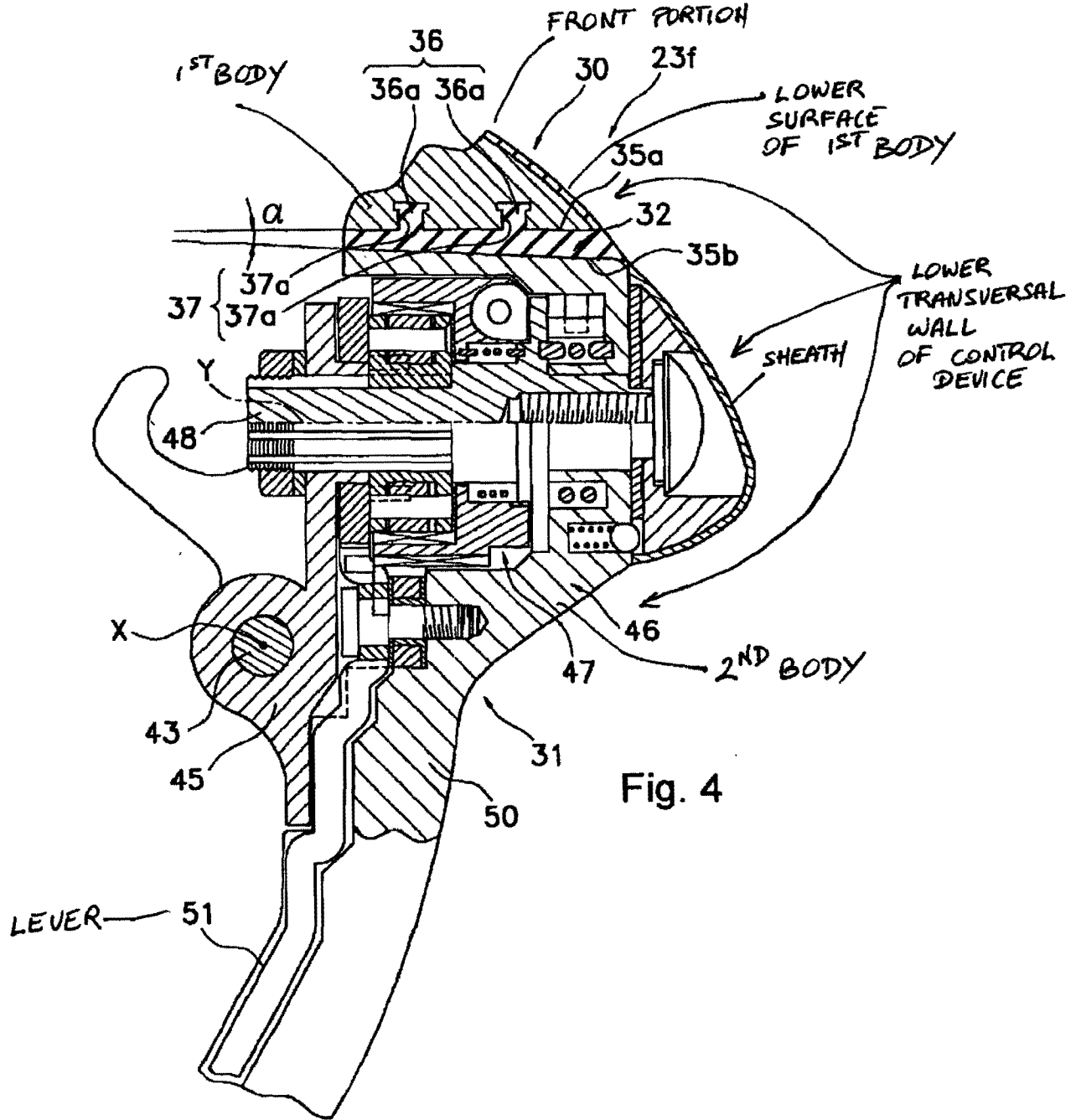


Fig. 3

APPENDIX

P. 2 OF 5



APPENDIX
P. 3 OF 5

Fig. 6

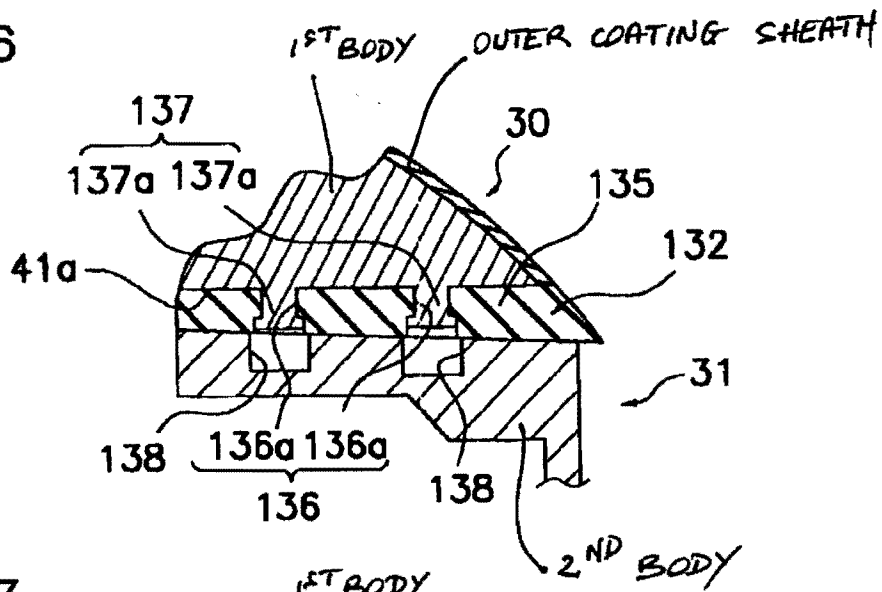
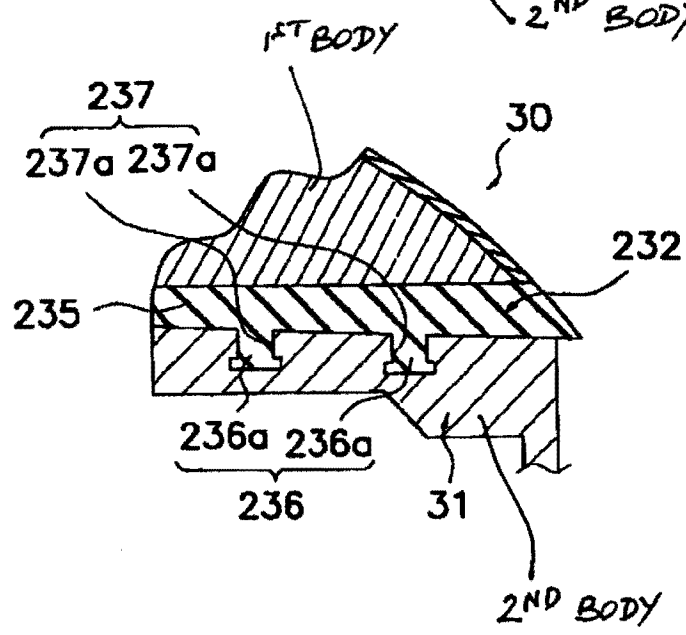


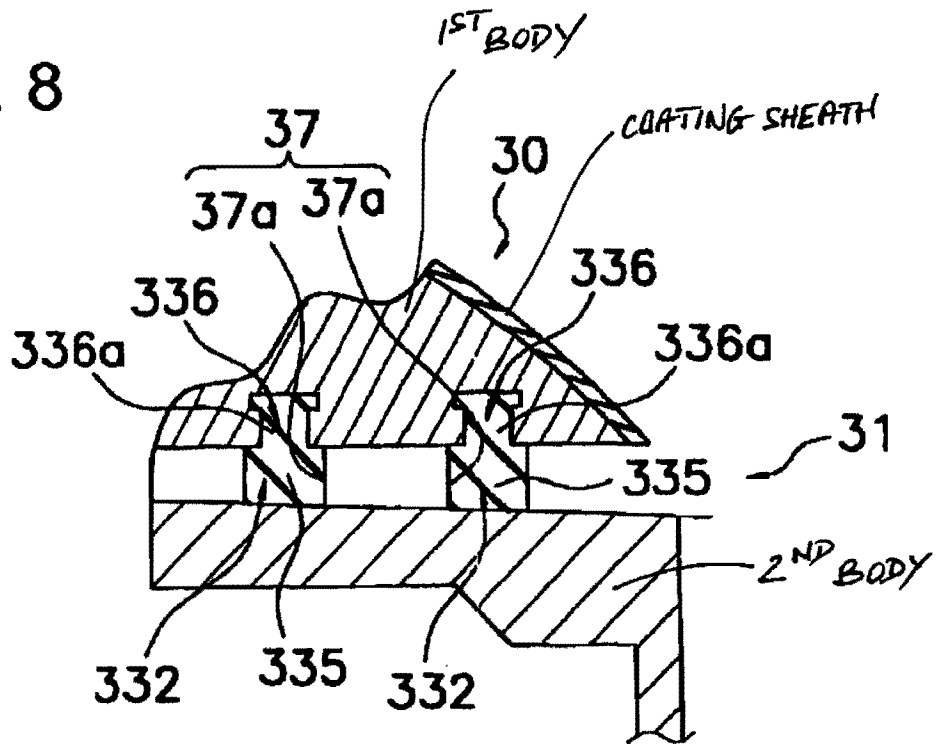
Fig. 7



APPENDIX
#

P. 4 OF 5

Fig. 8



APPENDIX
P. 5 OF 5