

REPLACEMENT SHEET

1/14

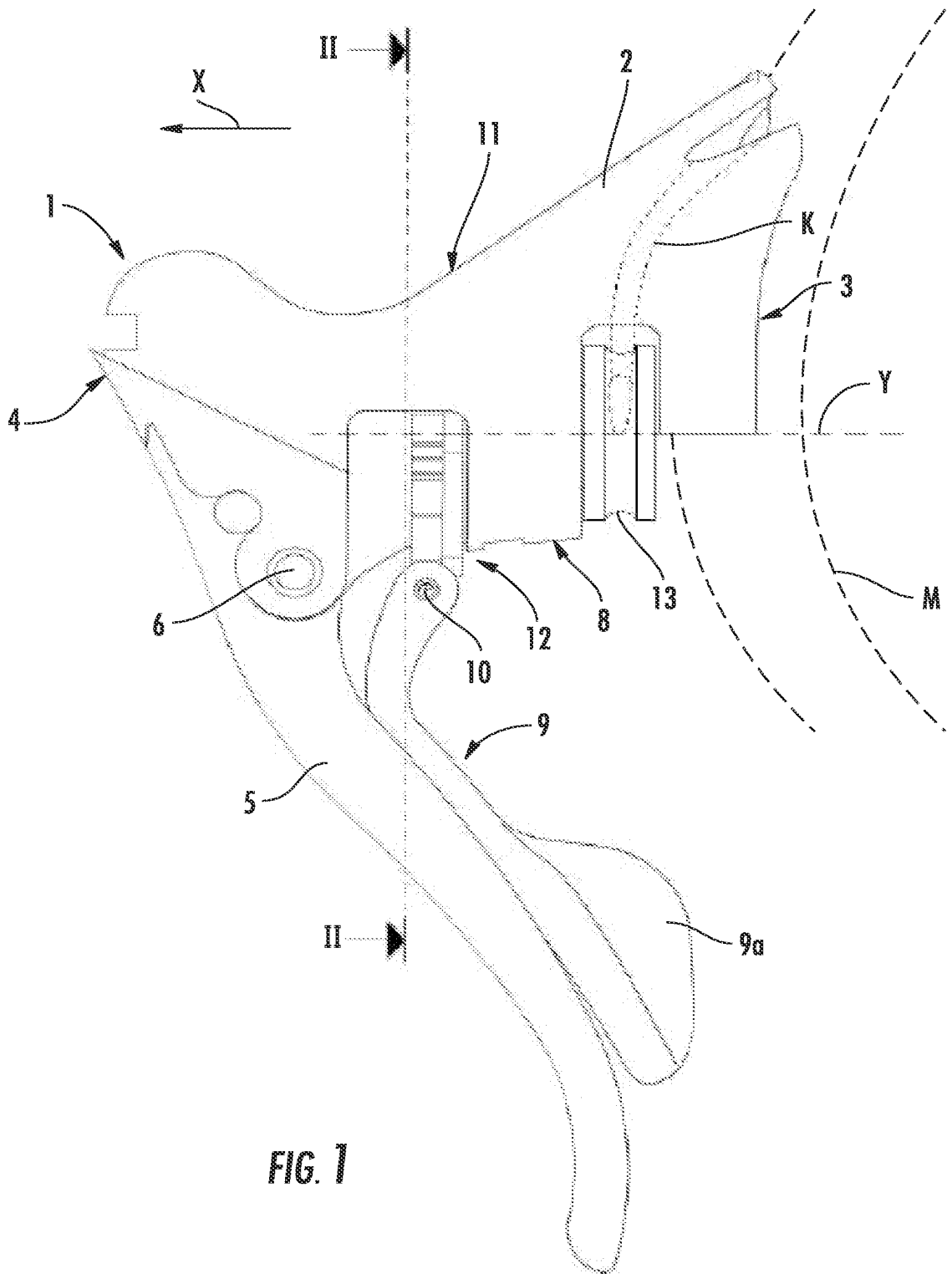
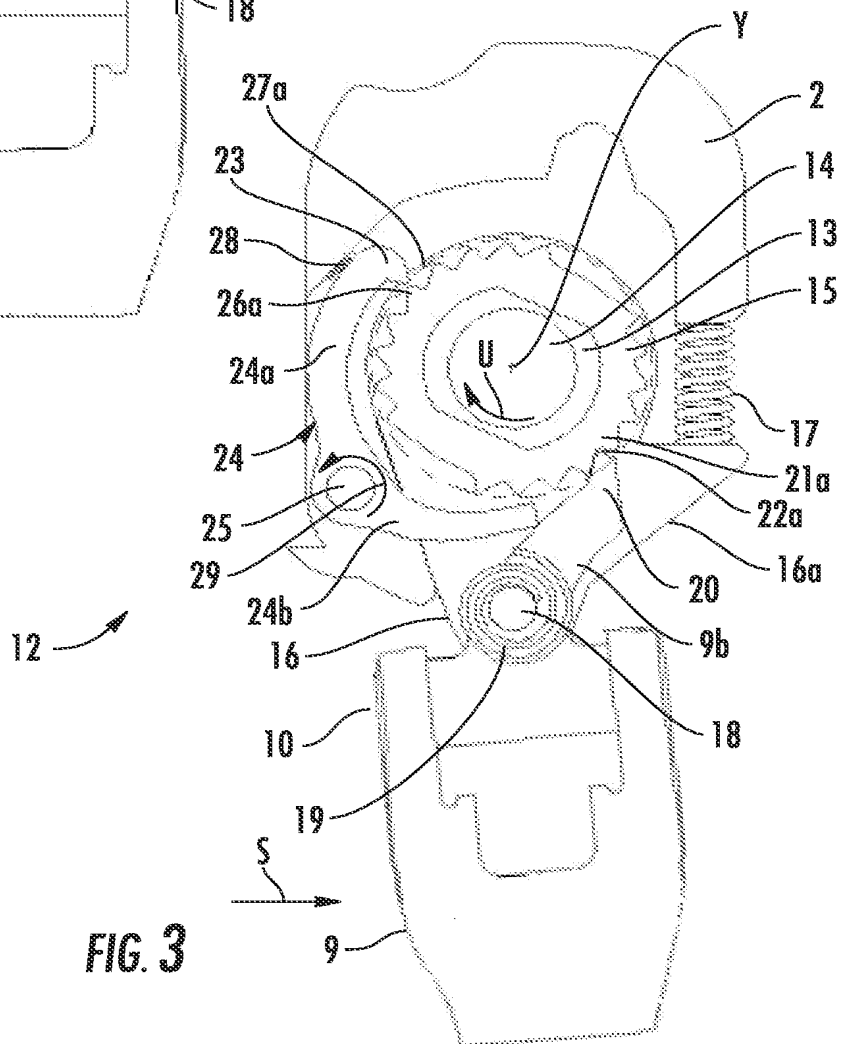
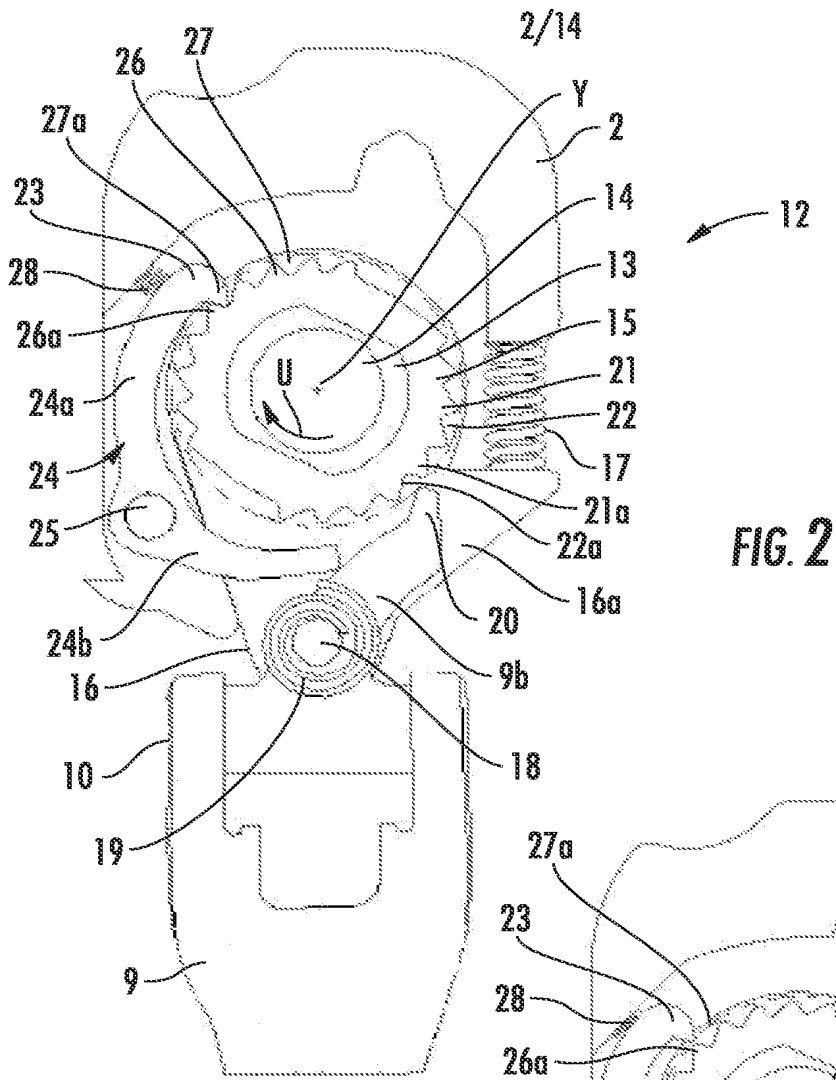


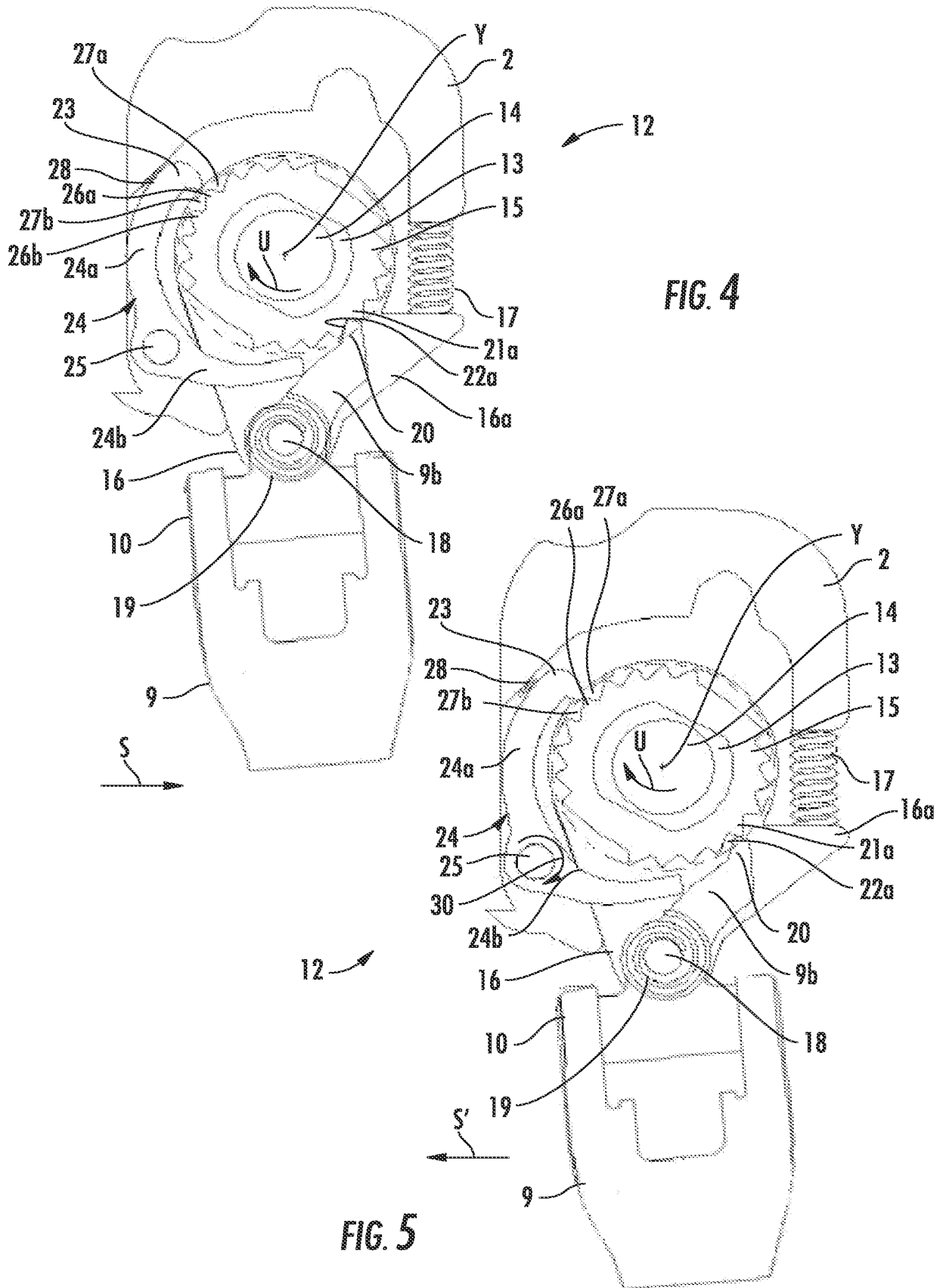
FIG. 1

REPLACEMENT SHEET



REPLACEMENT SHEET

3/14



REPLACEMENT SHEET

4/14

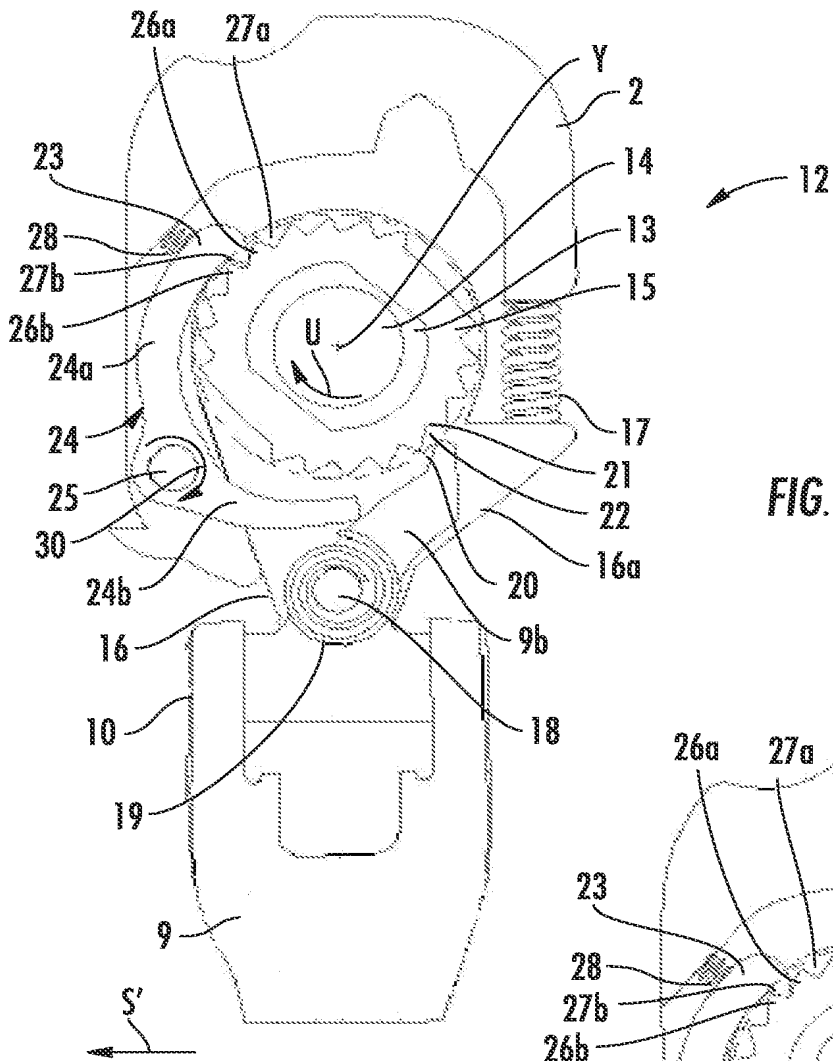


FIG. 6

12 ↗

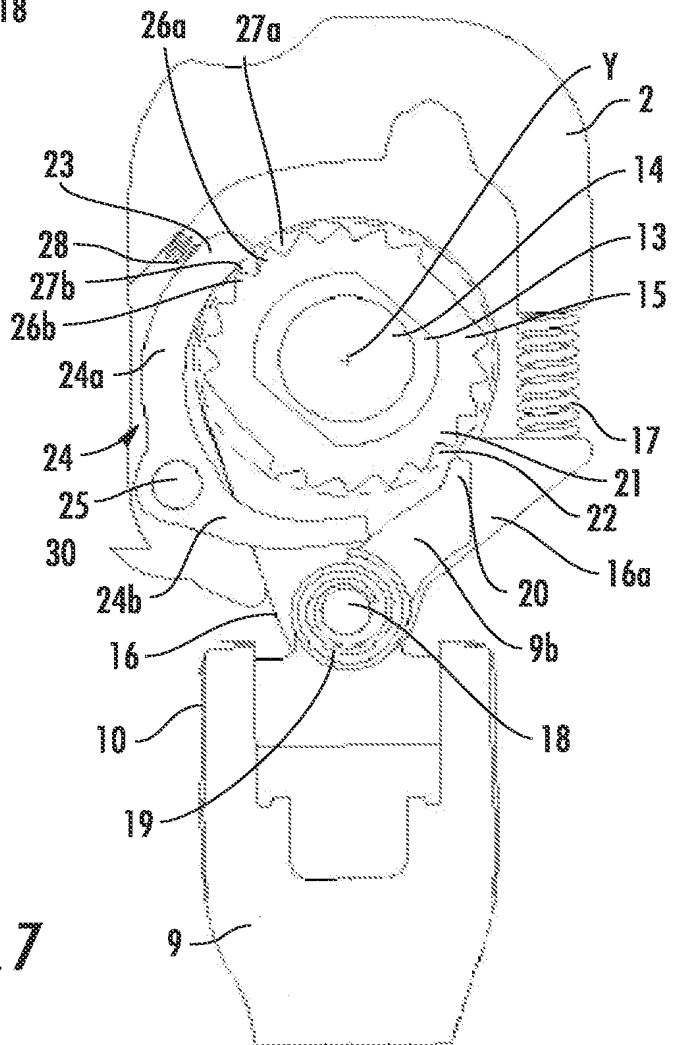


FIG. 7

REPLACEMENT SHEET

5/14

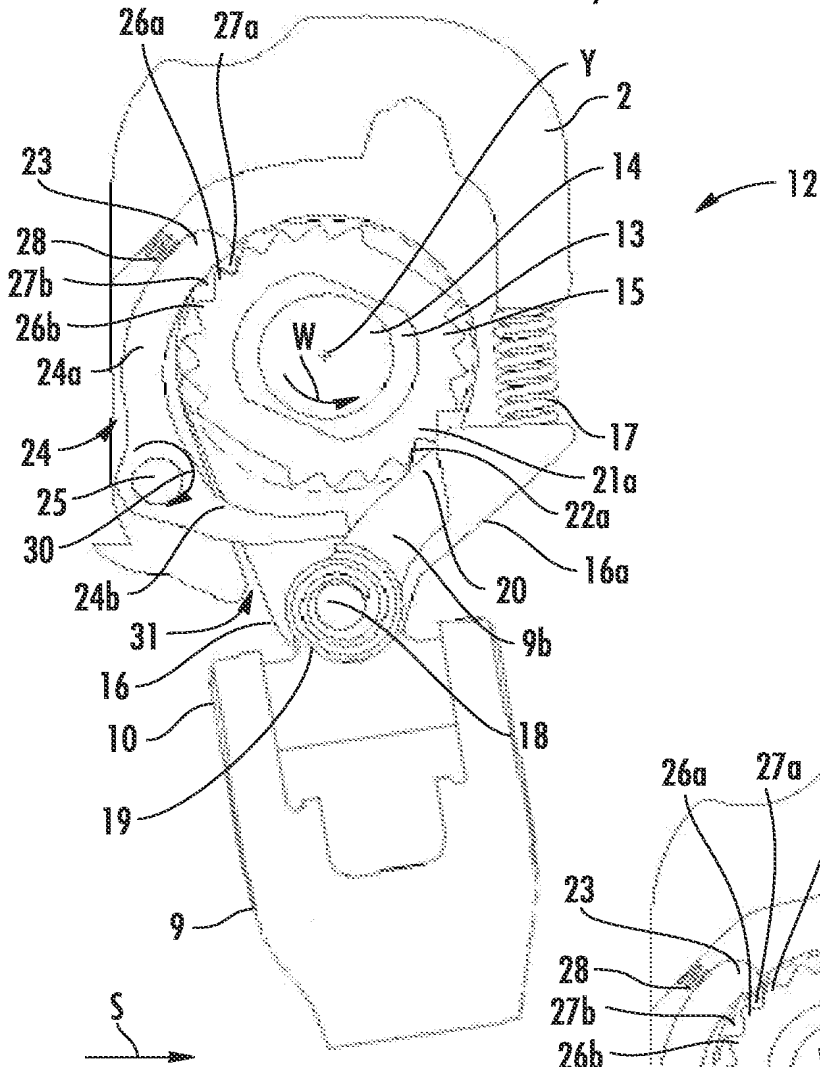


FIG. 8

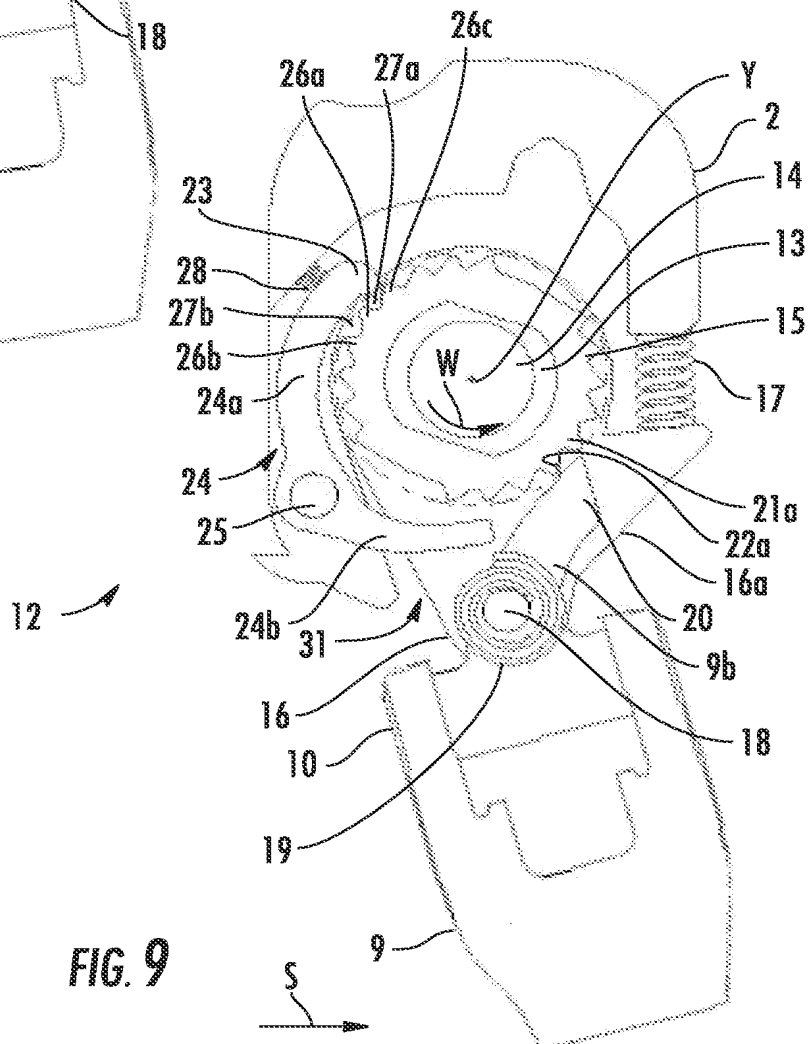


FIG. 9

REPLACEMENT SHEET

6/14

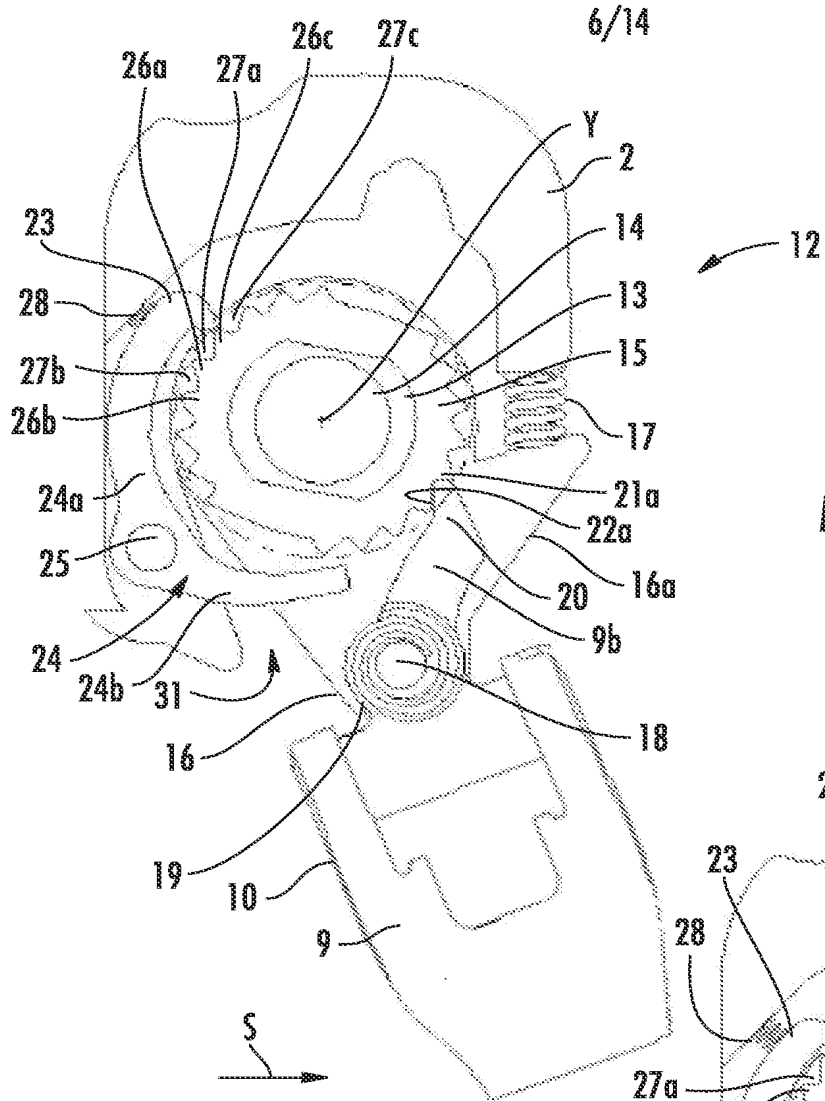


FIG. 10

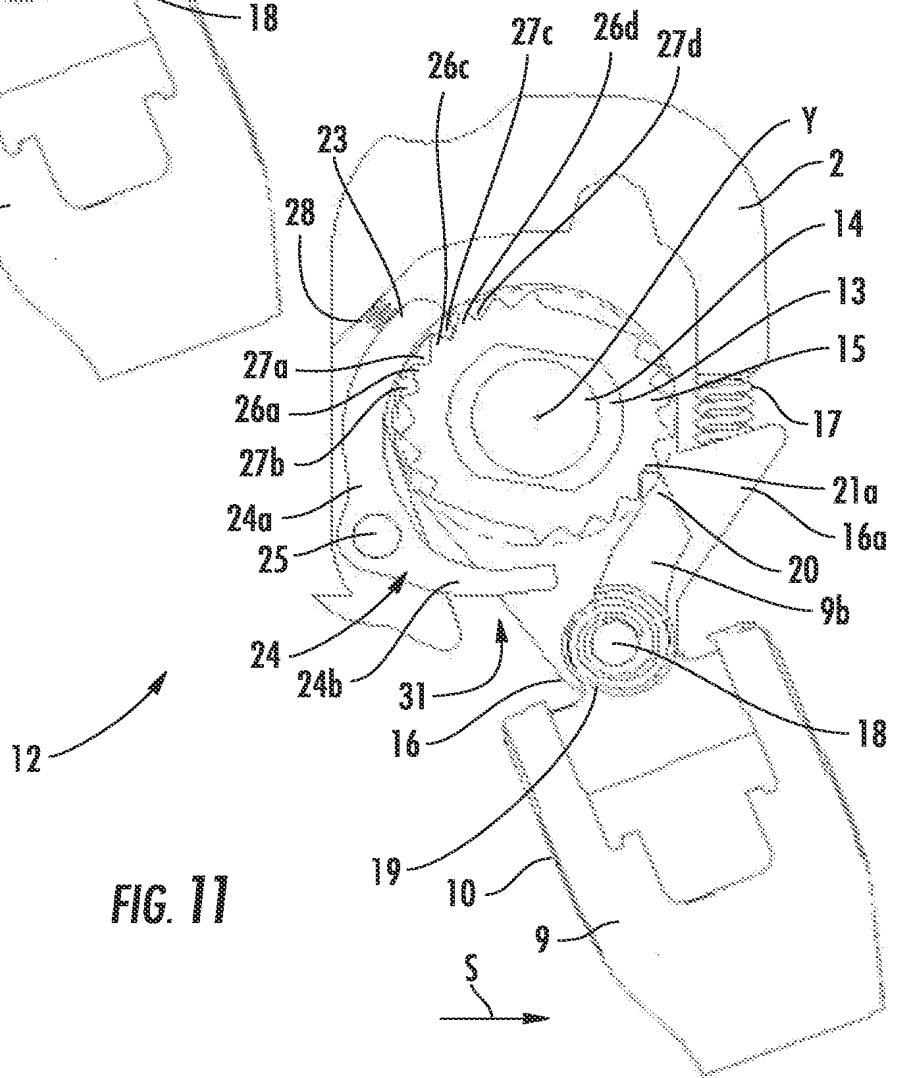


FIG. 11

REPLACEMENT SHEET

7/14

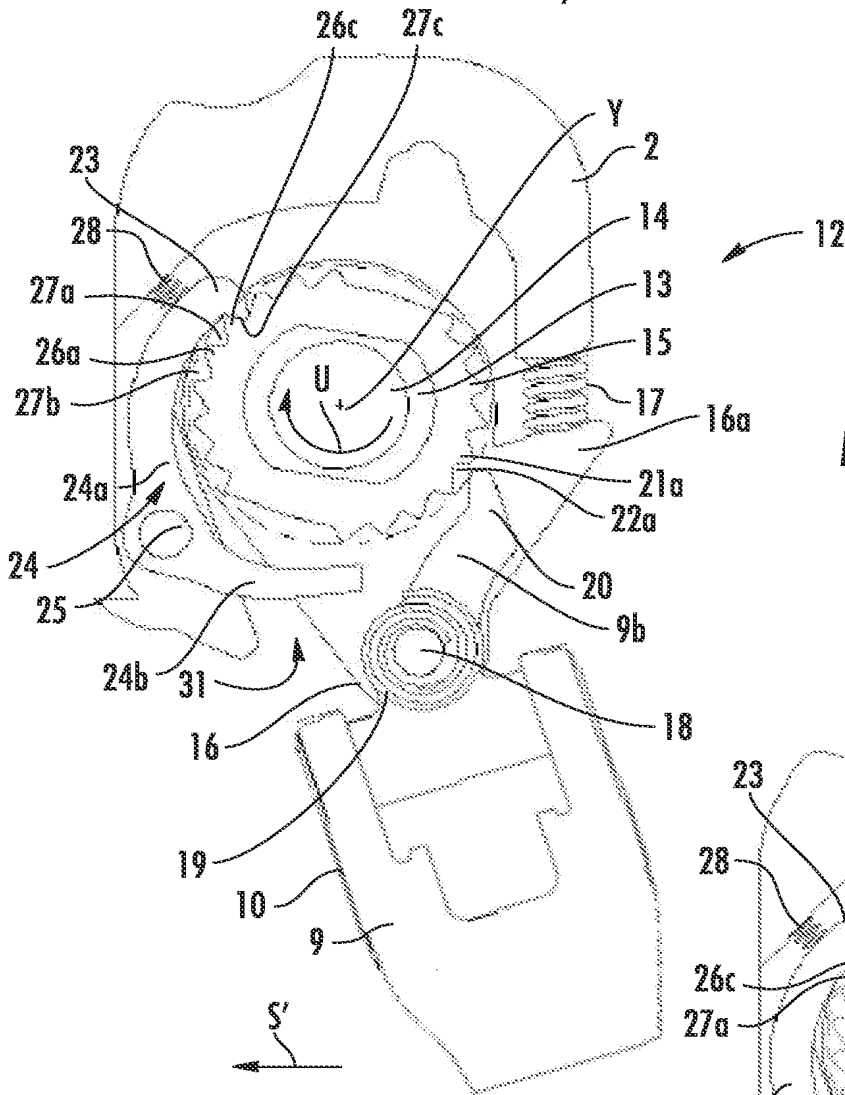


FIG. 12

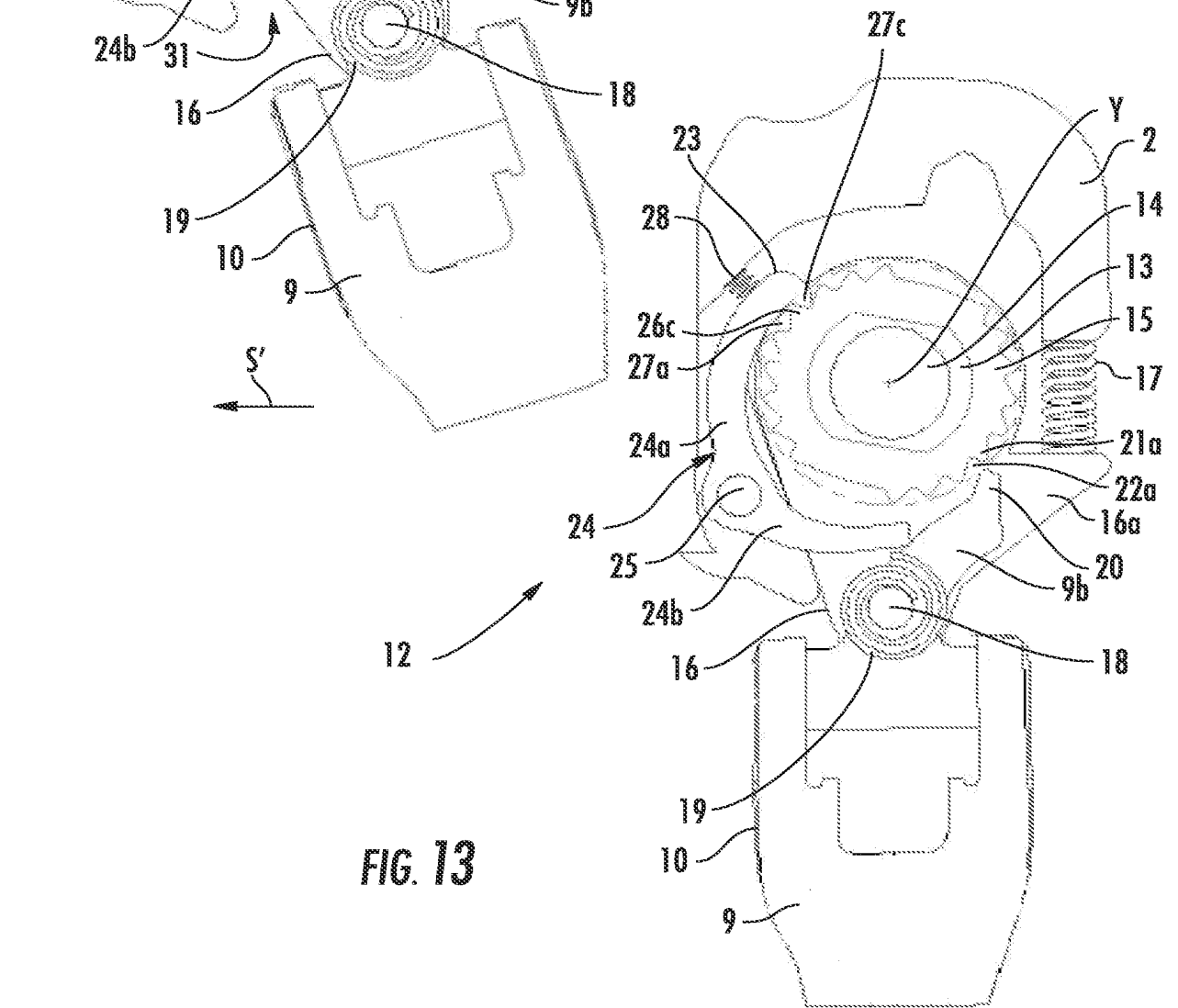


FIG. 13

REPLACEMENT SHEET

8/14

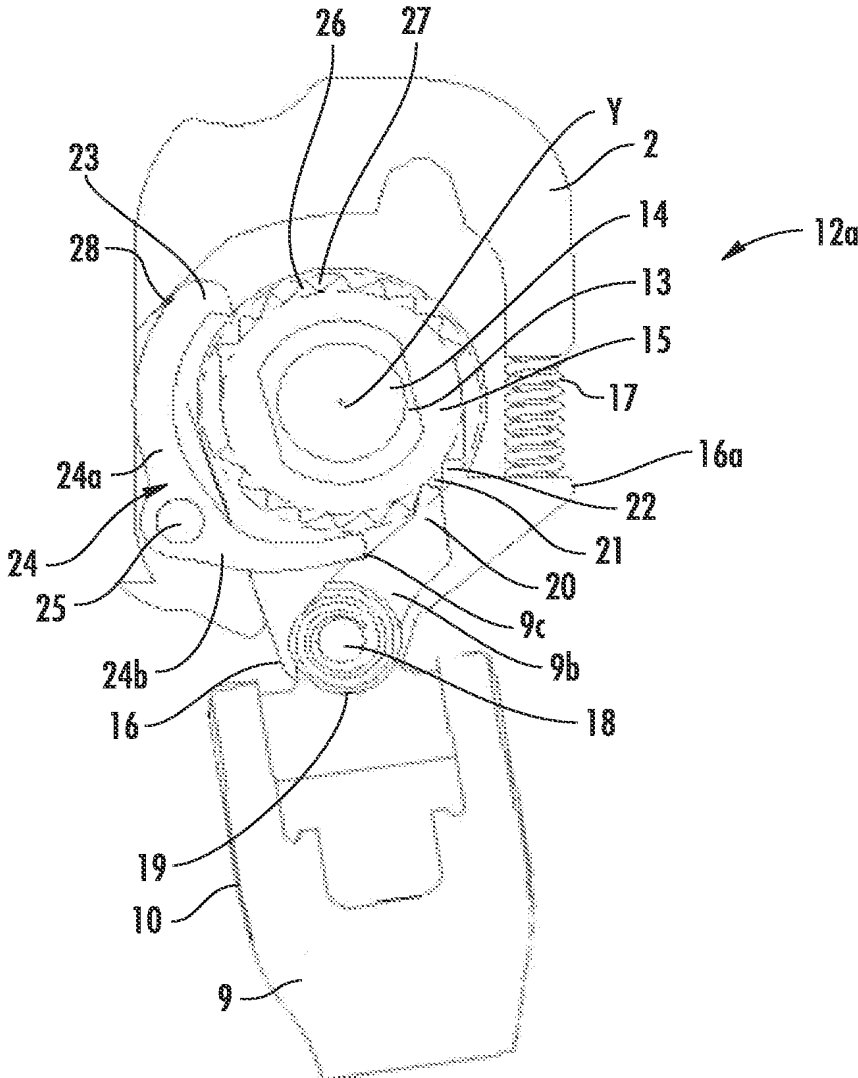


FIG. 14

REPLACEMENT SHEET

9/14

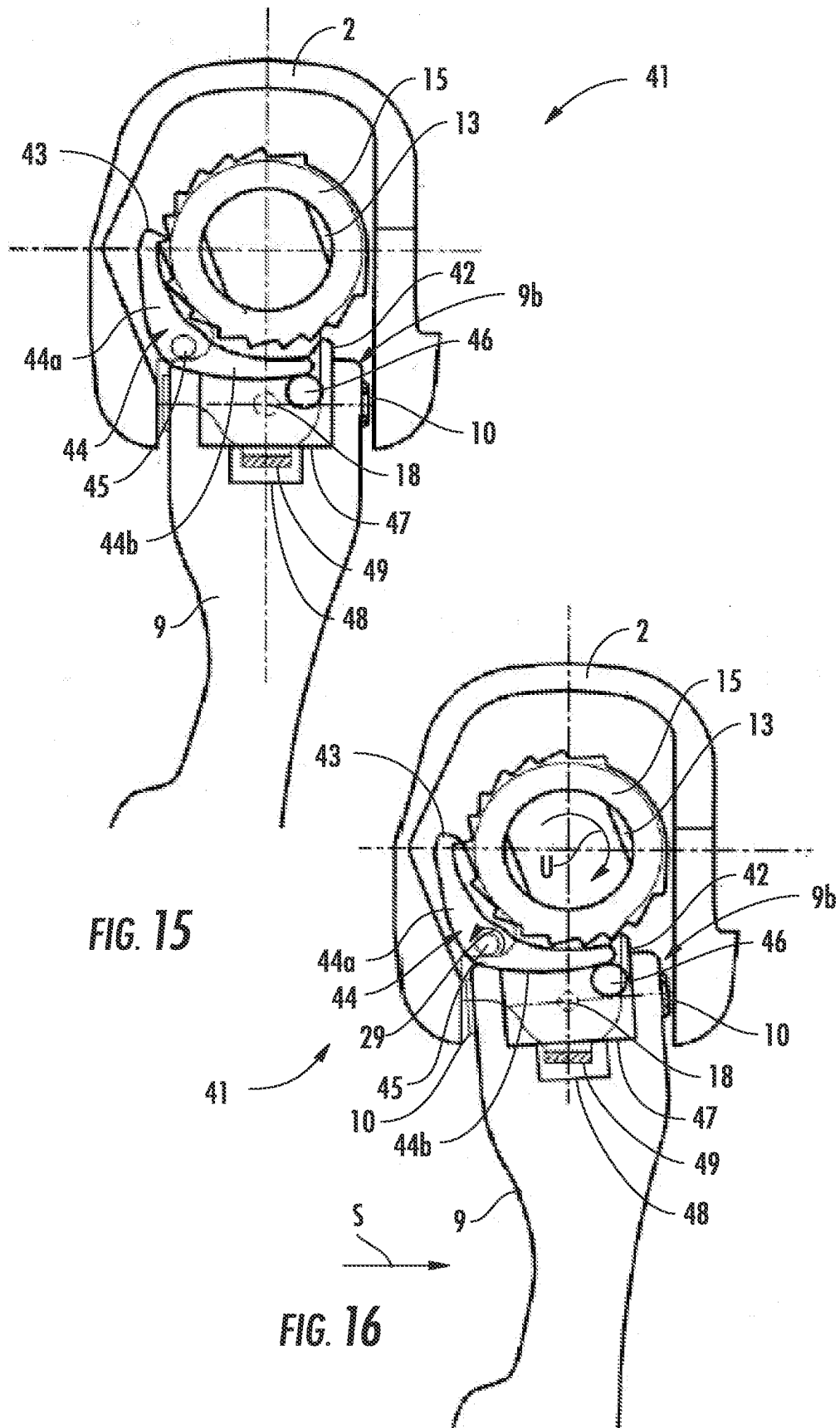
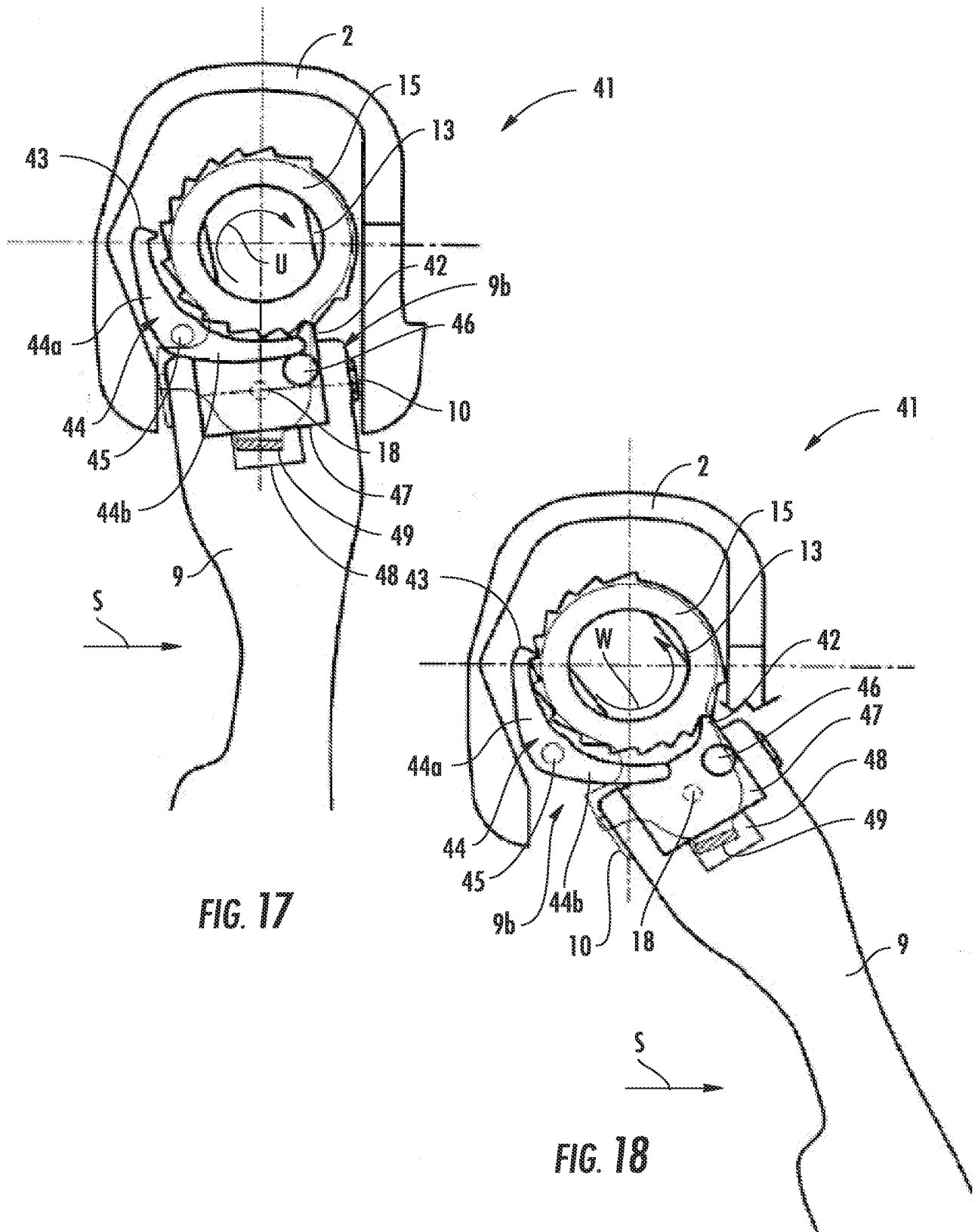


FIG. 15

FIG. 16

REPLACEMENT SHEET

10/14



REPLACEMENT SHEET

11/14

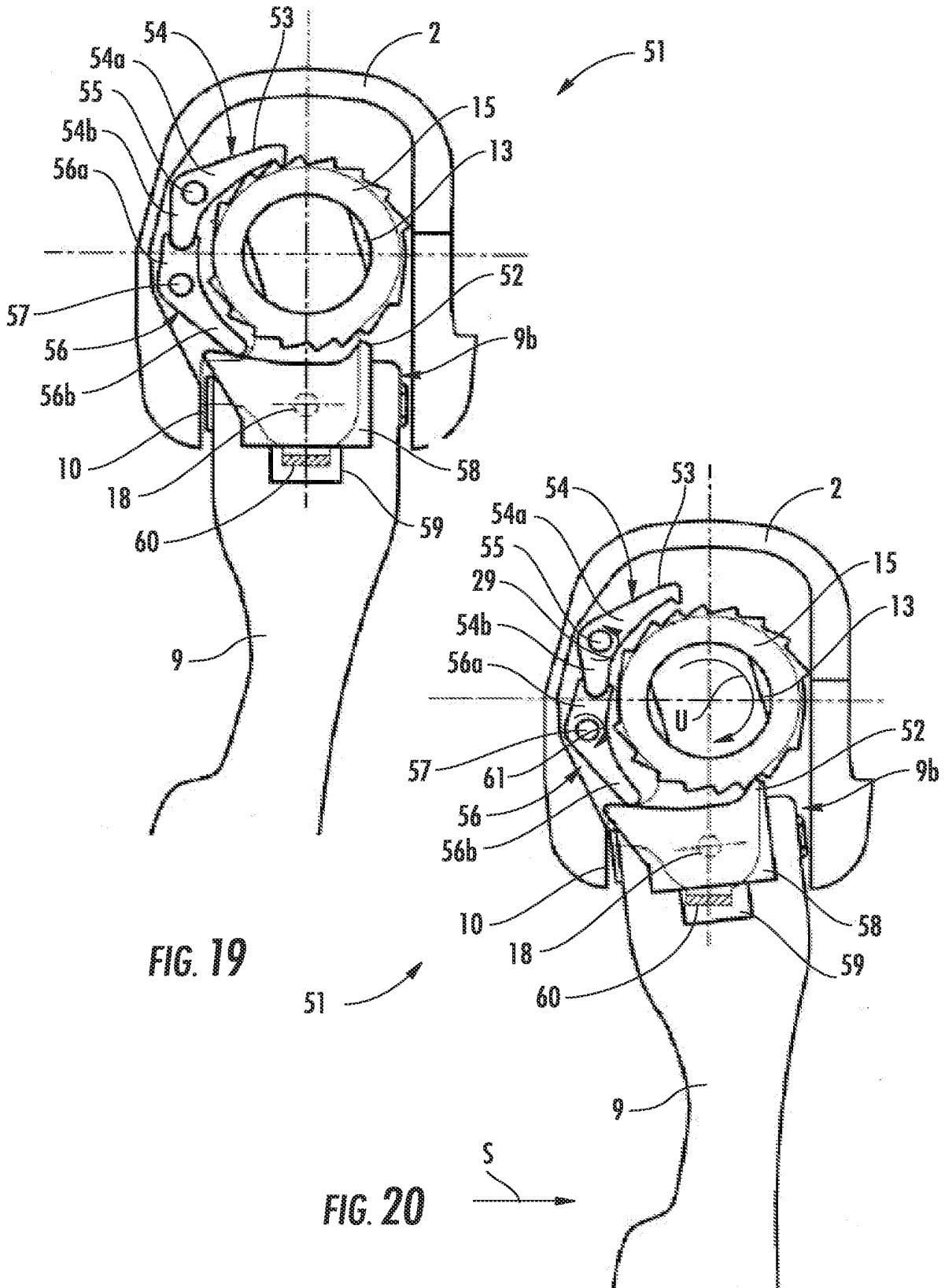
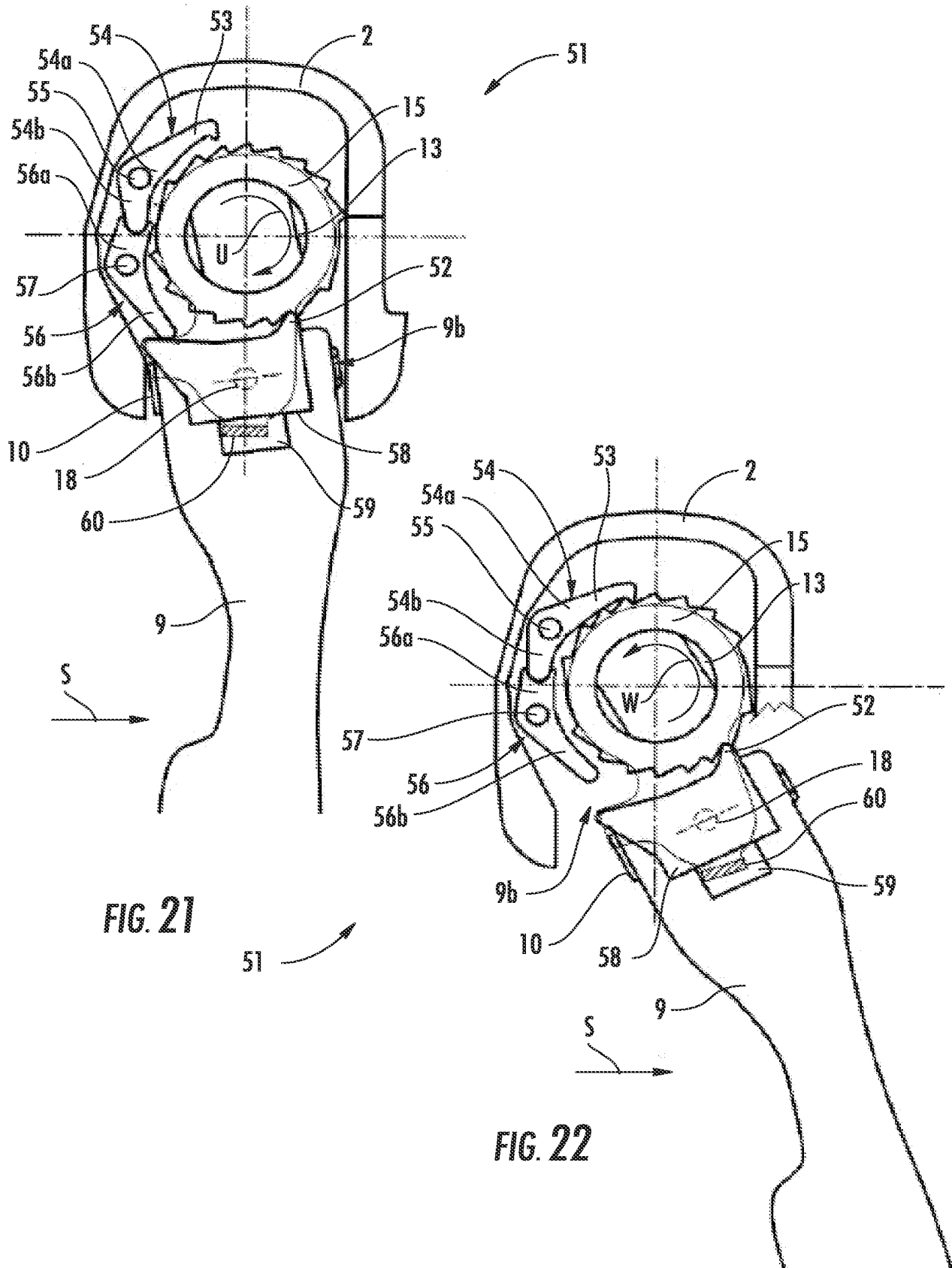


FIG. 19

FIG. 20

REPLACEMENT SHEET

12/14



REPLACEMENT SHEET

13/14

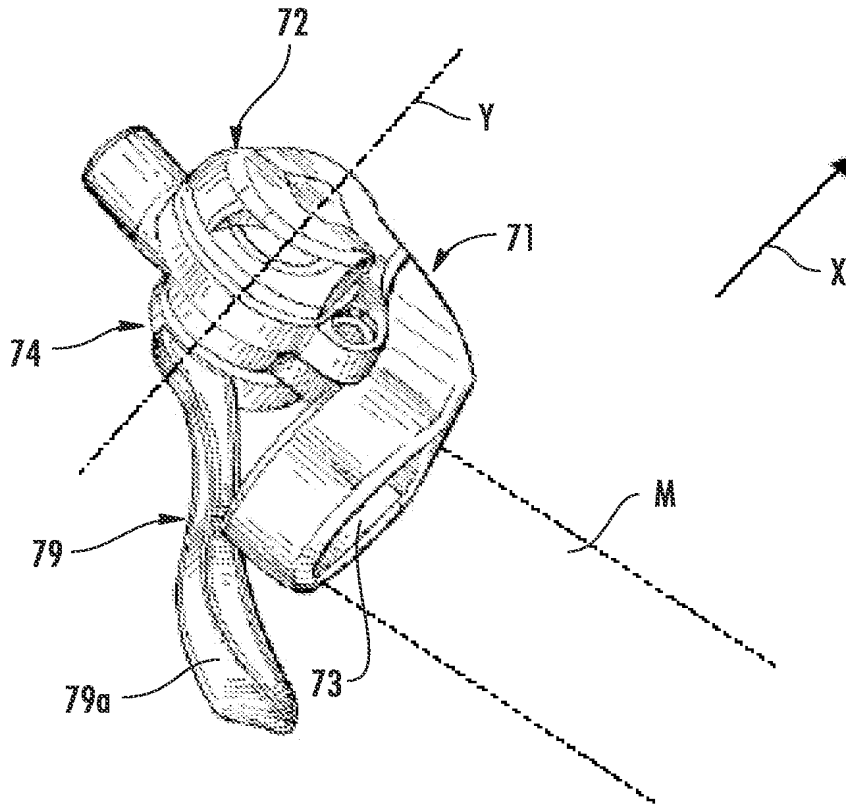


FIG. 23

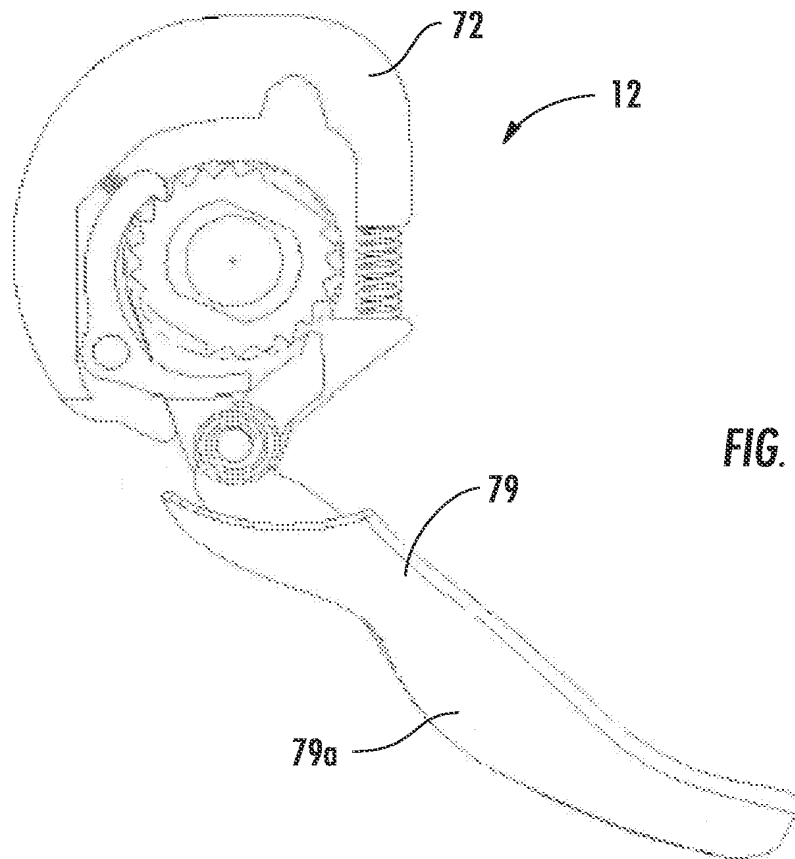


FIG. 24

REPLACEMENT SHEET

14/14

