

(19) World Intellectual Property Organization
International Bureau



(43) International Publication Date
29 November 2007 (29.11.2007)

PCT

(10) International Publication Number
WO 2007/136235 A1

(51) International Patent Classification:
B65H 35/07 (2006.01)

(21) International Application Number:
PCT/KR2007/002543

(22) International Filing Date: 25 May 2007 (25.05.2007)

(25) Filing Language: Korean

(26) Publication Language: English

(30) Priority Data:
10-2006-0046763 24 May 2006 (24.05.2006) KR

(71) Applicant and

(72) Inventor: RYU, Gi-Je [KR/KR]; 1005-1002 Jugong Apt., 10-danji, Seongpo-dong, Sangnok-gu., Ansan-si, Gyeonggi-do 426-771 (KR).

(74) Agent: KIM, Jong-Su; Suite 503 Dasung Building., 735-34 Yeoksam-dong., Kangnam-gu., Seoul 135-080 (KR).

(81) Designated States (unless otherwise indicated, for every kind of national protection available): AE, AG, AL, AM,

AT, AU, AZ, BA, BB, BG, BH, BR, BW, BY, BZ, CA, CH, CN, CO, CR, CU, CZ, DE, DK, DM, DZ, EC, EE, EG, ES, FI, GB, GD, GE, GH, GM, GT, HN, HR, HU, ID, IL, IN, IS, JP, KE, KG, KM, KN, KP, KZ, LA, LC, LK, LR, LS, LT, LU, LY, MA, MD, MG, MK, MN, MW, MX, MY, MZ, NA, NG, NI, NO, NZ, OM, PG, PI, PL, PT, RO, RS, RU, SC, SD, SE, SG, SK, SL, SM, SV, SY, TJ, TM, TN, TR, TT, TZ, UA, UG, US, UZ, VC, VN, ZA, ZM, ZW.

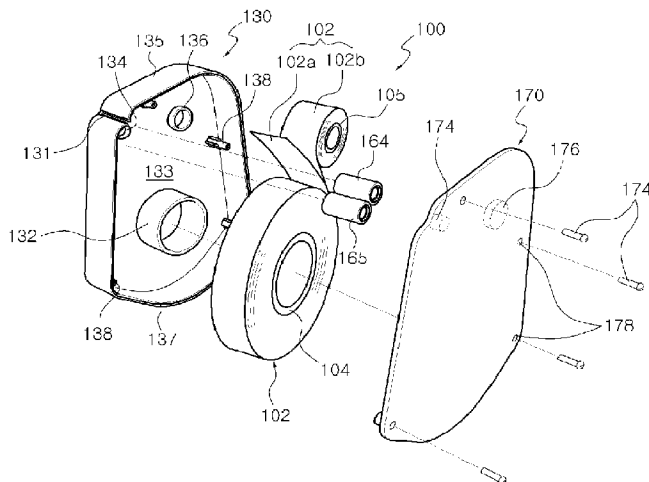
(84) Designated States (unless otherwise indicated, for every kind of regional protection available): ARIPO (BW, GH, GM, KE, LS, MW, MZ, NA, SD, SL, SZ, TZ, UG, ZM, ZW), Eurasian (AM, AZ, BY, KG, KZ, MD, RU, TJ, TM), European (AT, BE, BG, CH, CY, CZ, DE, DK, EE, ES, FI, FR, GB, GR, HU, IE, IS, IT, LT, LU, LV, MC, MT, NL, PL, PT, RO, SE, SI, SK, TR), OAPI (BF, BJ, CF, CG, CI, CM, GA, GN, GQ, GW, ML, MR, NE, SN, TD, TG).

Published:

- with international search report
- before the expiration of the time limit for amending the claims and to be republished in the event of receipt of amendments

For two-letter codes and other abbreviations, refer to the "Guidance Notes on Codes and Abbreviations" appearing at the beginning of each regular issue of the PCT Gazette.

(54) Title: A CARTRIDGE FOR AN EDIBLE FILM DISPENSER.



(57) Abstract: A cartridge for an edible film dispenser is provided for protecting a mounted edible film having a roll form, enabling easy mounting of the edible film in the edible film dispenser, and simplifying the structure of the edible film dispenser. The cartridge comprises an edible film tape, which has a cylindrical main bobbin and a cylindrical take-up bobbin, a cartridge body, which includes a main shaft, a draw shaft, a take-up shaft, and an edge perpendicular wall, which are spaced apart from each other, and a plate-like cartridge cover, which has a size and profile equal to those of the cartridge body.



WO 2007/136235 A1