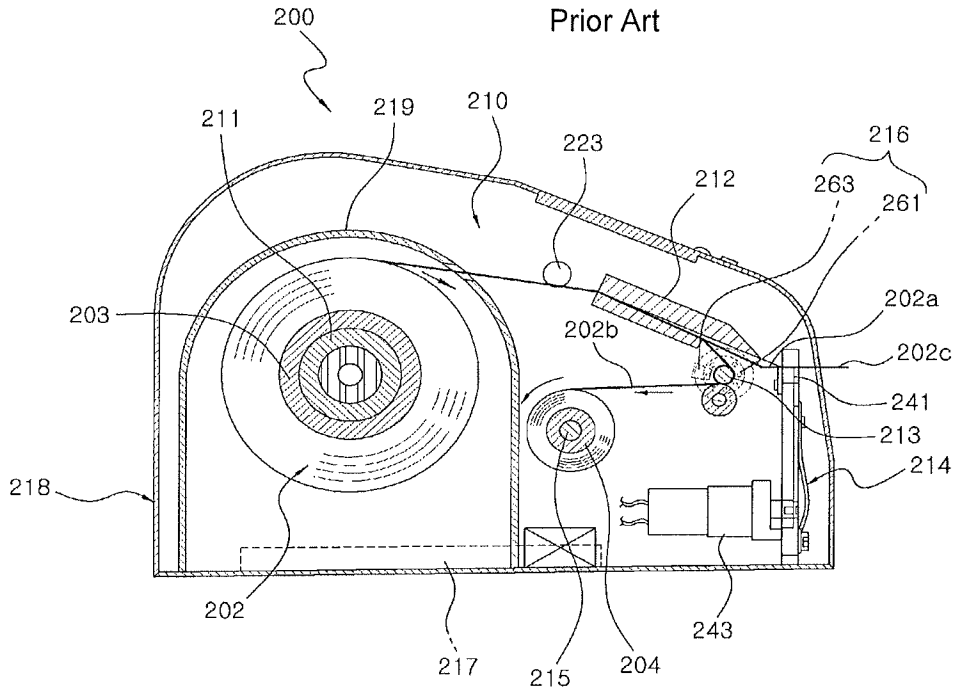


Replacement Sheet

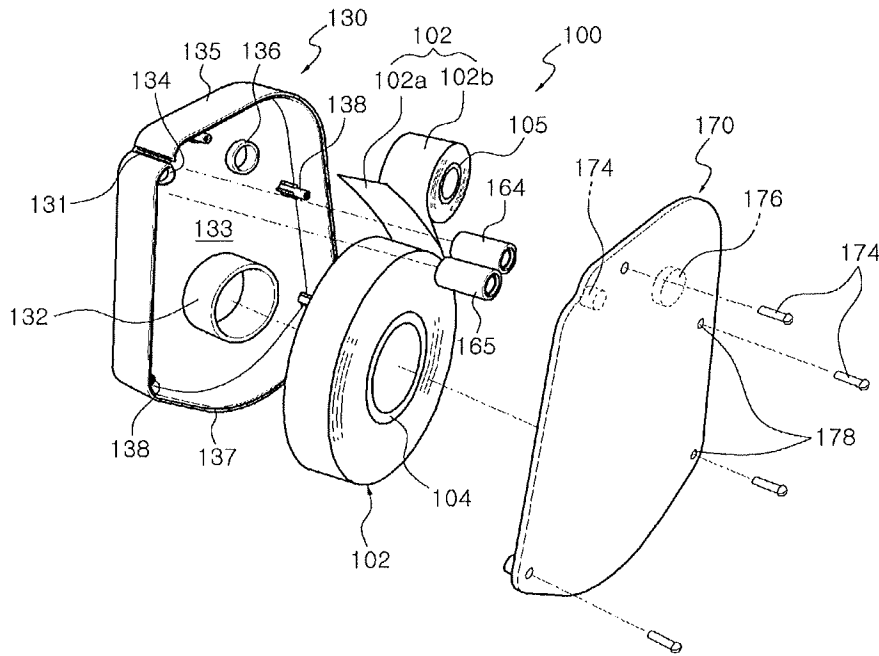
WO 2007/136235

PCT/KR2007/002543

[Fig. 1]
Prior Art



[Fig. 2]

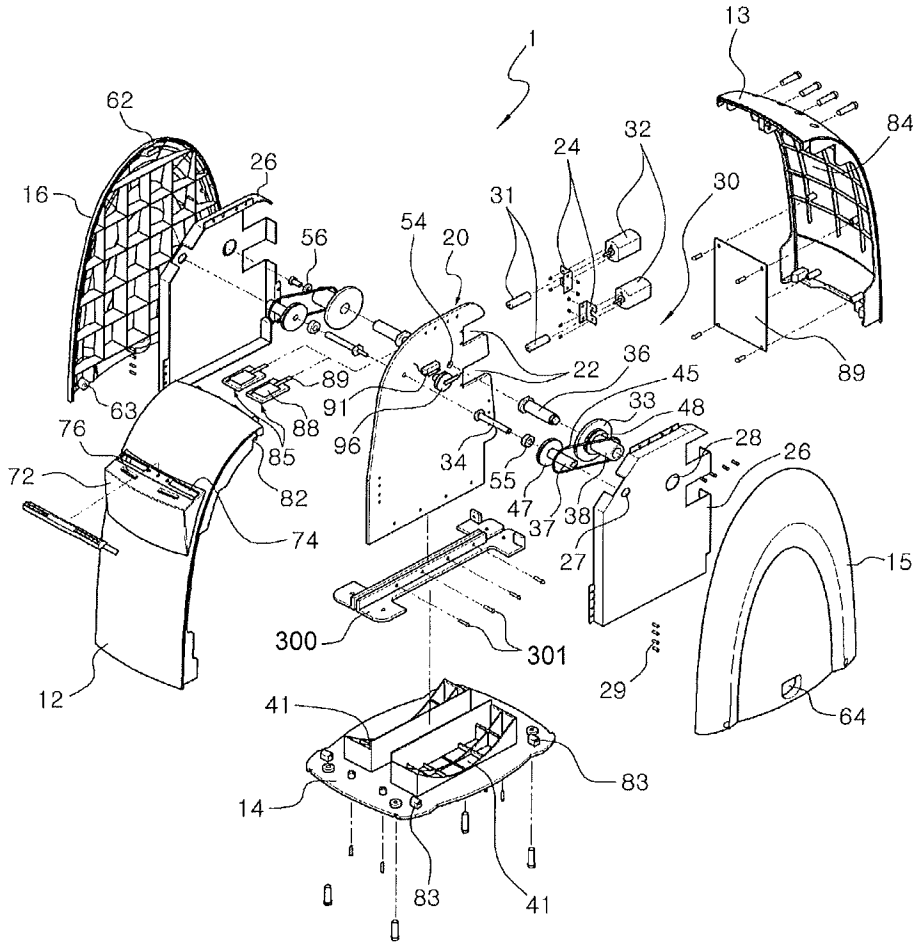


Replacement Sheet

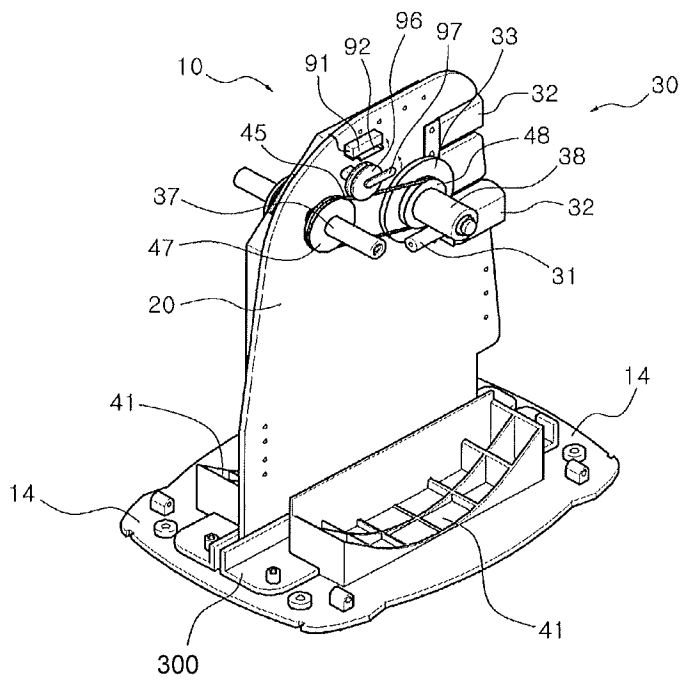
WO 2007/136235

PCT/KR2007/002543

[Fig. 4]



[Fig. 5]

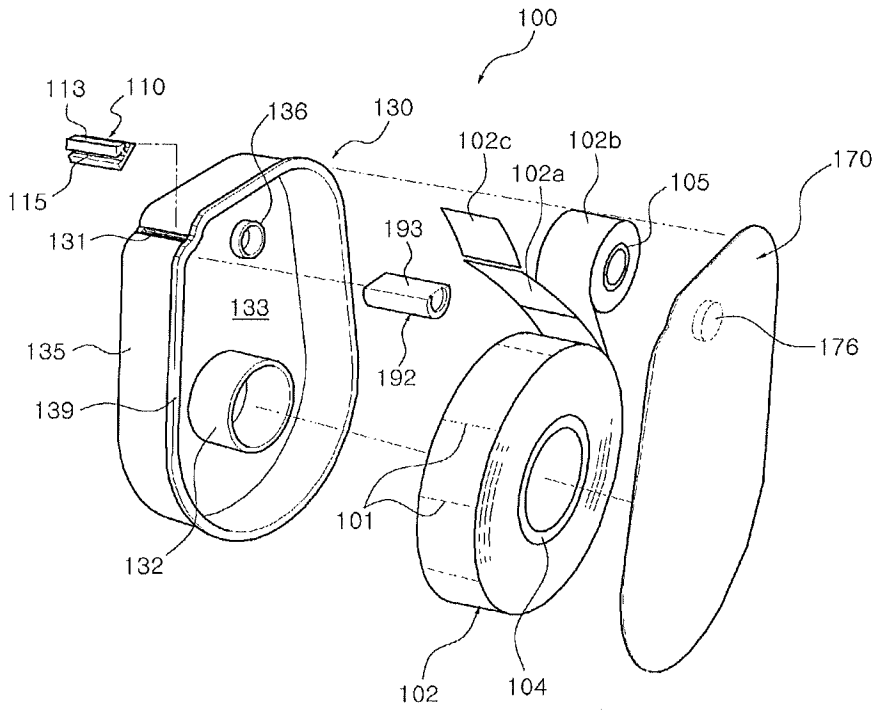


Replacement Sheet

WO 2007/136235

PCT/KR2007/002543

[Fig. 10]



[Fig. 11]

