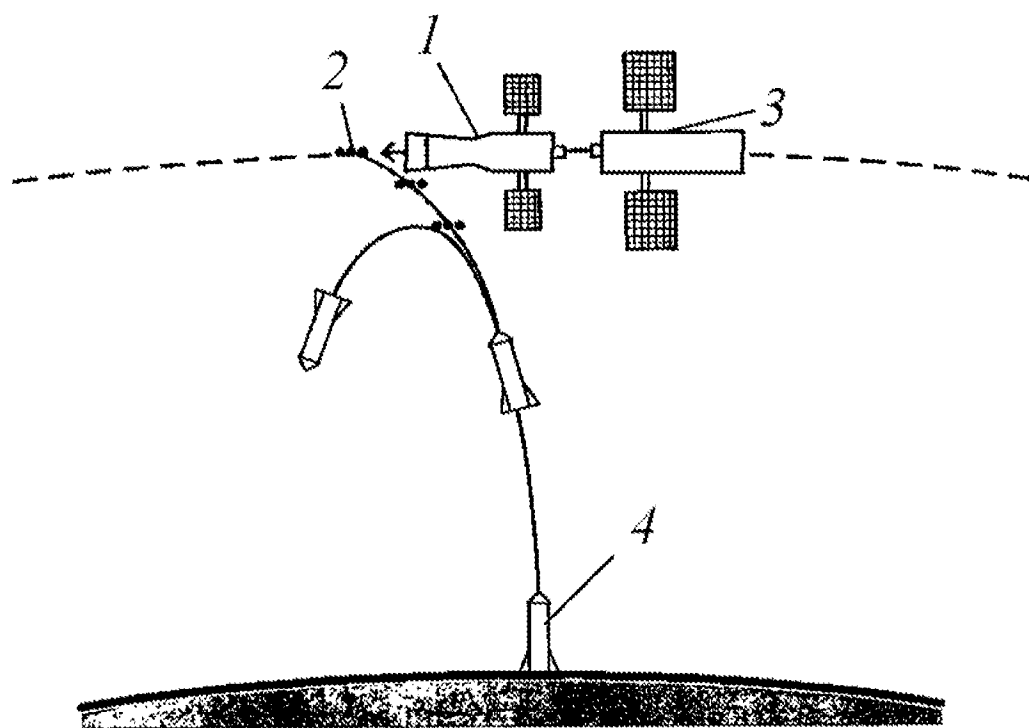


a)



b)

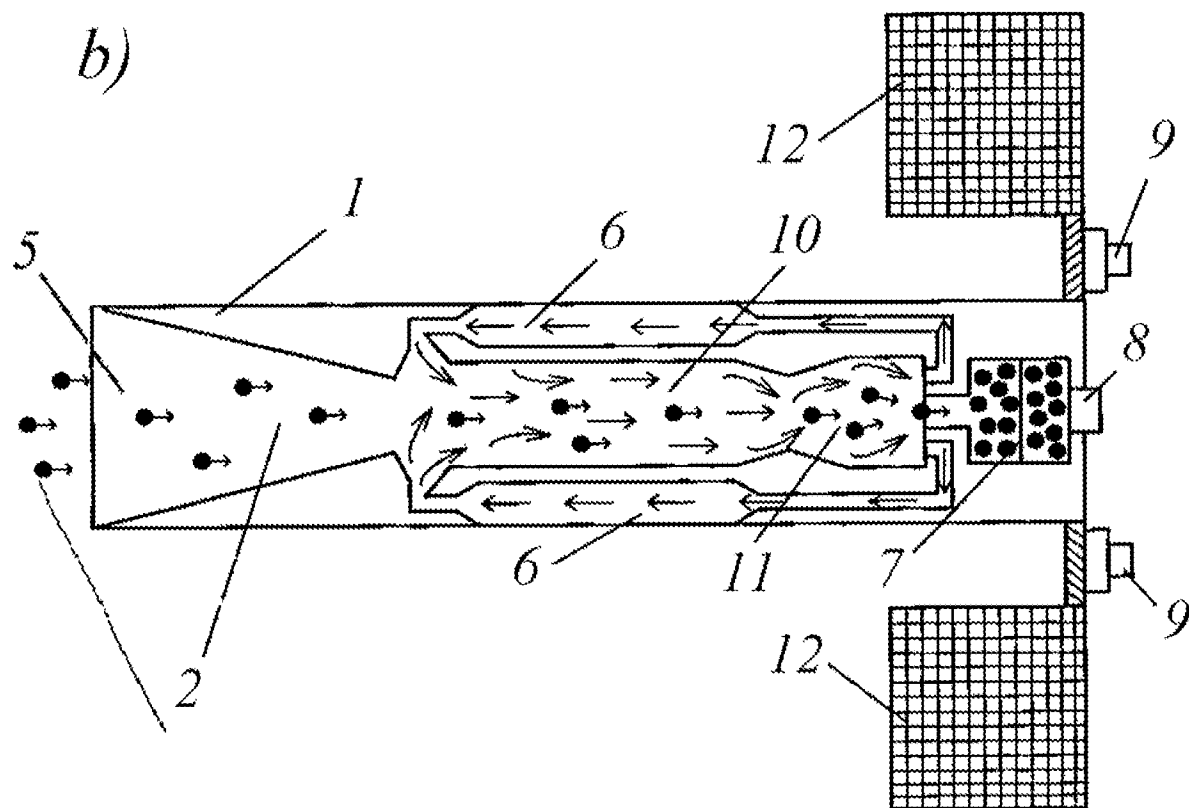


Fig.1

REPLACEMENT SHEET