

+

100

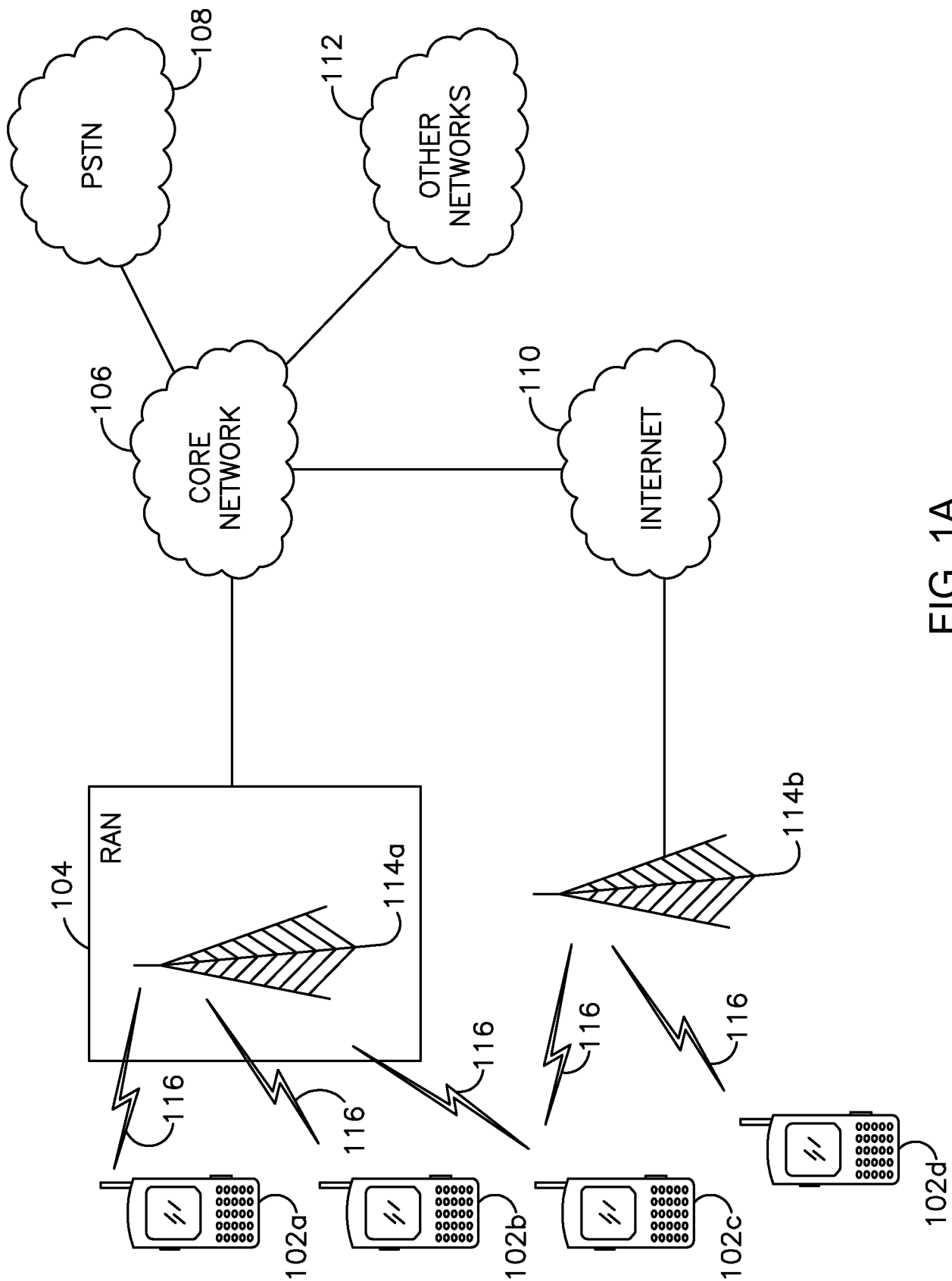


FIG. 1A

+

+

2/36

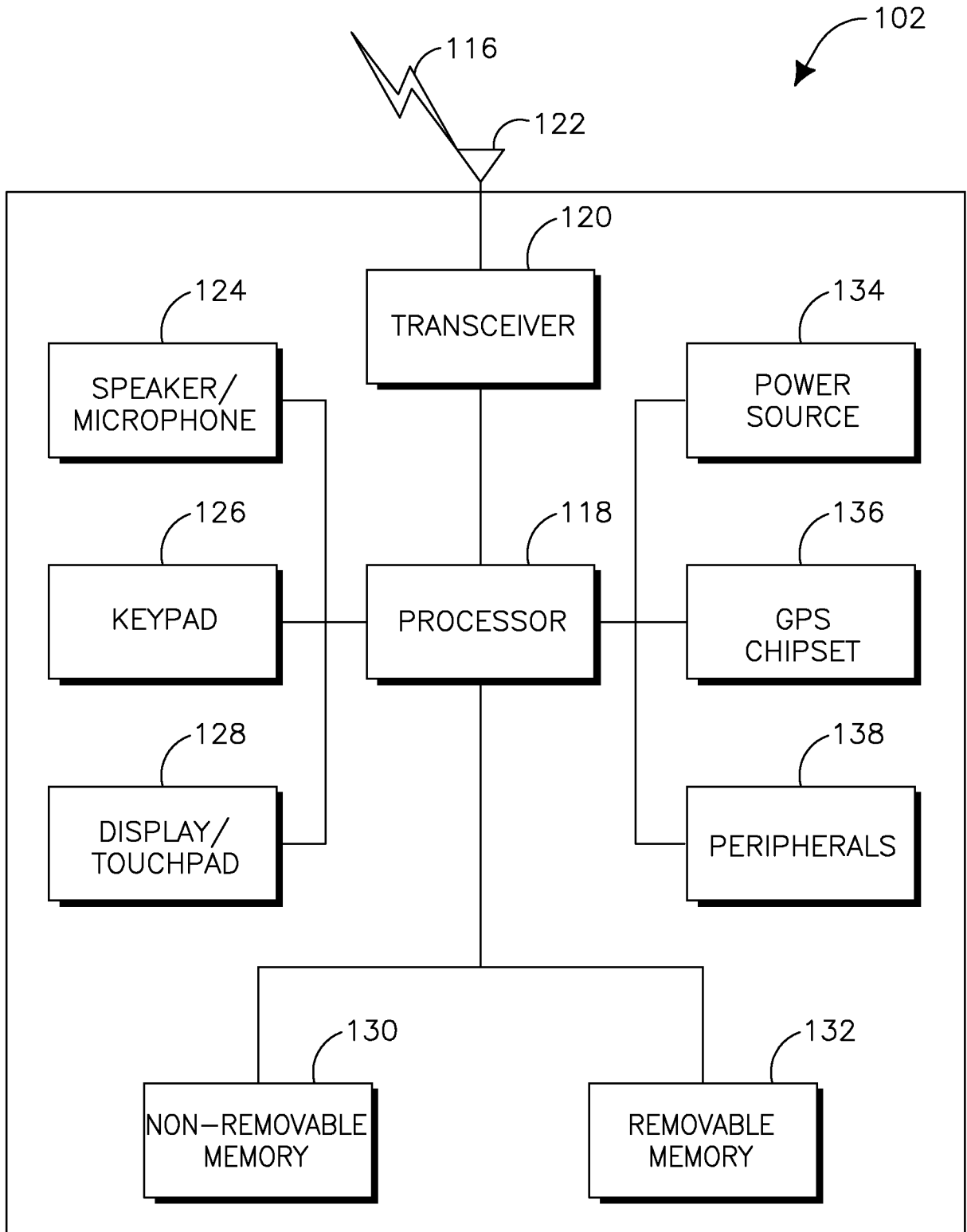


FIG. 1B

+

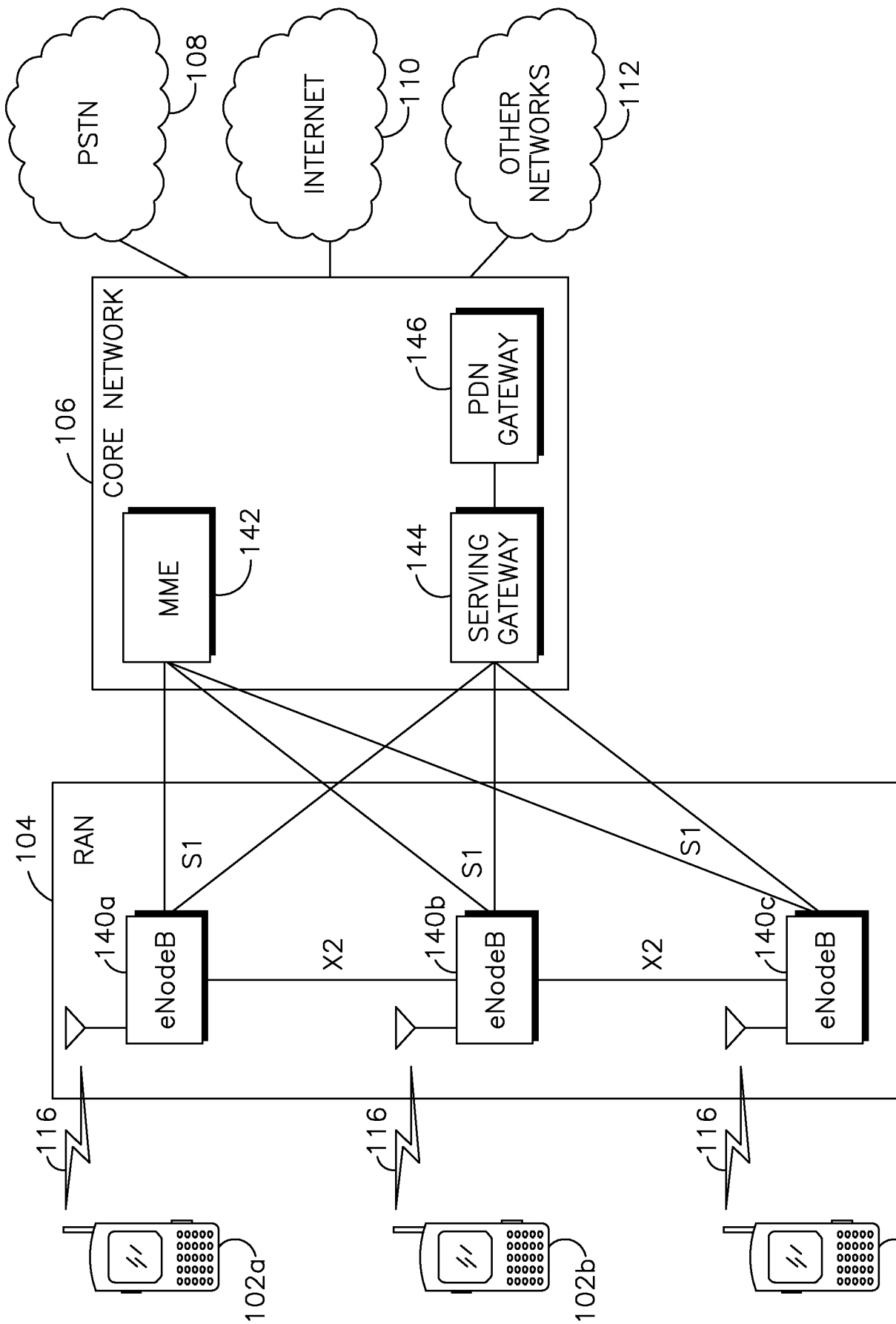


FIG. 1C

+

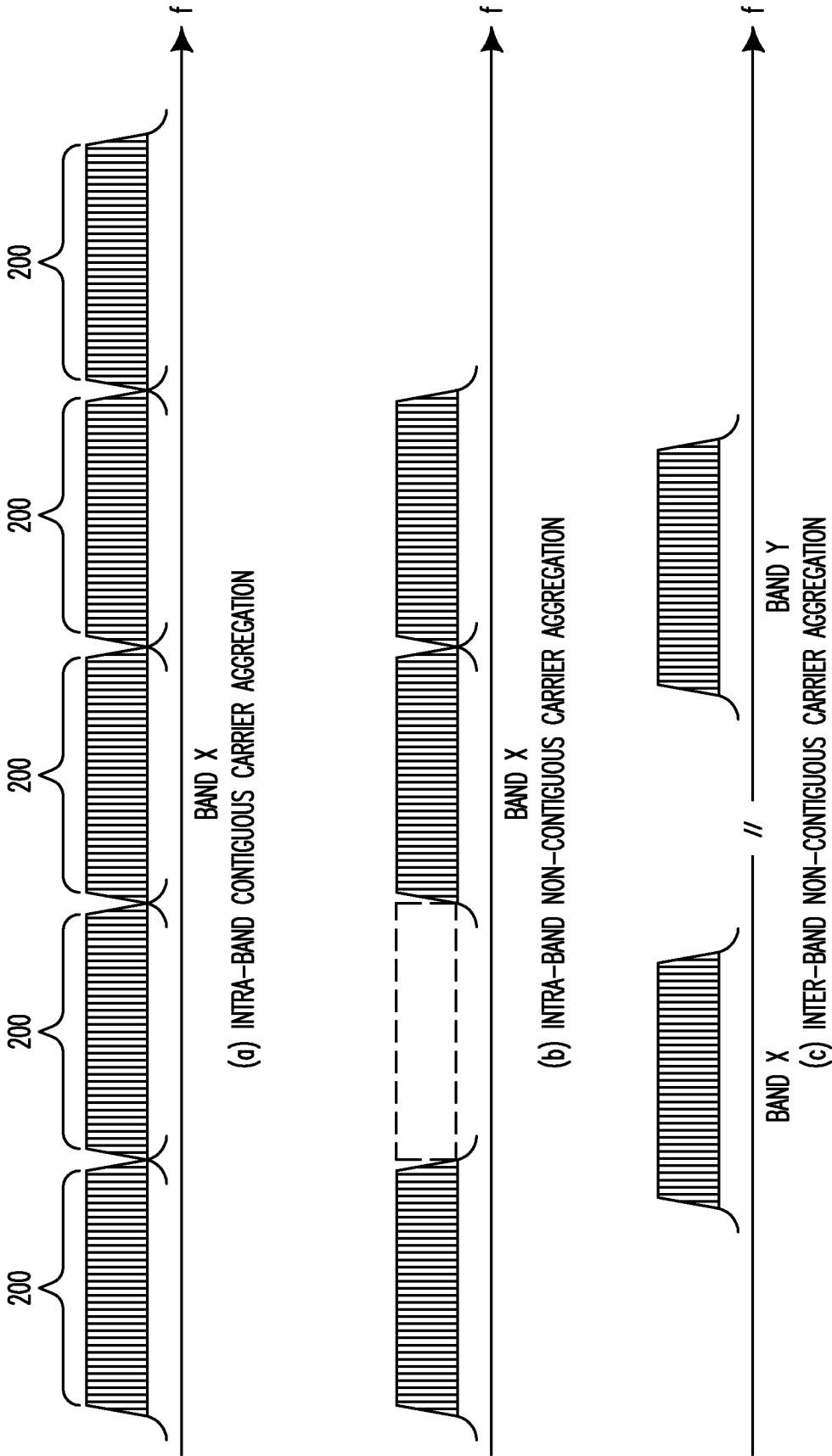


FIG. 2

+

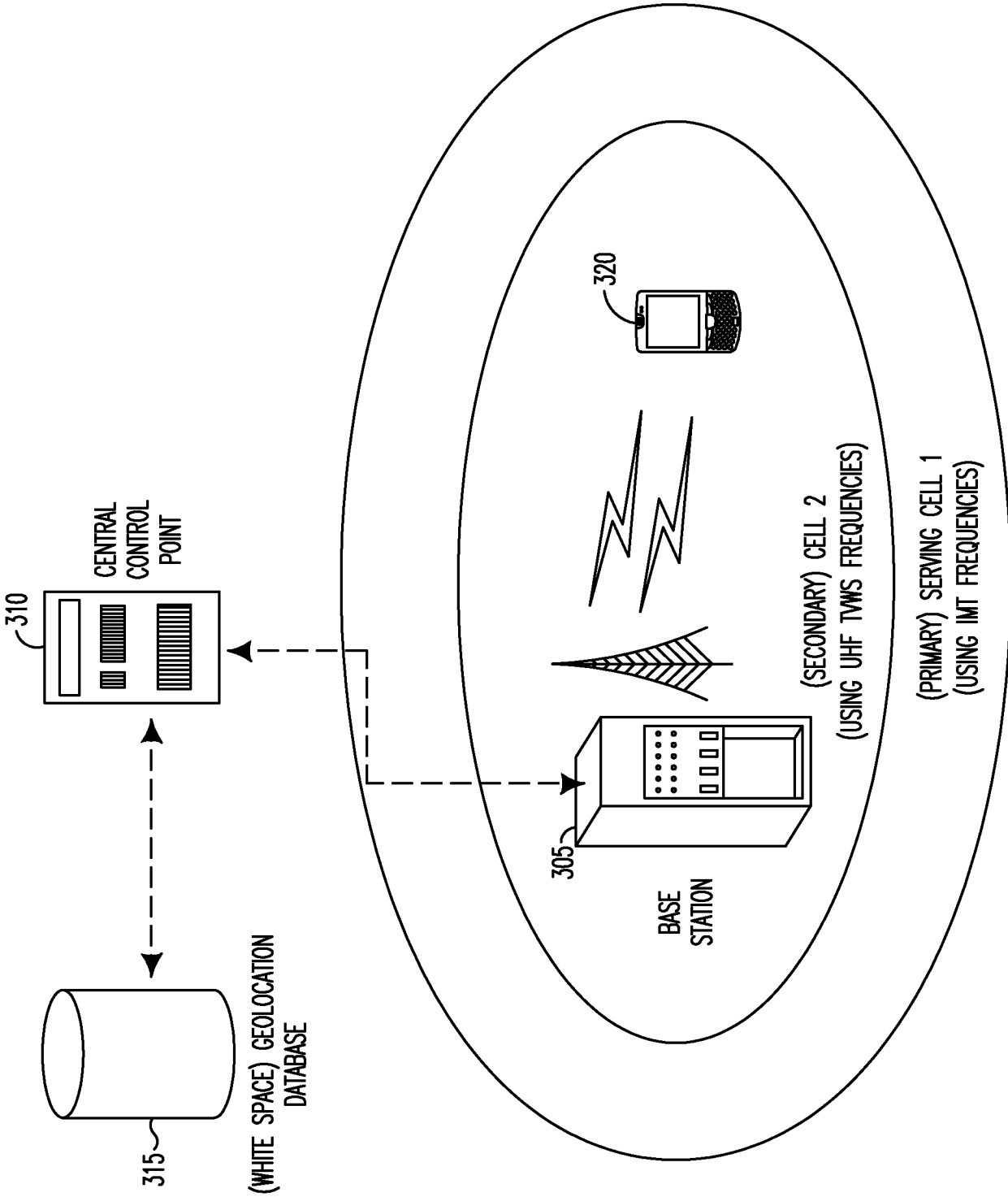


FIG. 3



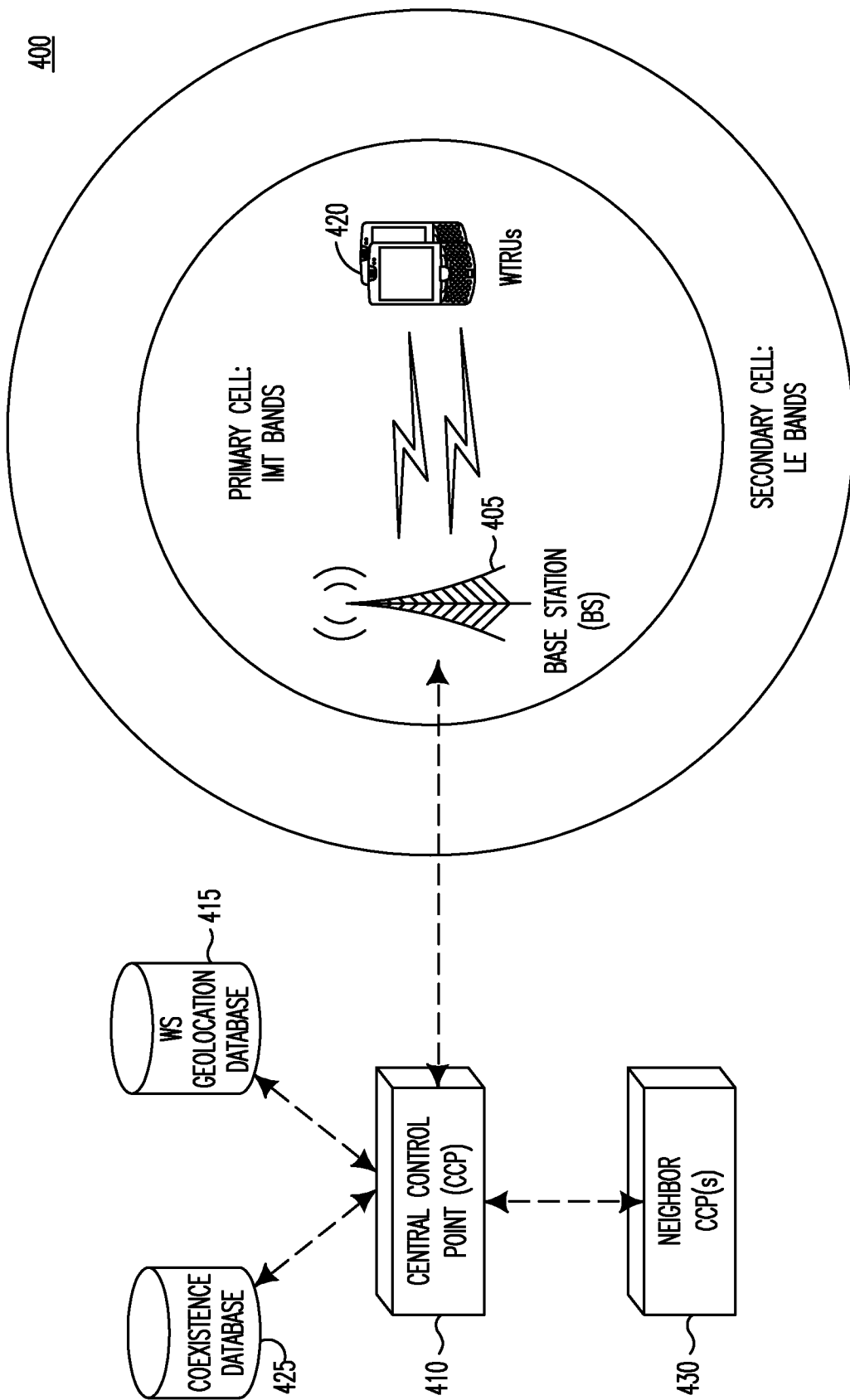


FIG. 4



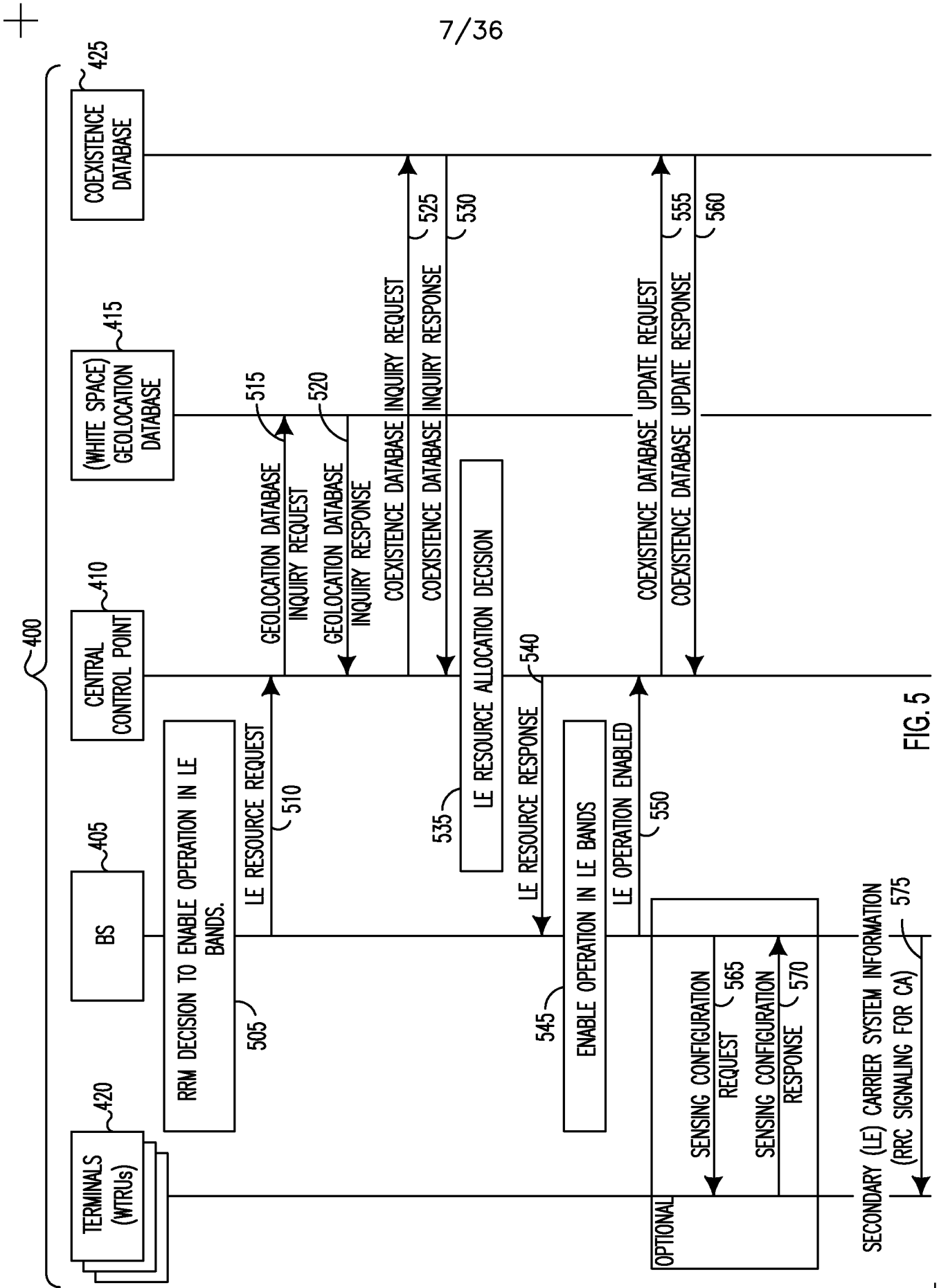


FIG. 5

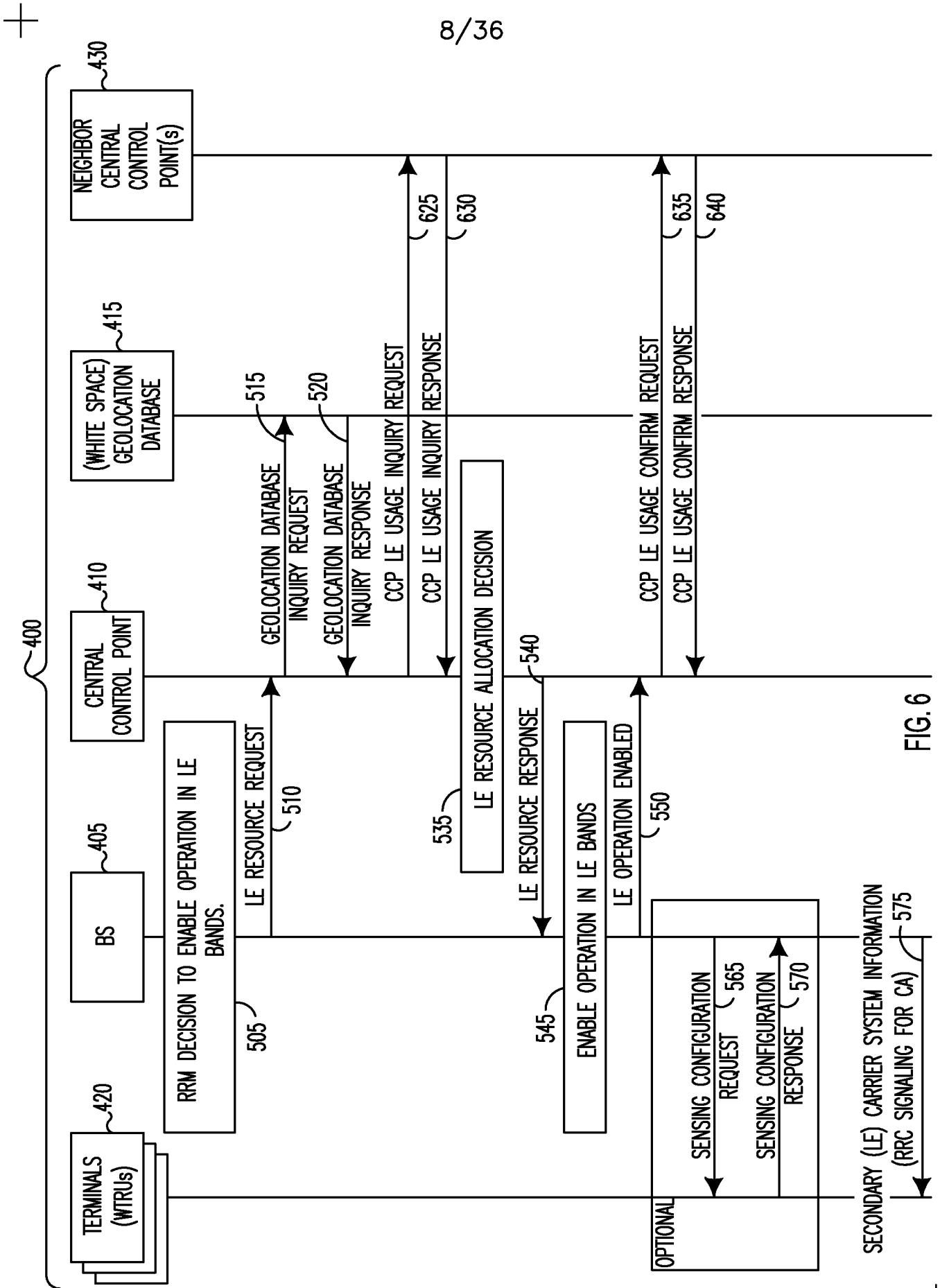


FIG. 6

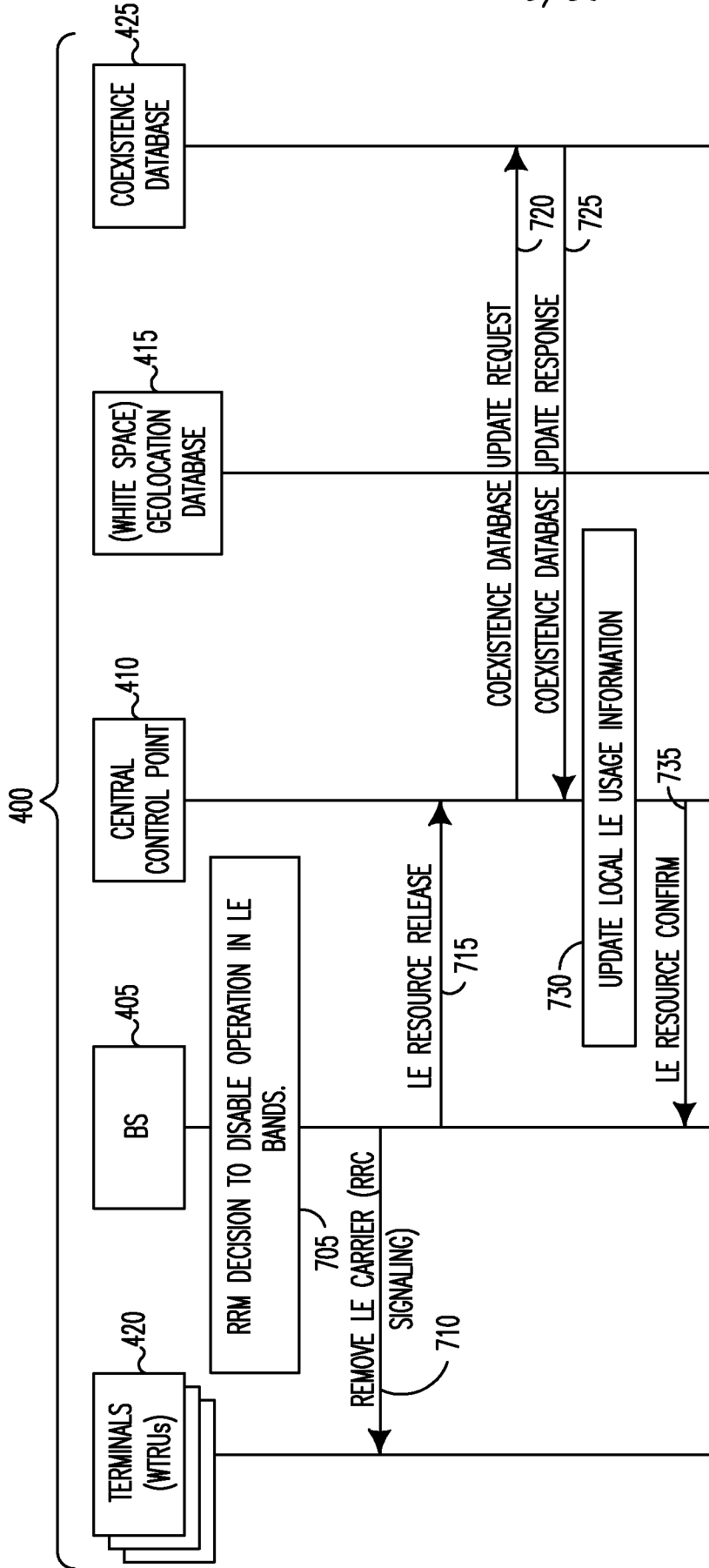


FIG. 7



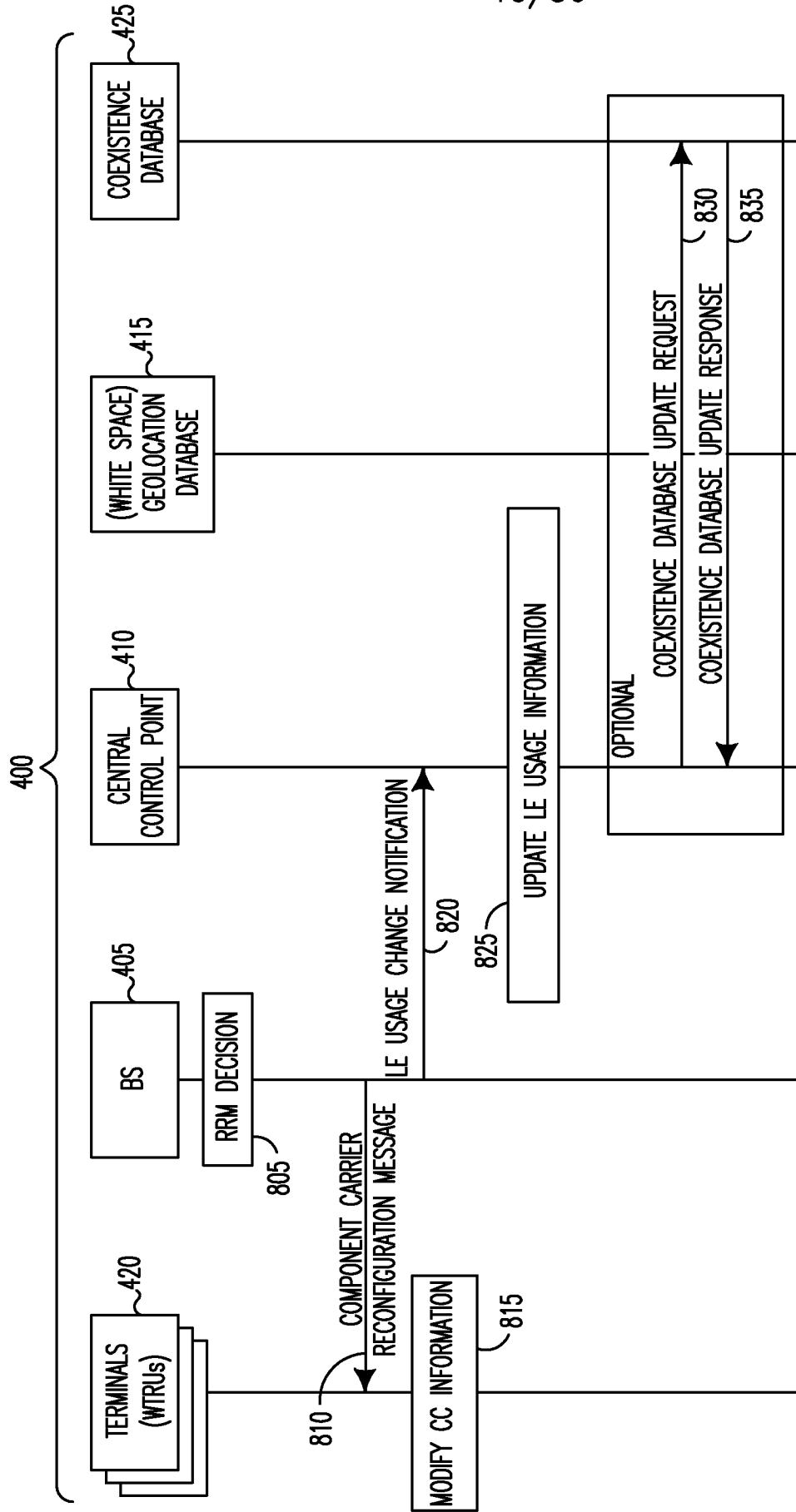
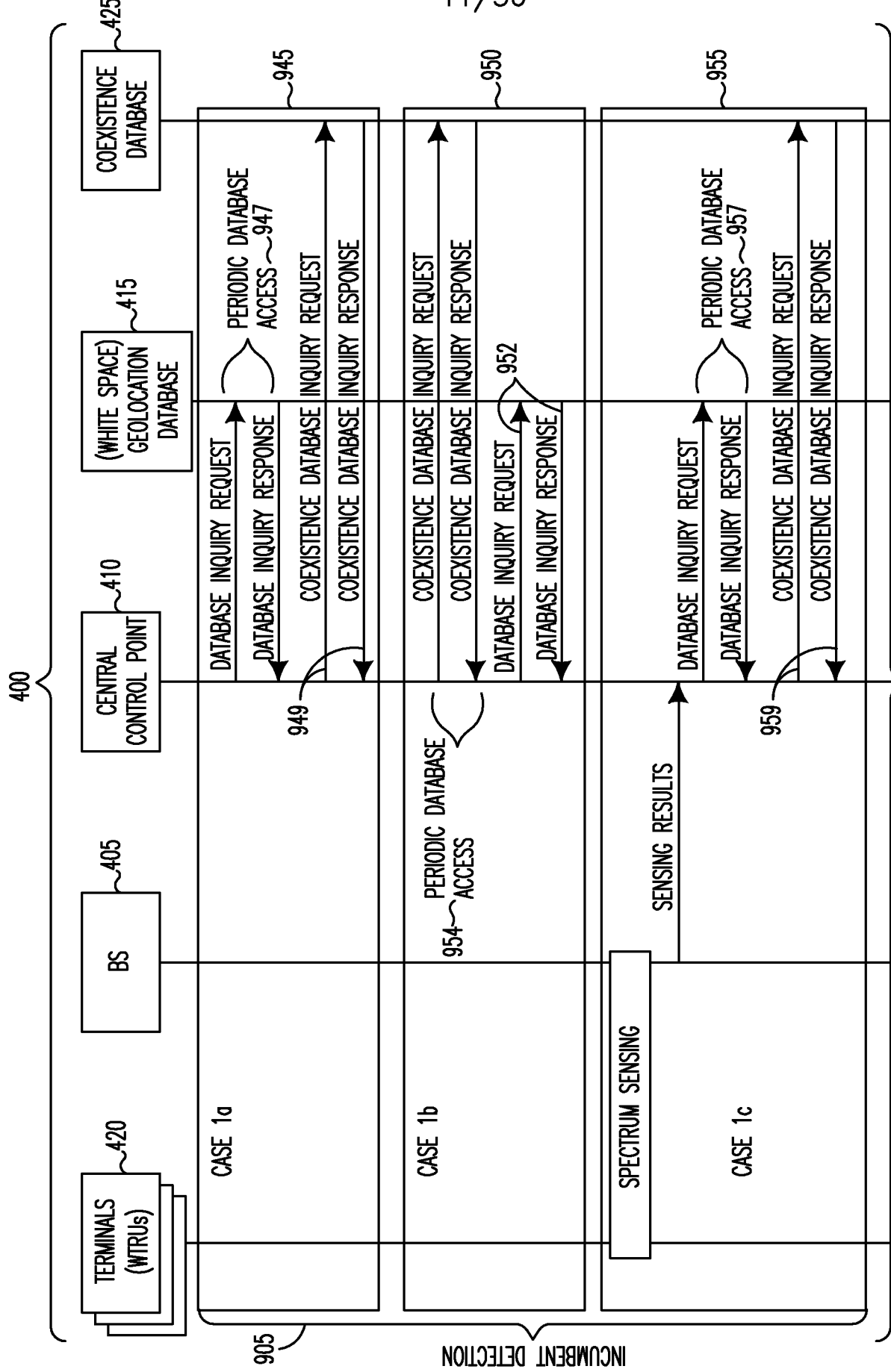


FIG. 8





CONTINUED ON FIG. 9B

FIG. 9A





FROM FIG. 9A

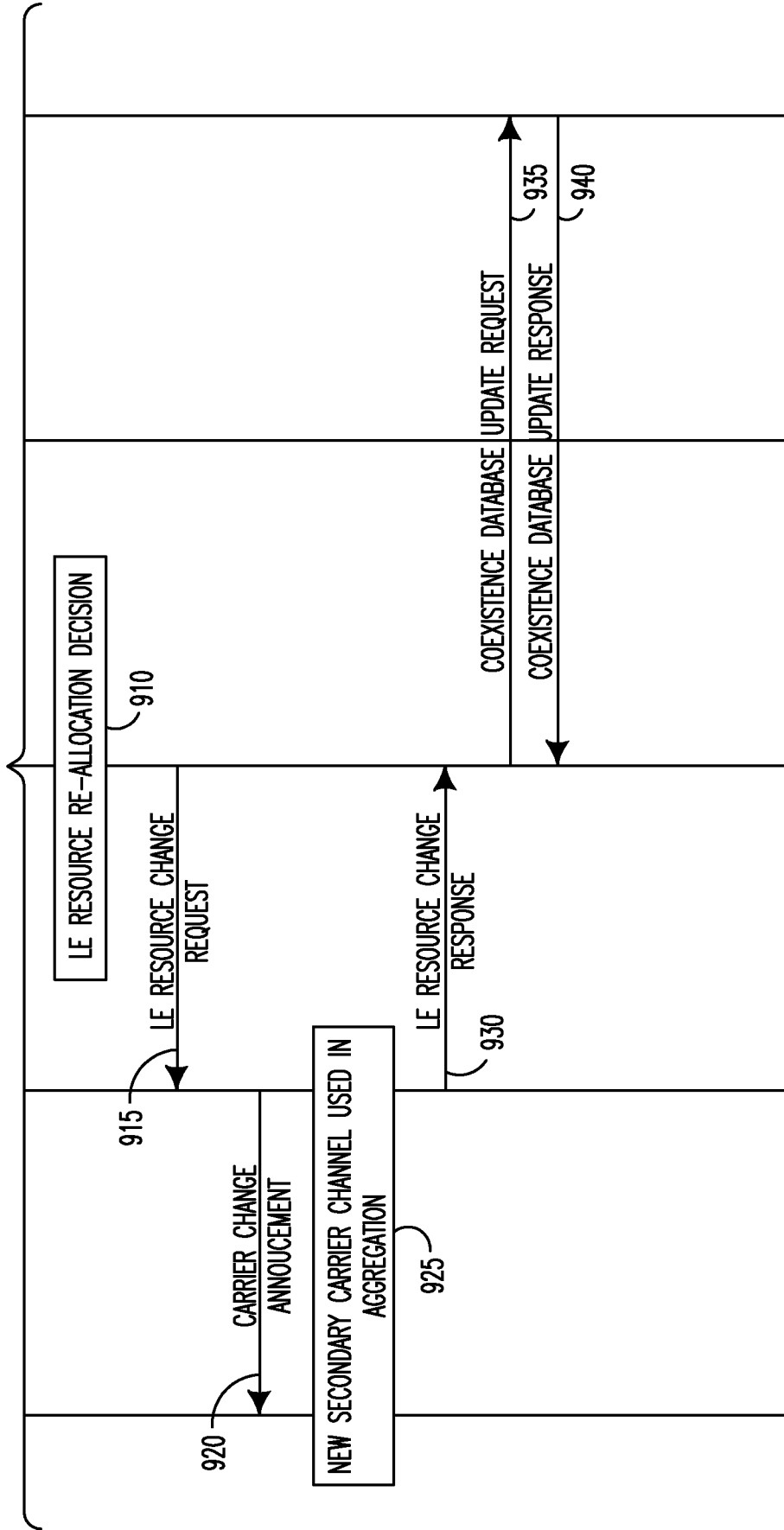
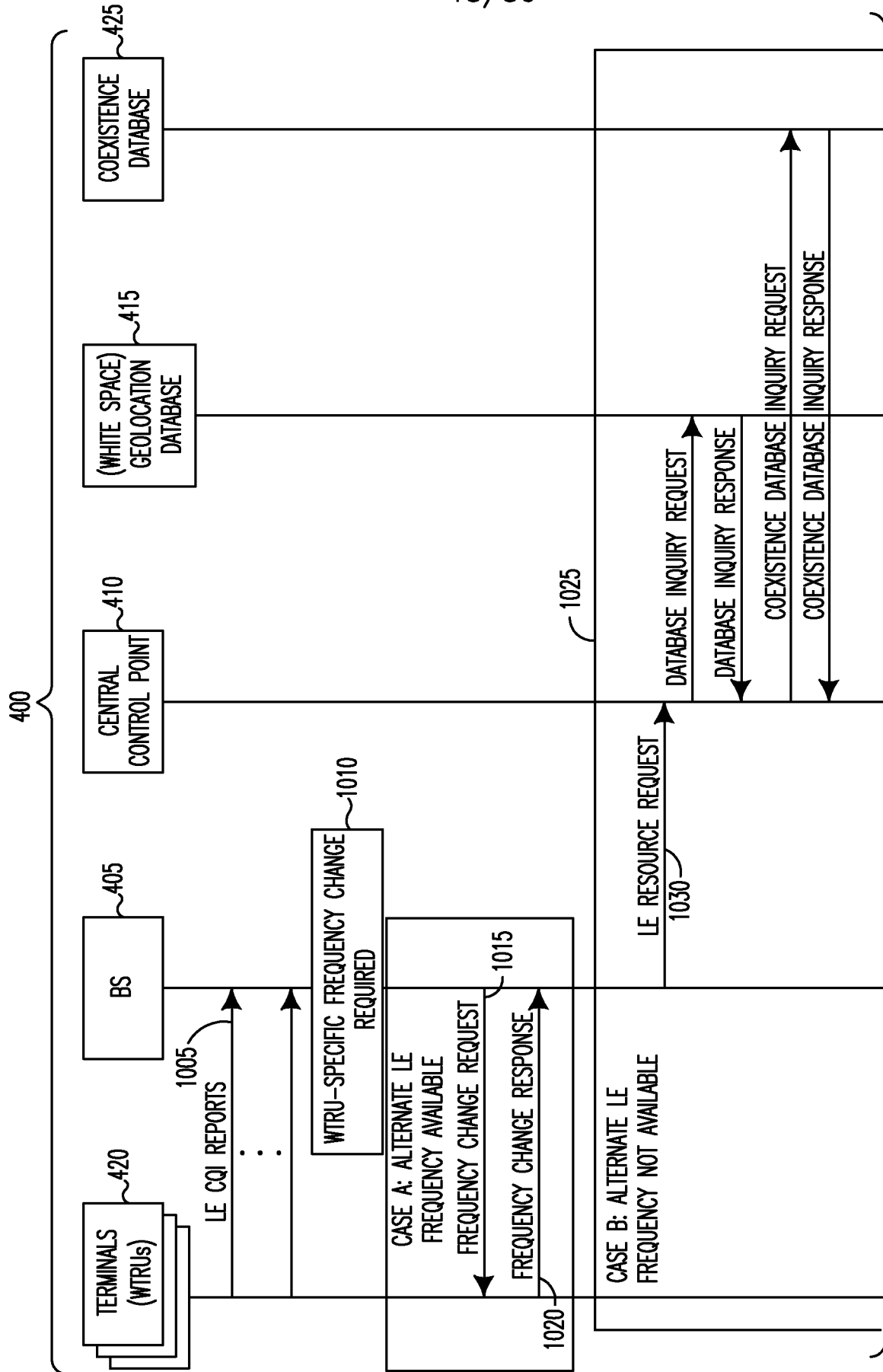


FIG. 9B



+



CONTINUED ON FIG. 10B

FIG. 10A

+

FROM FIG. 10A

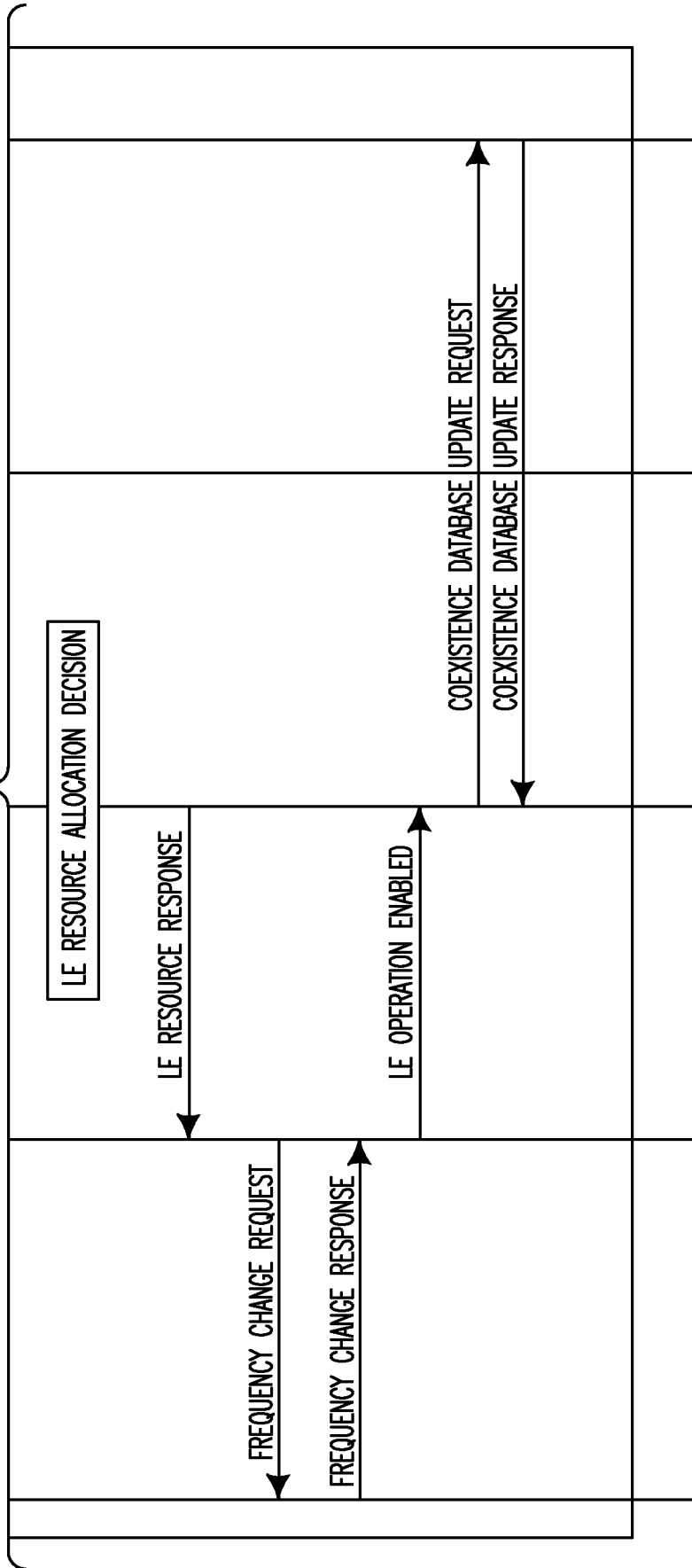
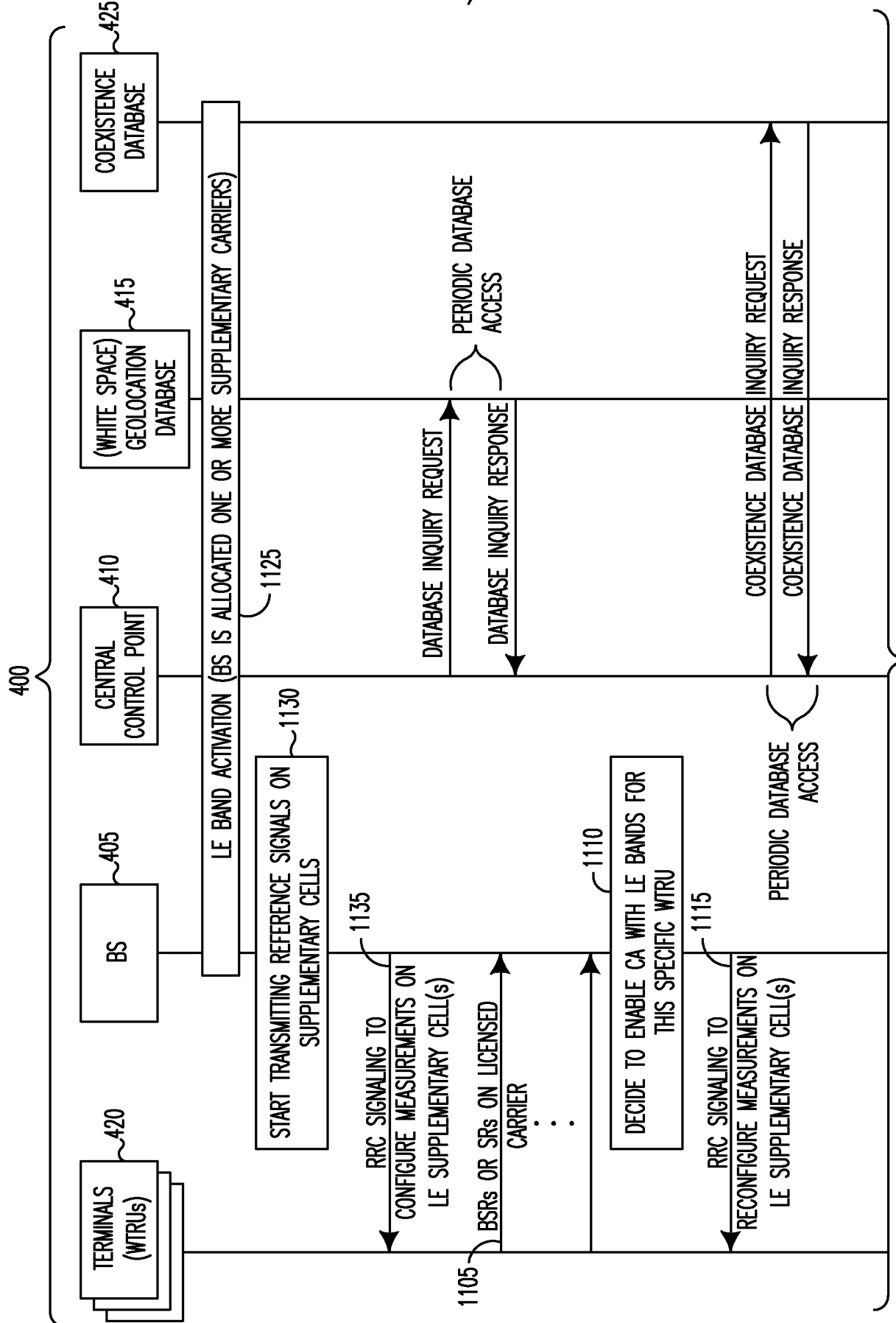


FIG. 10B





CONTINUED ON FIG. 11B

FIG. 11A





FROM FIG. 11A

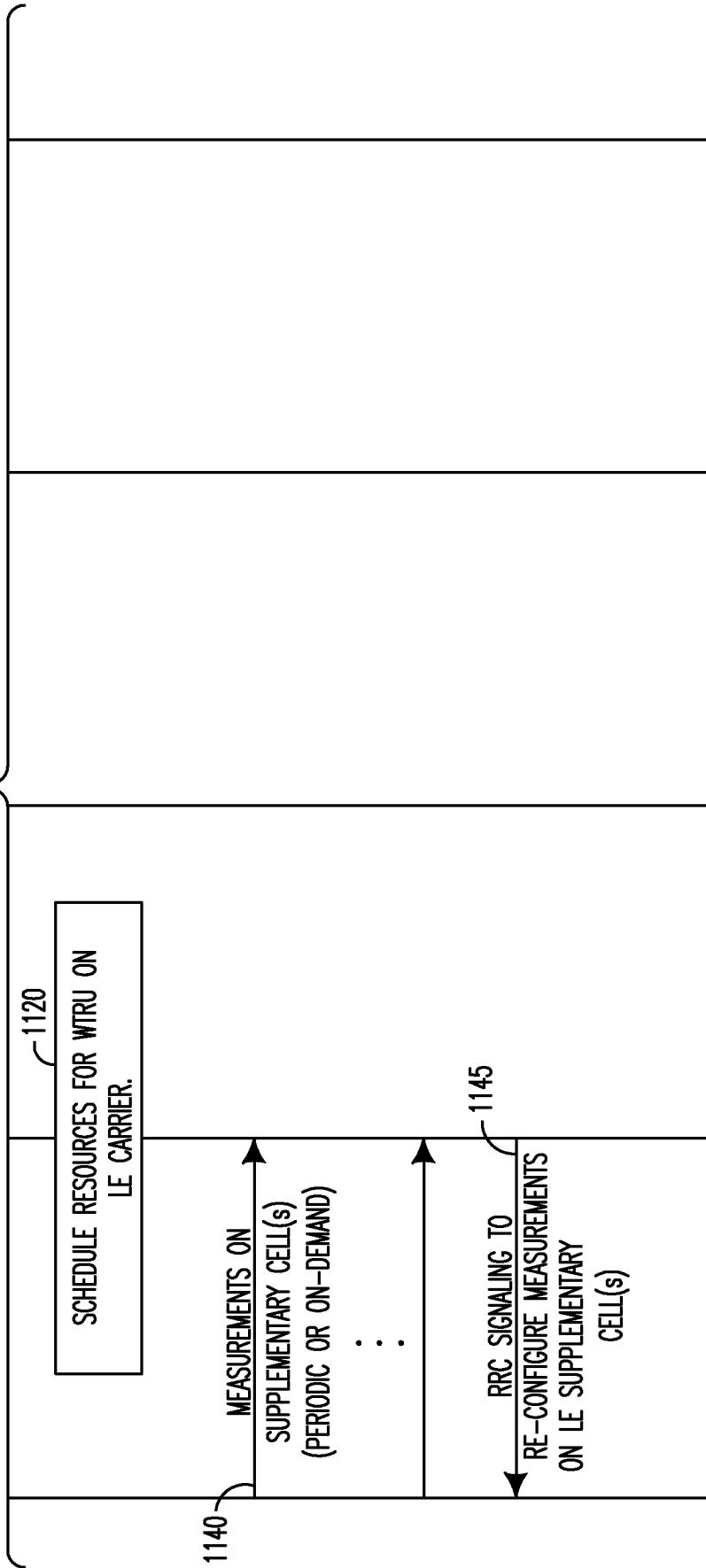


FIG. 11B



+

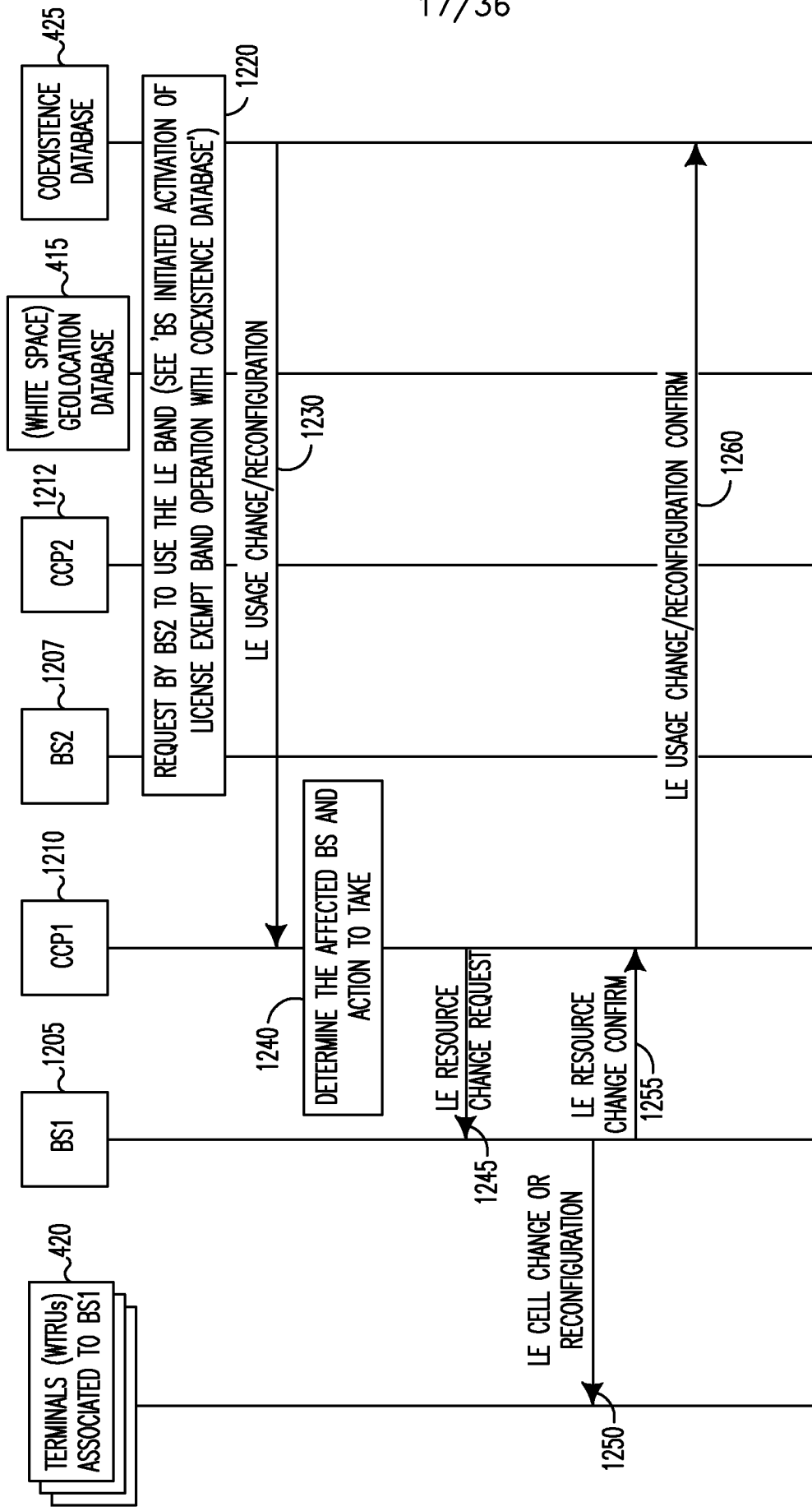


FIG. 12

+

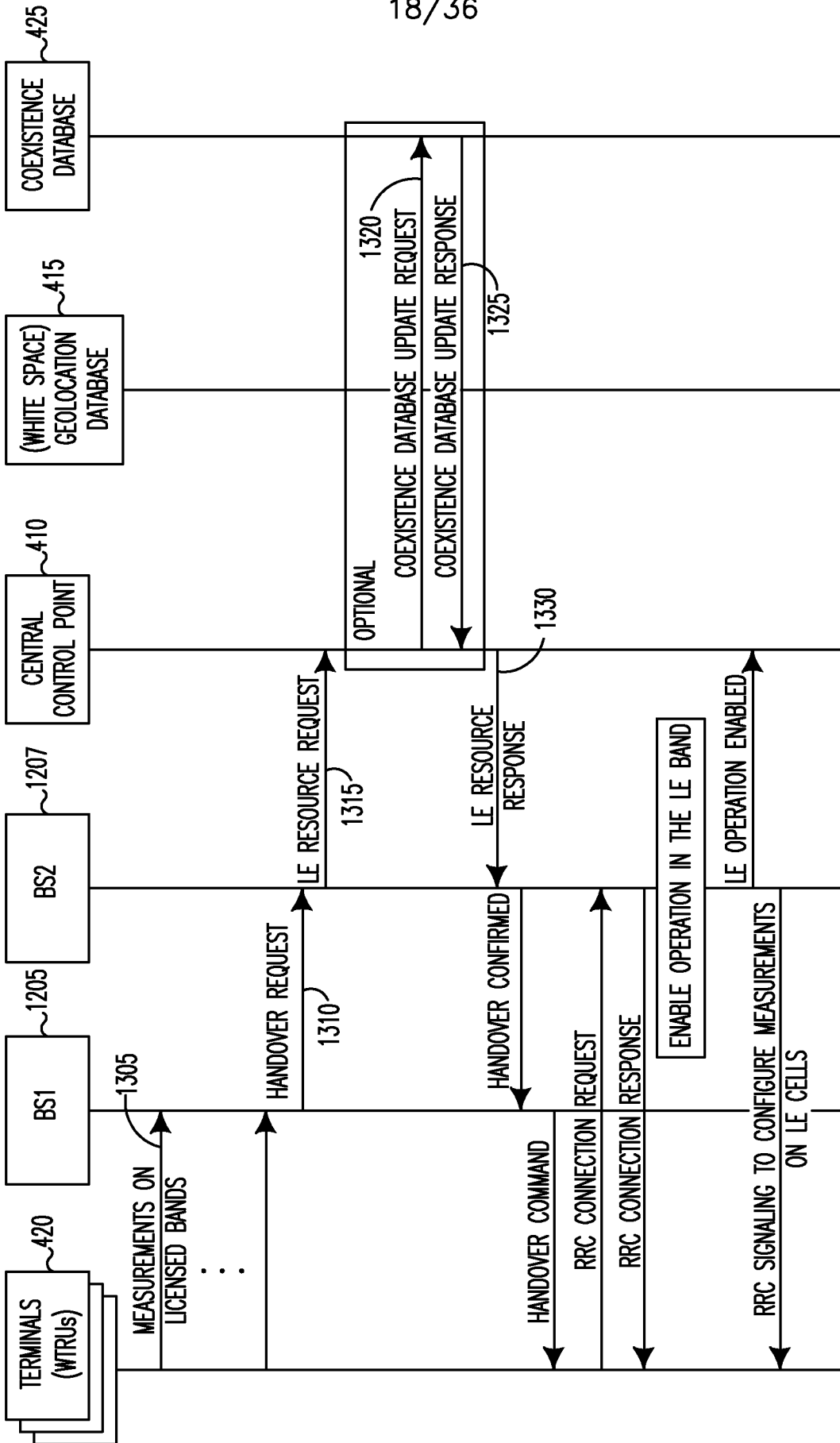


FIG. 13

1400

LE CHANNEL IE 1	• FREQUENCY & BW • COEXISTENCE RULES • SENSING RULES	PCI 1
		•
		•
LE CHANNEL IE 2	• FREQUENCY & BW • COEXISTENCE RULES • SENSING RULES	PCI m1
		•
		•
LE CHANNEL IE 3	• FREQUENCY & BW • COEXISTENCE RULES • SENSING RULES	PCI 1
		•
		•
LE CHANNEL IE n	• FREQUENCY & BW • COEXISTENCE RULES • SENSING RULES	PCI m2
		•
		•
LE CHANNEL IE n	• FREQUENCY & BW • COEXISTENCE RULES • SENSING RULES	PCI 1
		•
		•
		PCI mn

FIG. 14

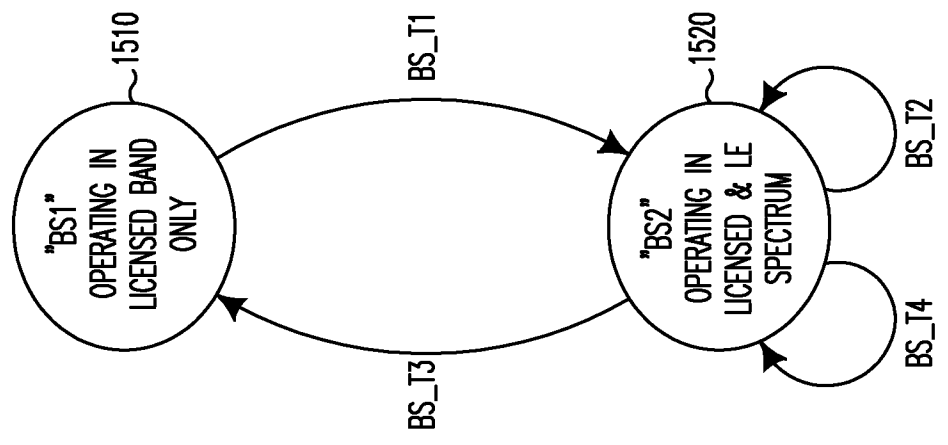


FIG. 15

+

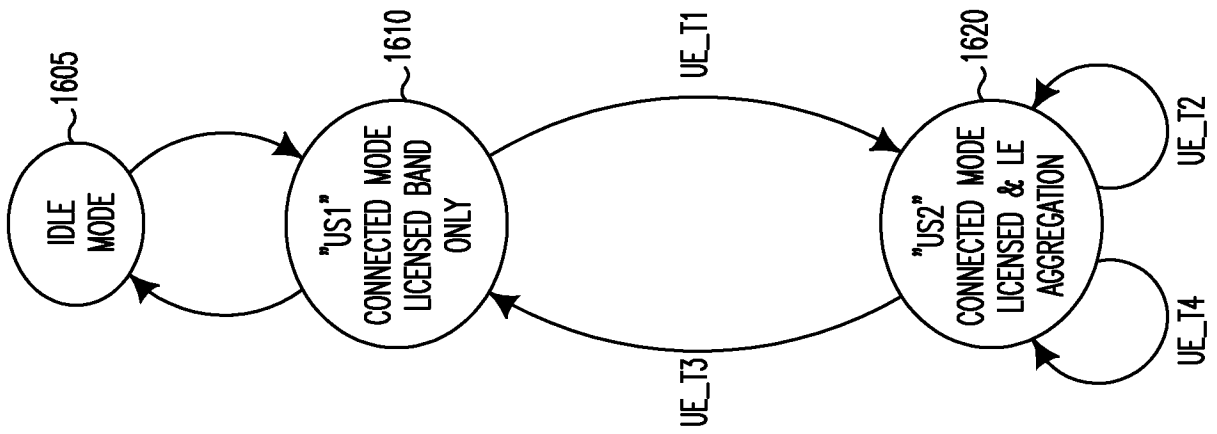


FIG. 16

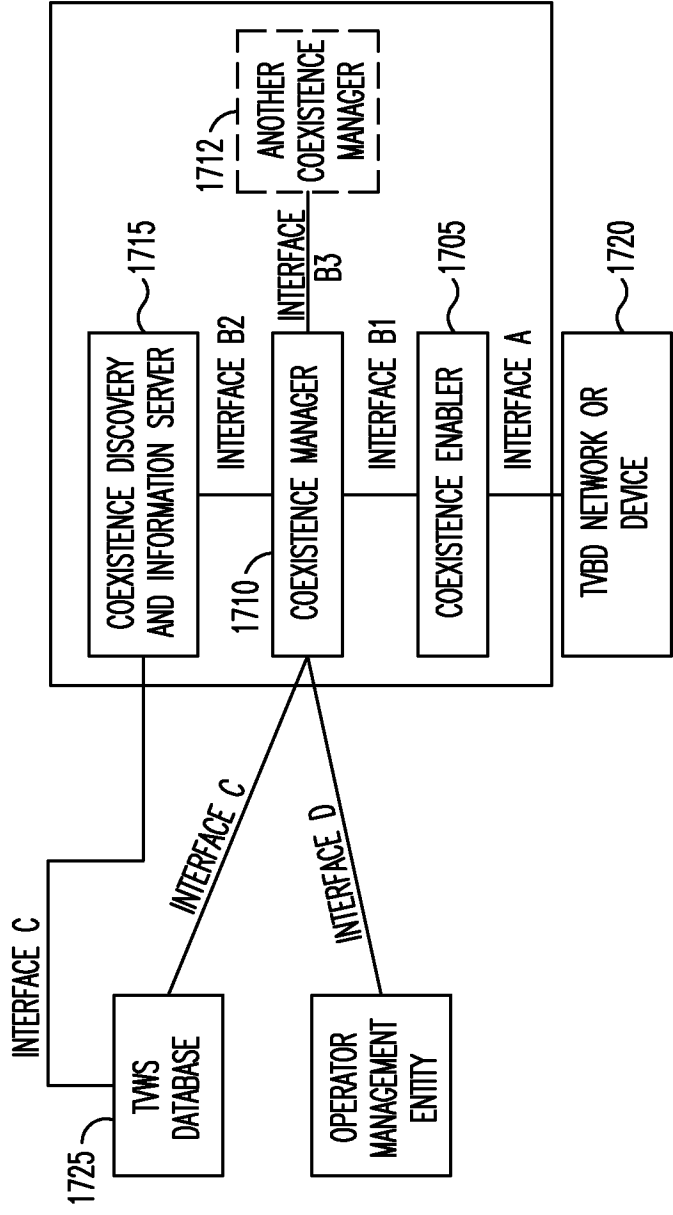


FIG. 17

+

+

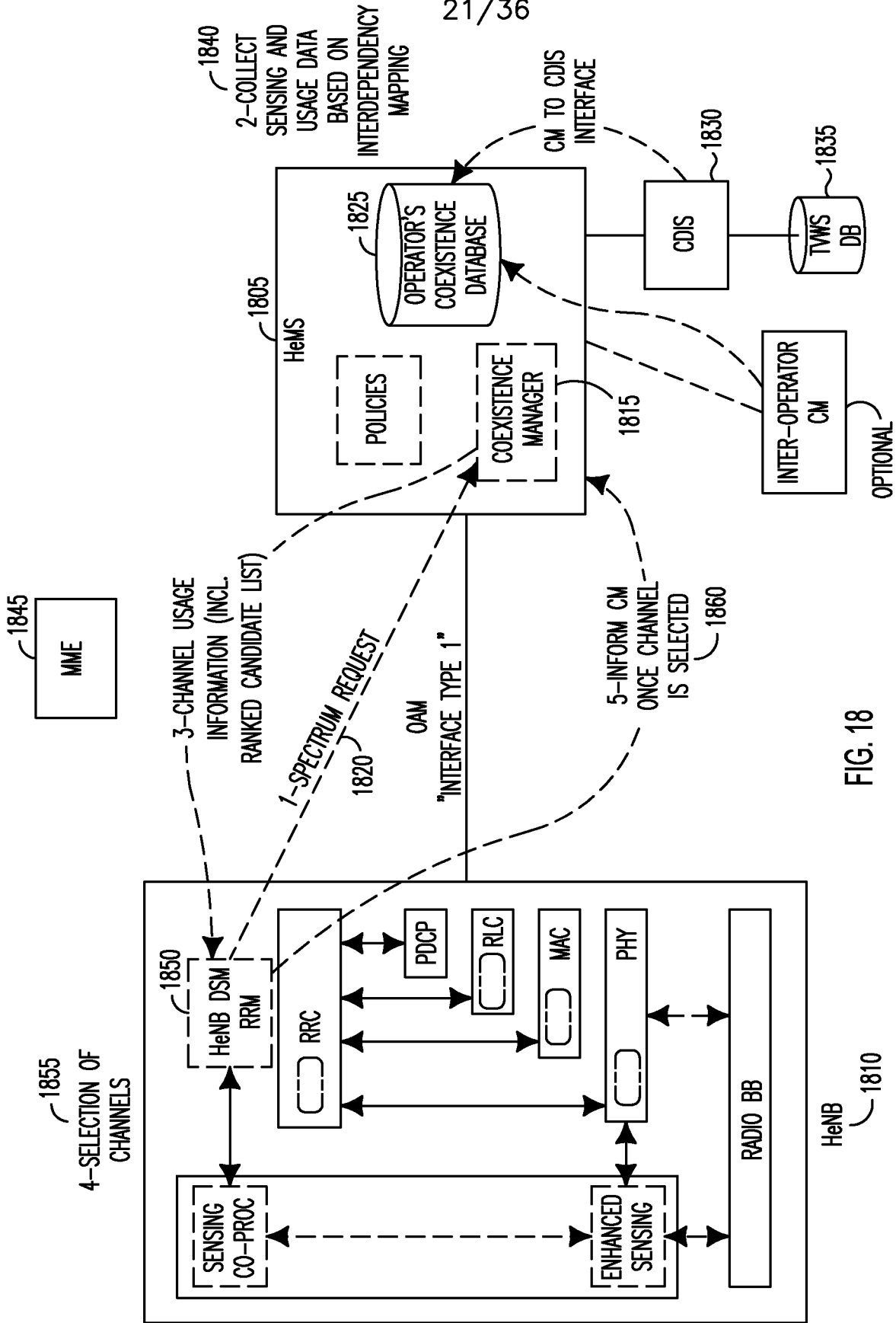


FIG. 18



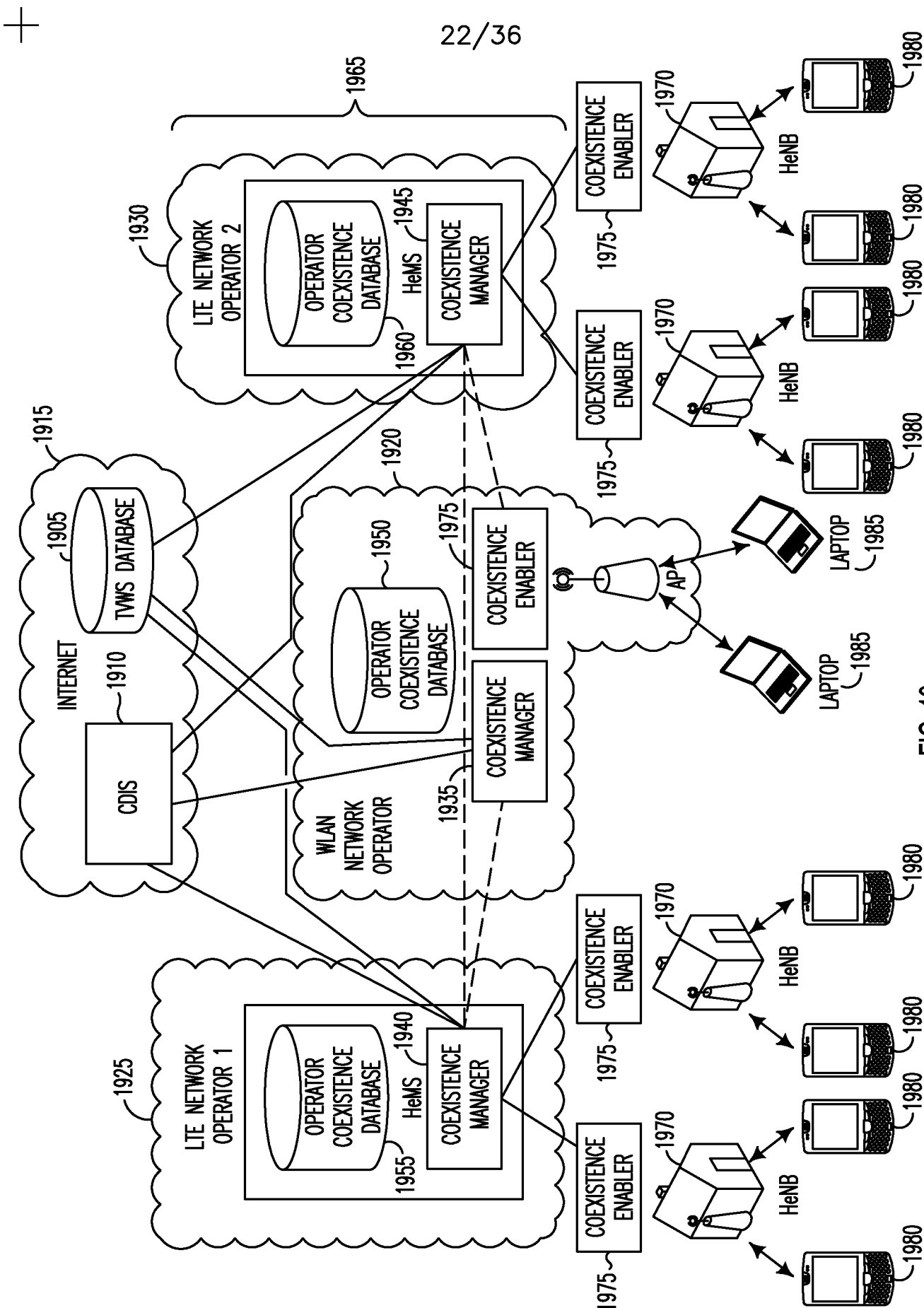


FIG. 19



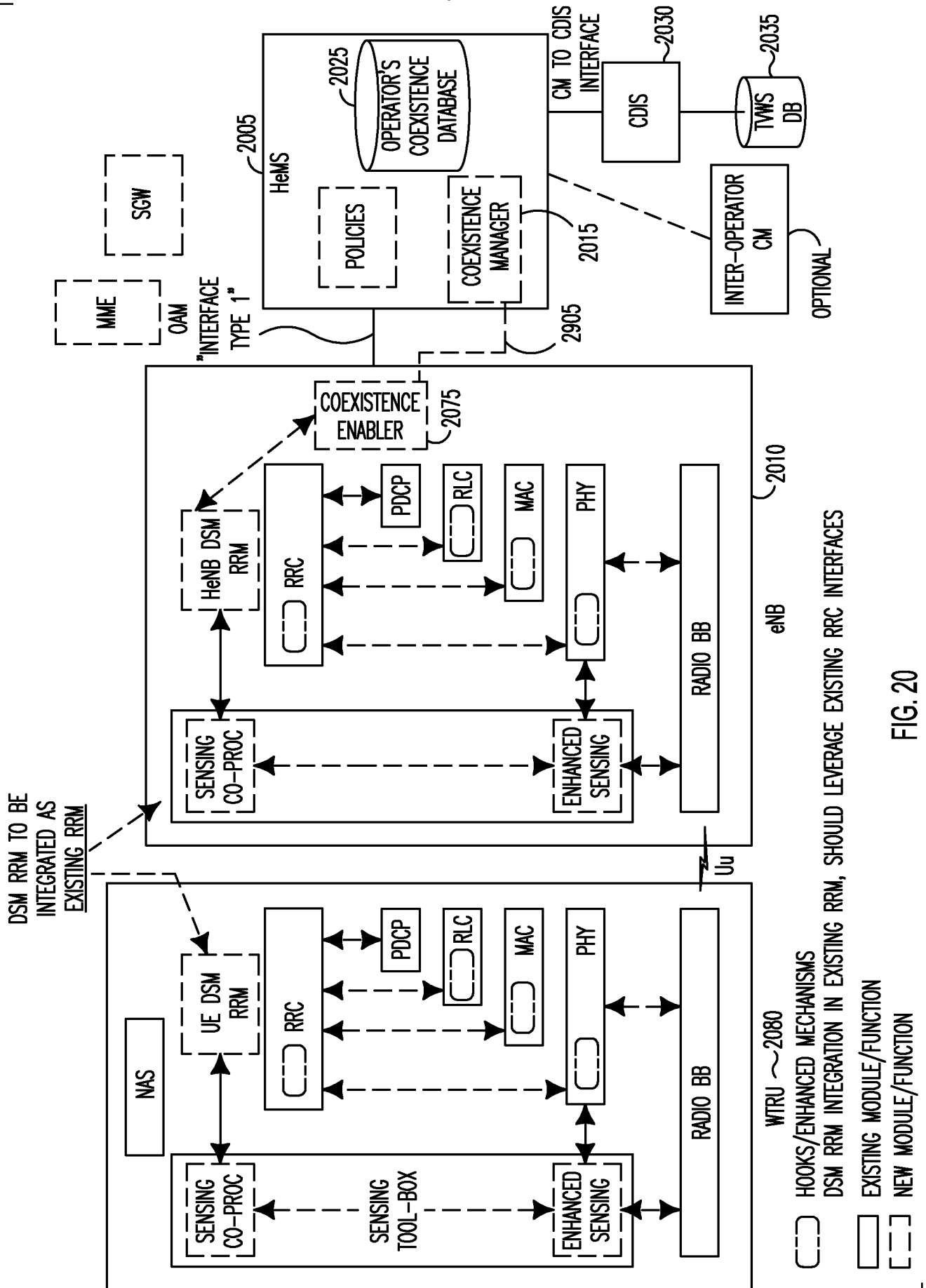


FIG. 20

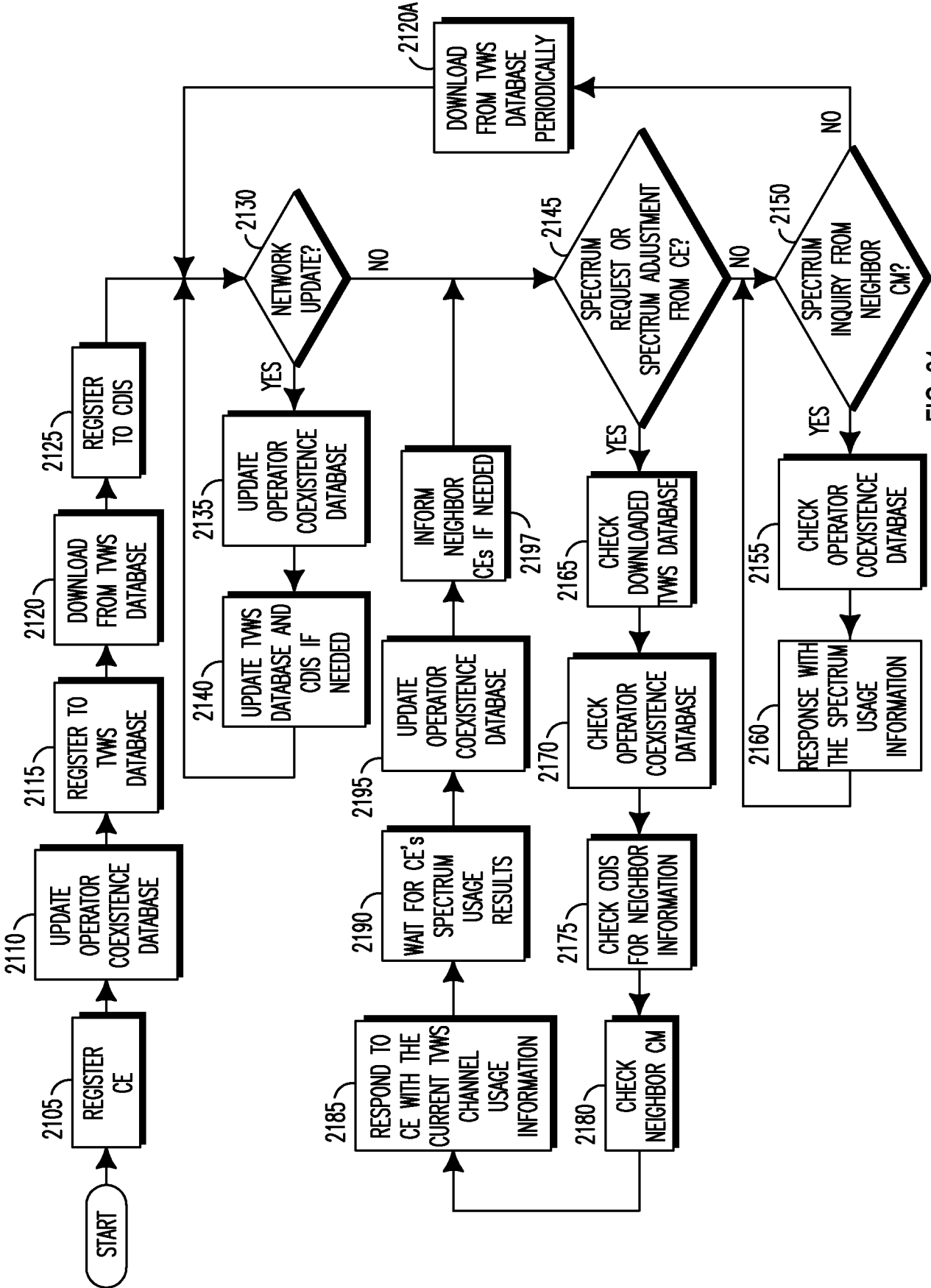


FIG. 21



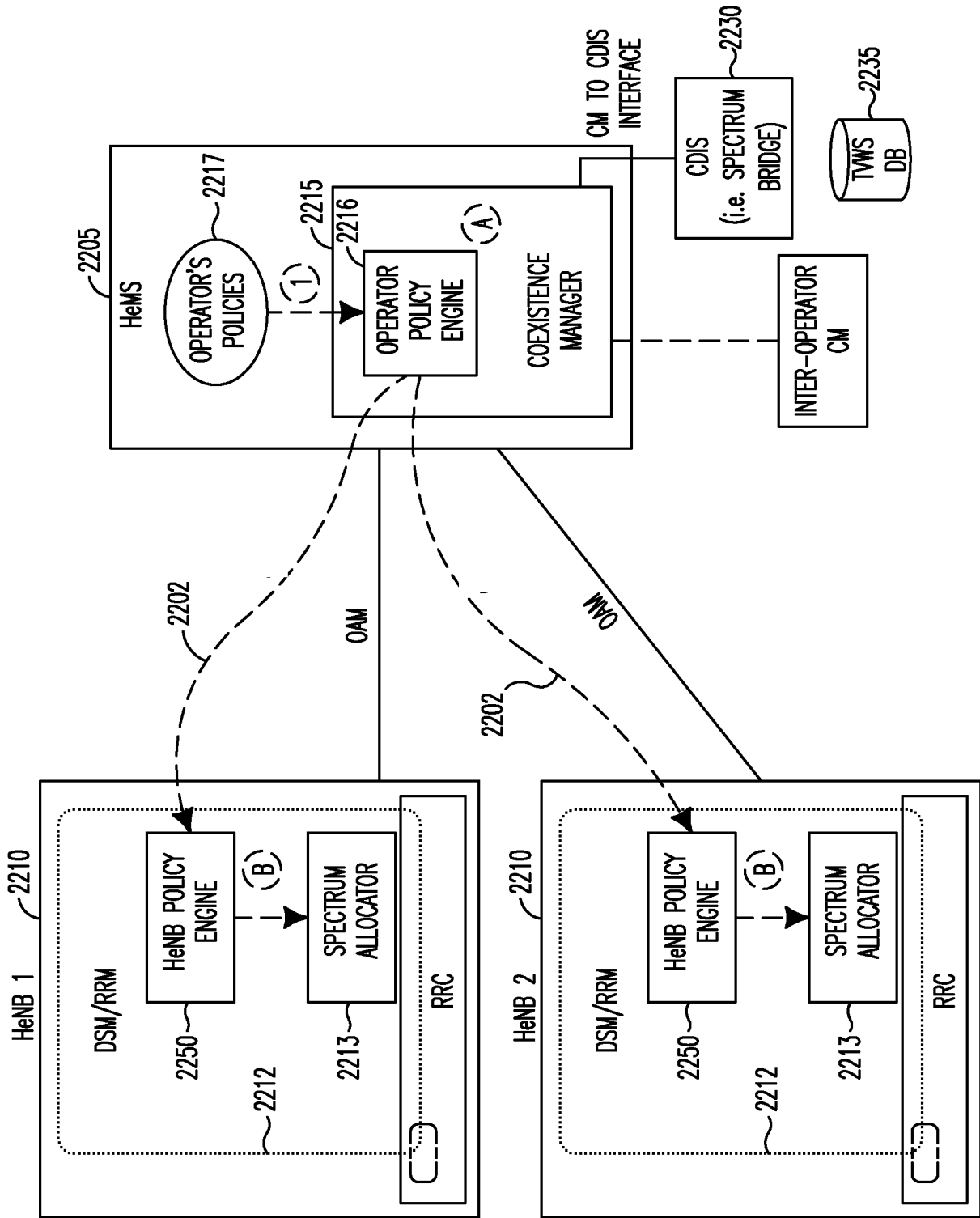


FIG. 22

26/36

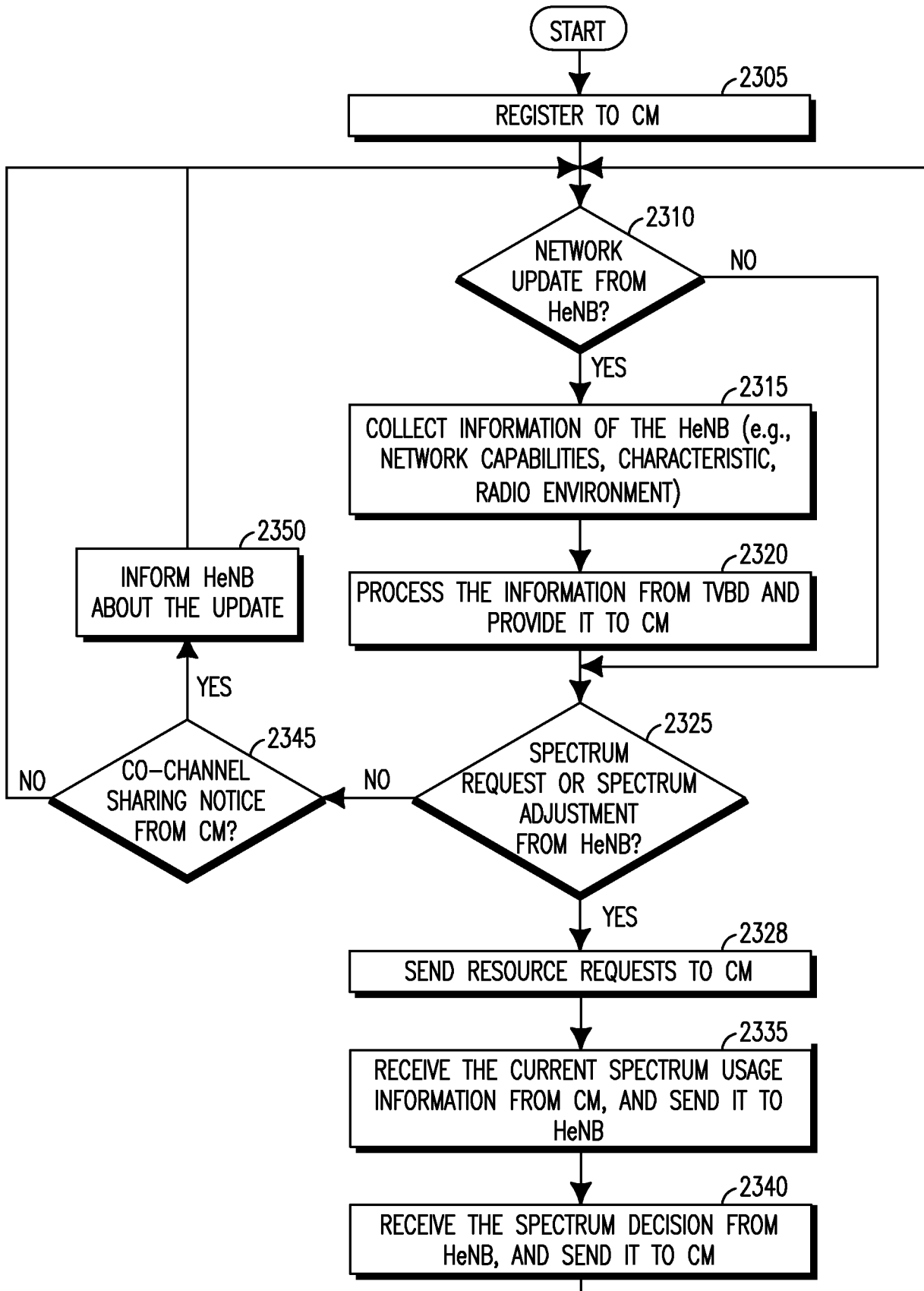


FIG. 23

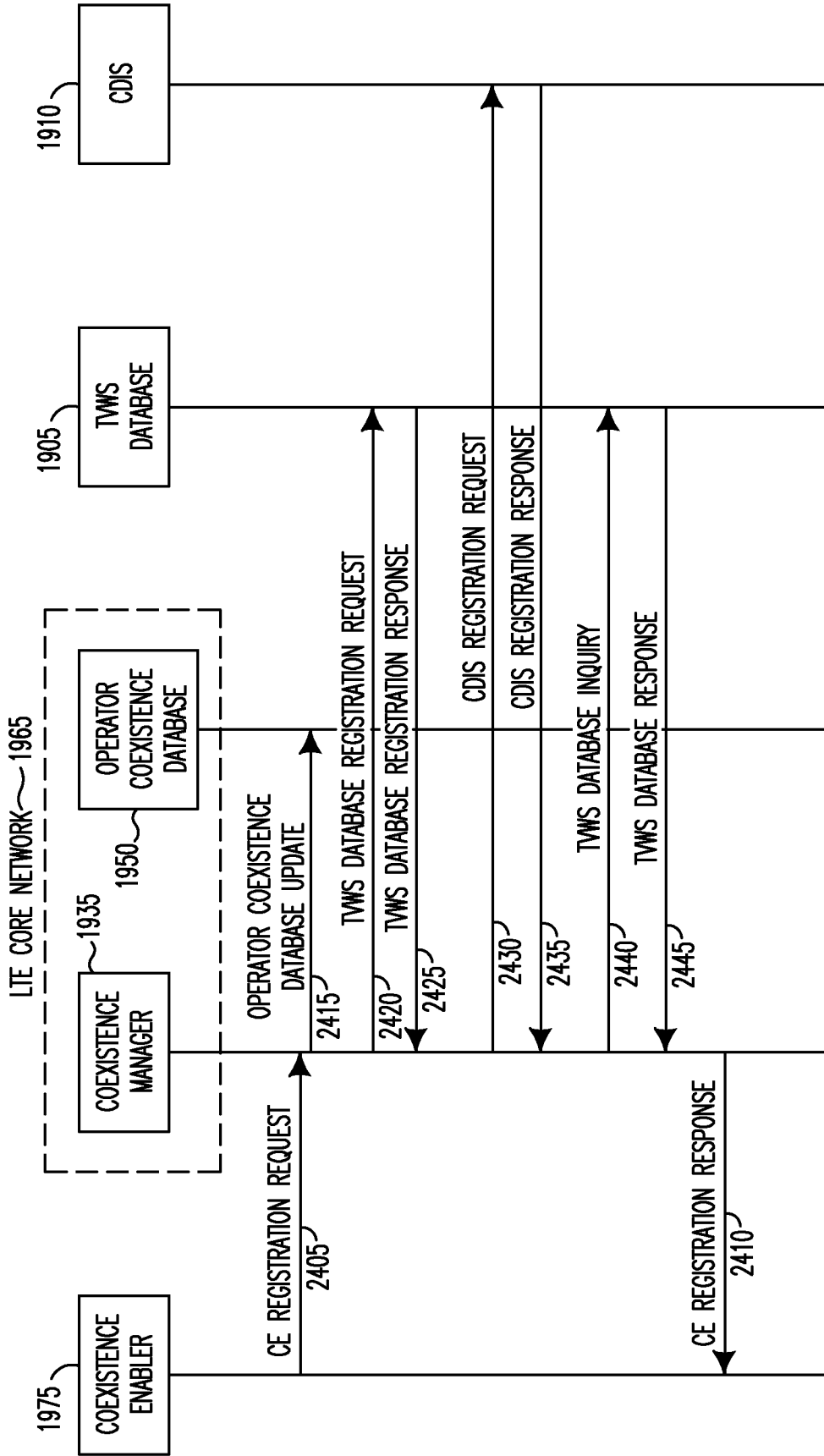


FIG. 24



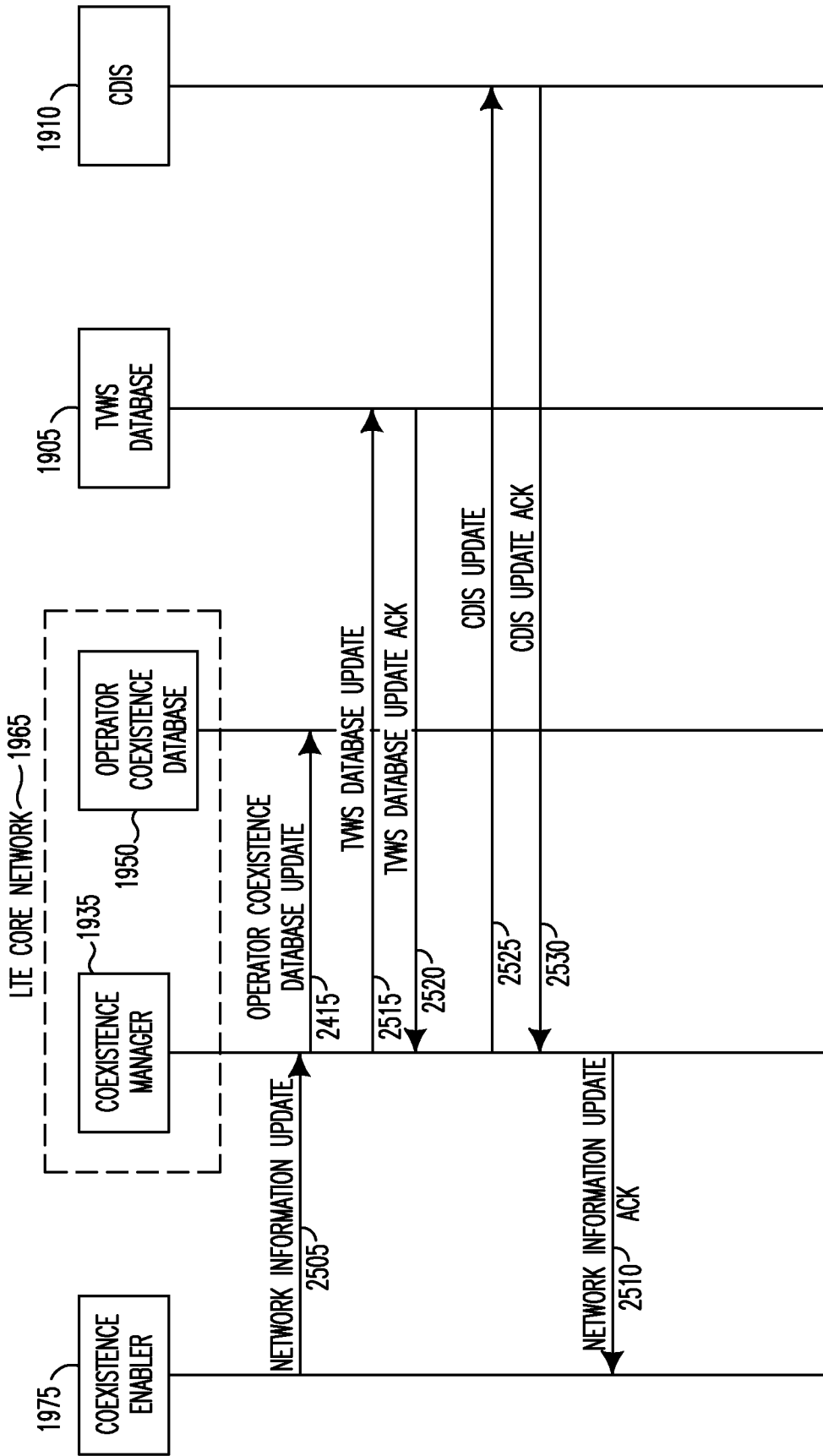


FIG. 25



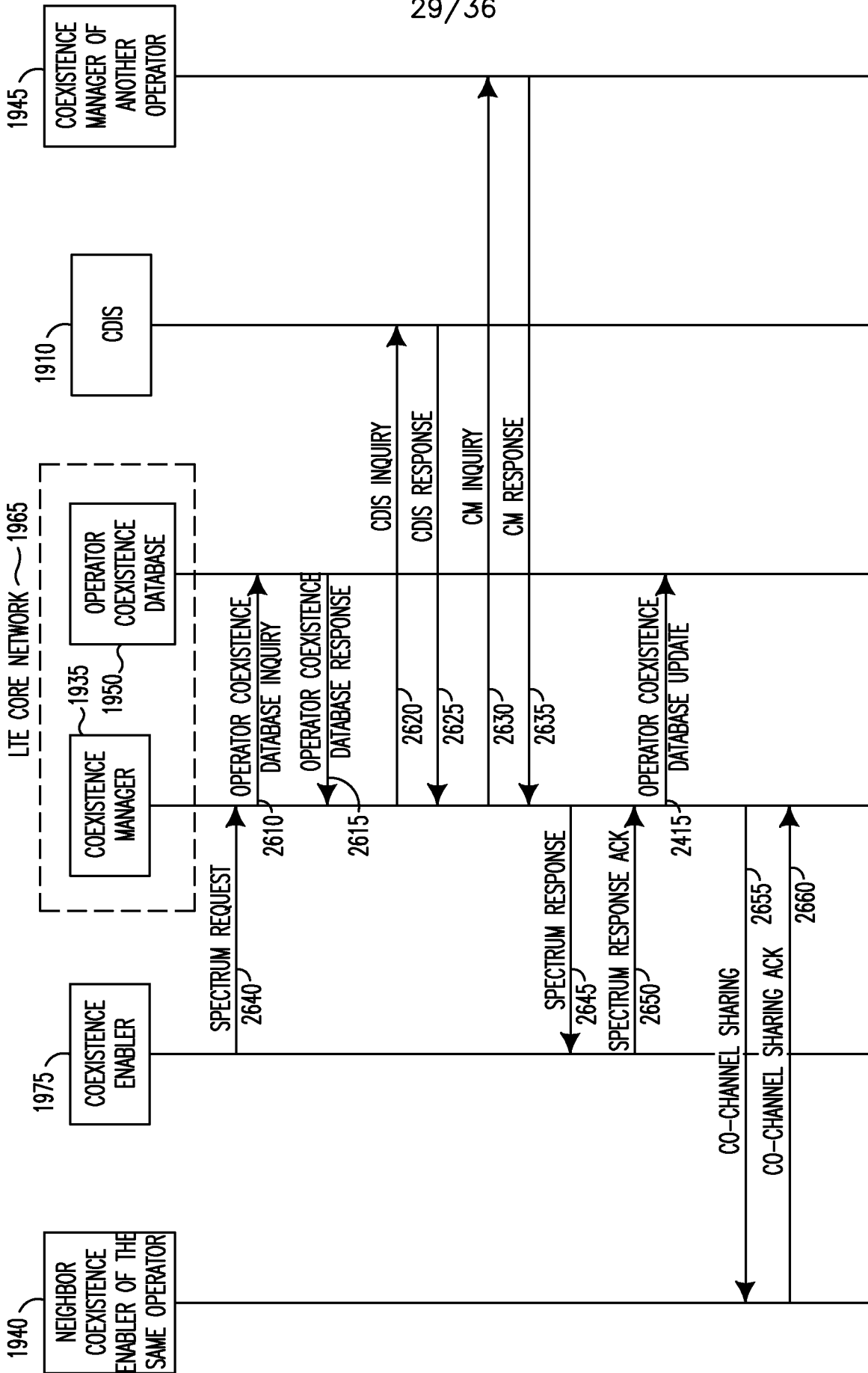


FIG. 26



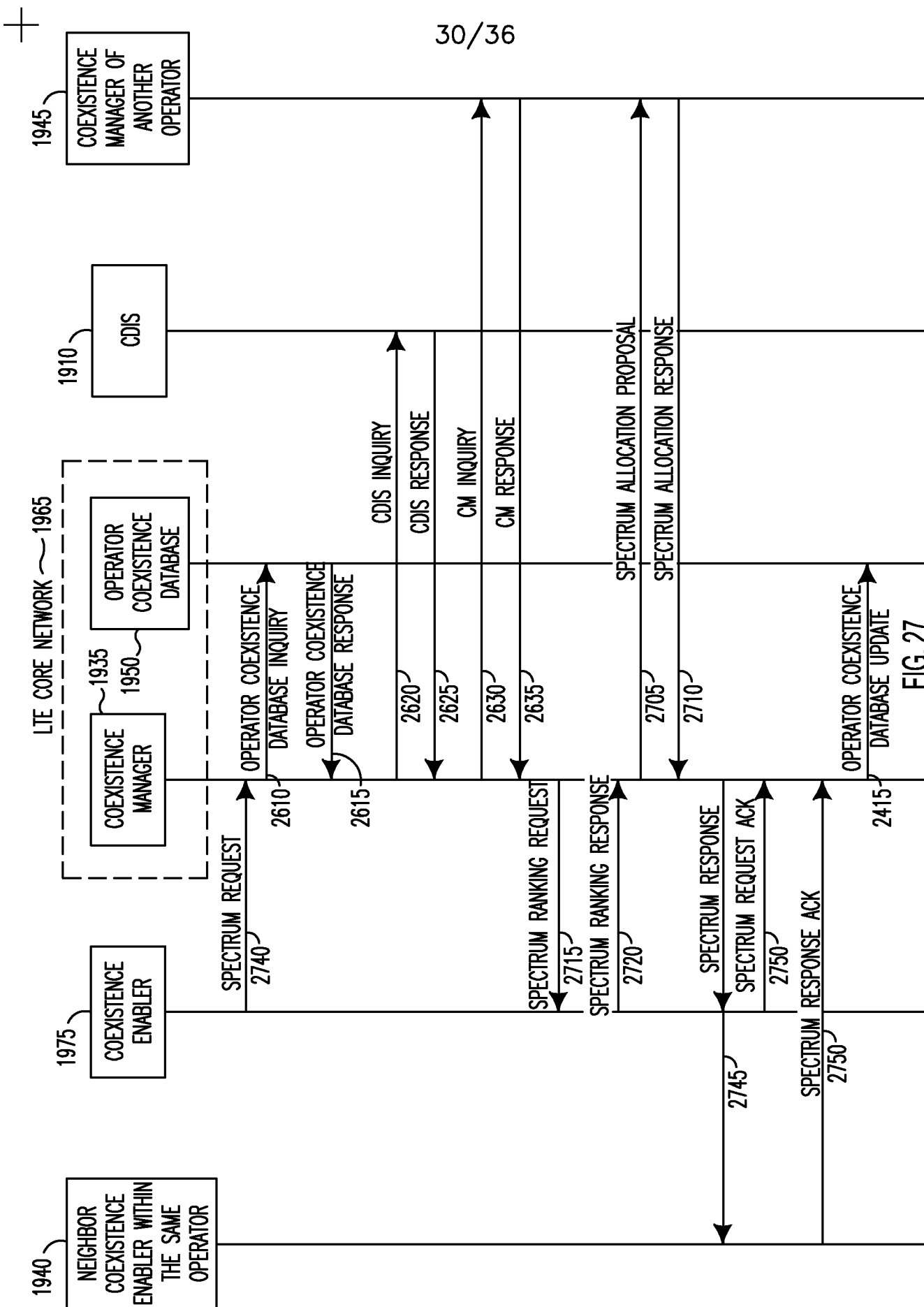


FIG. 27

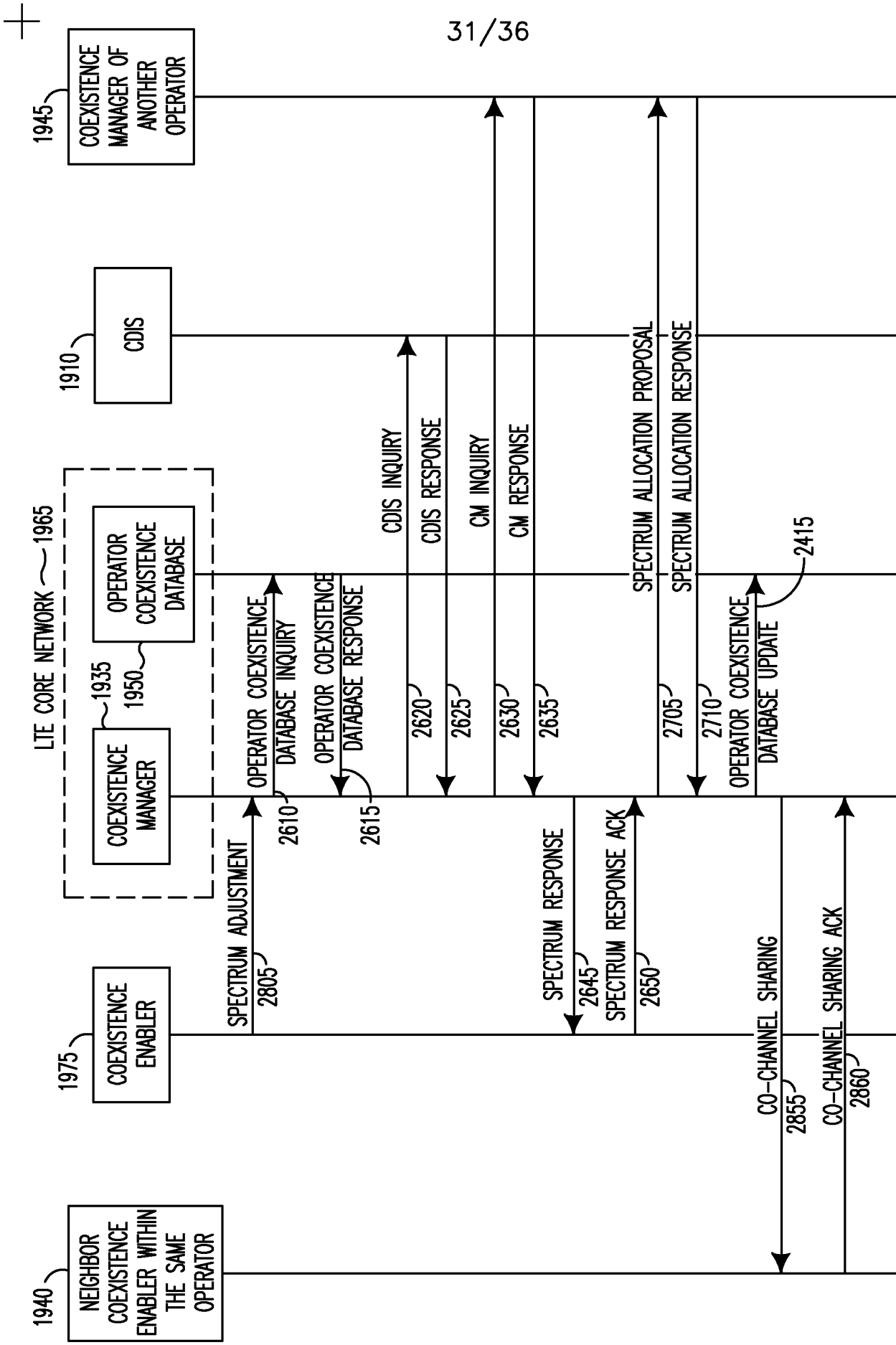


FIG. 28

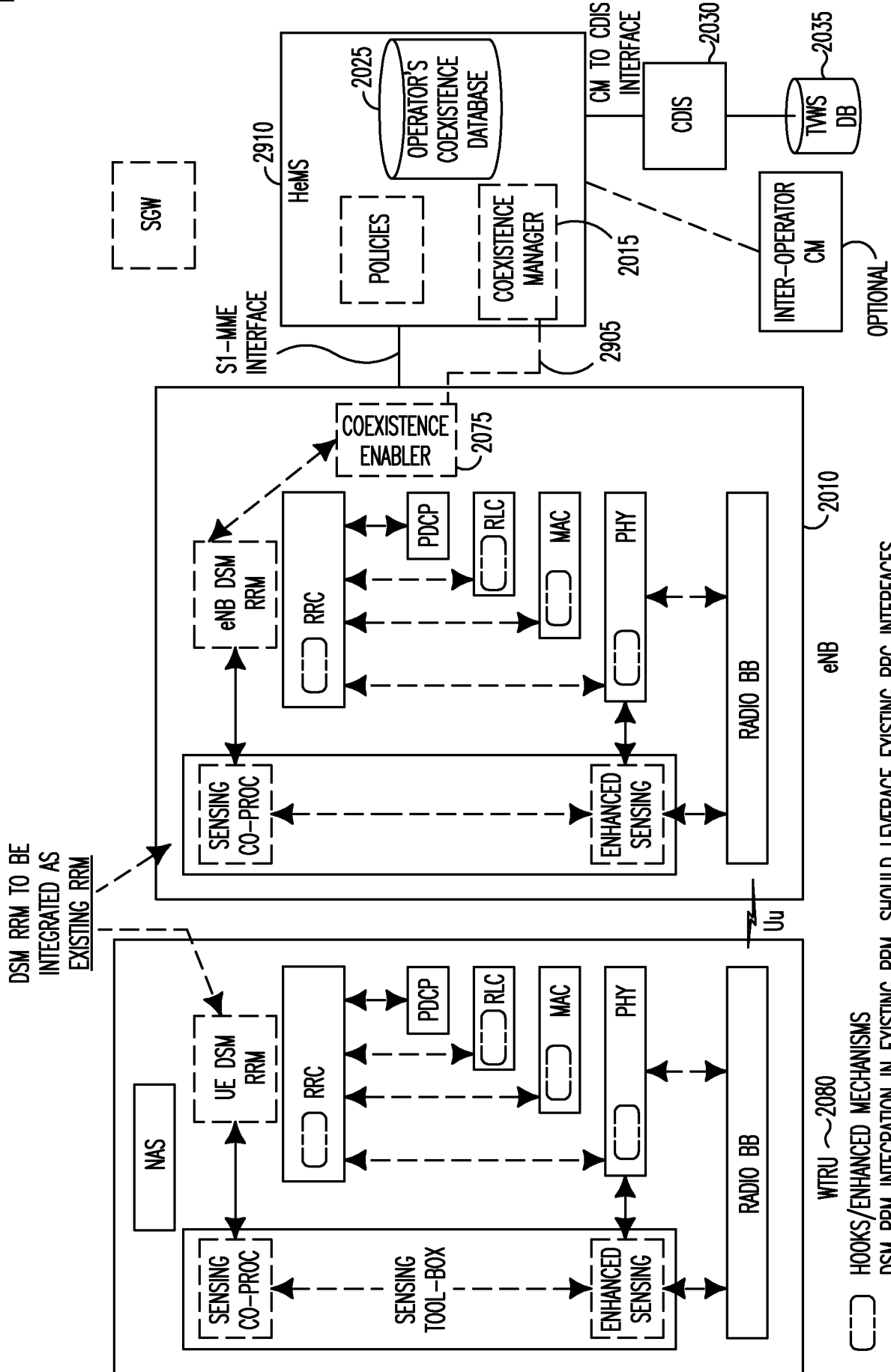


FIG. 29

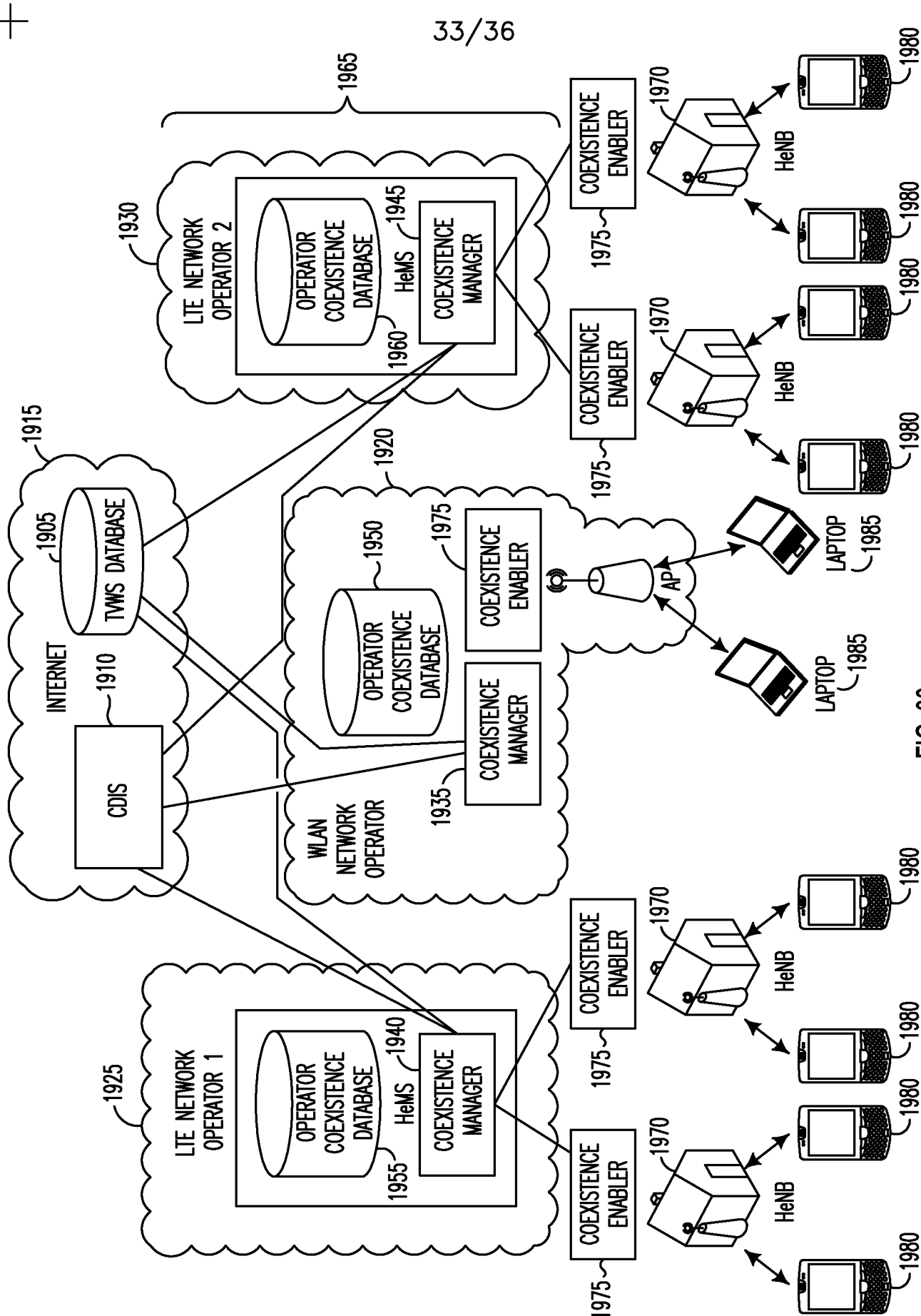


FIG. 30

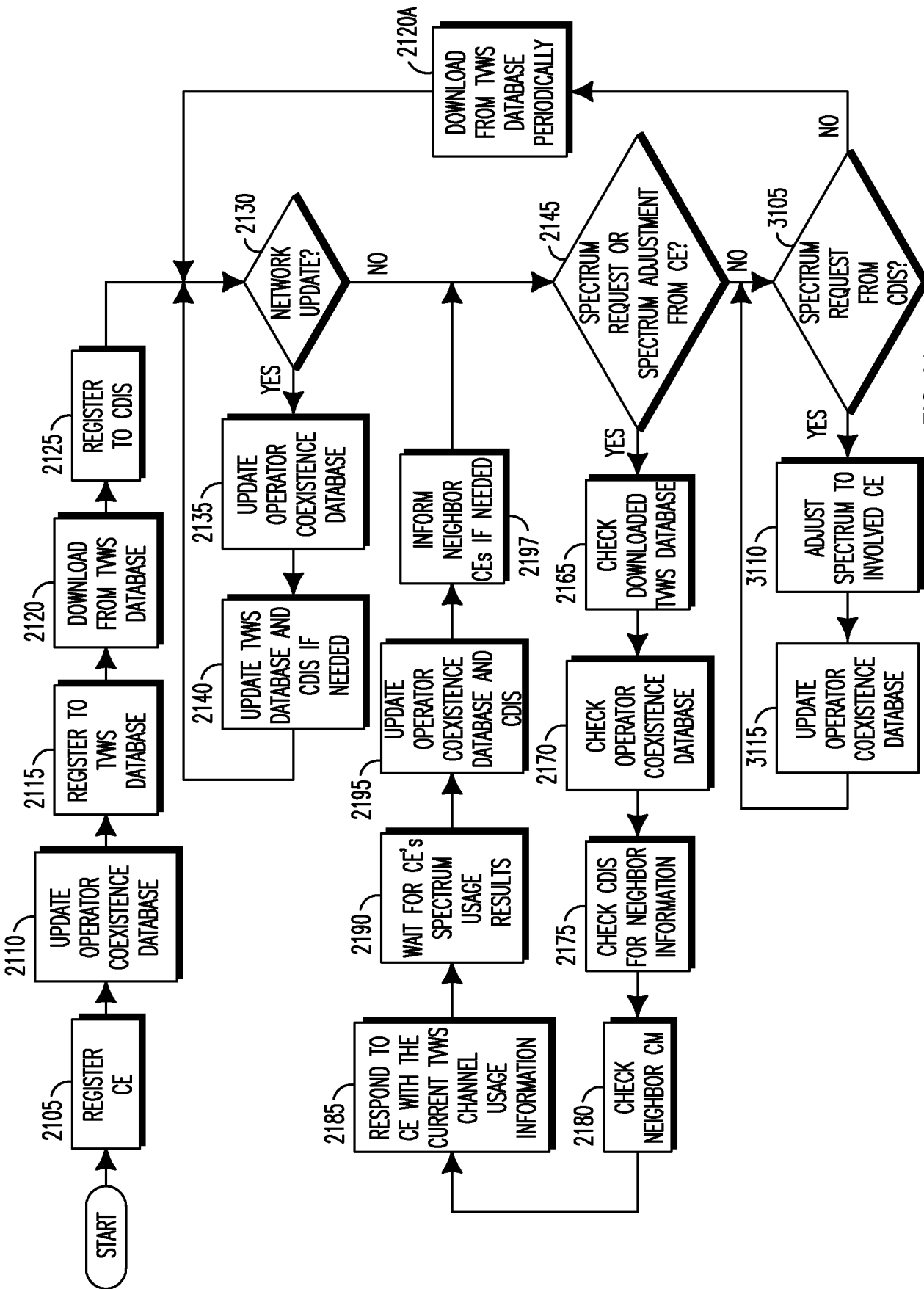


FIG. 31



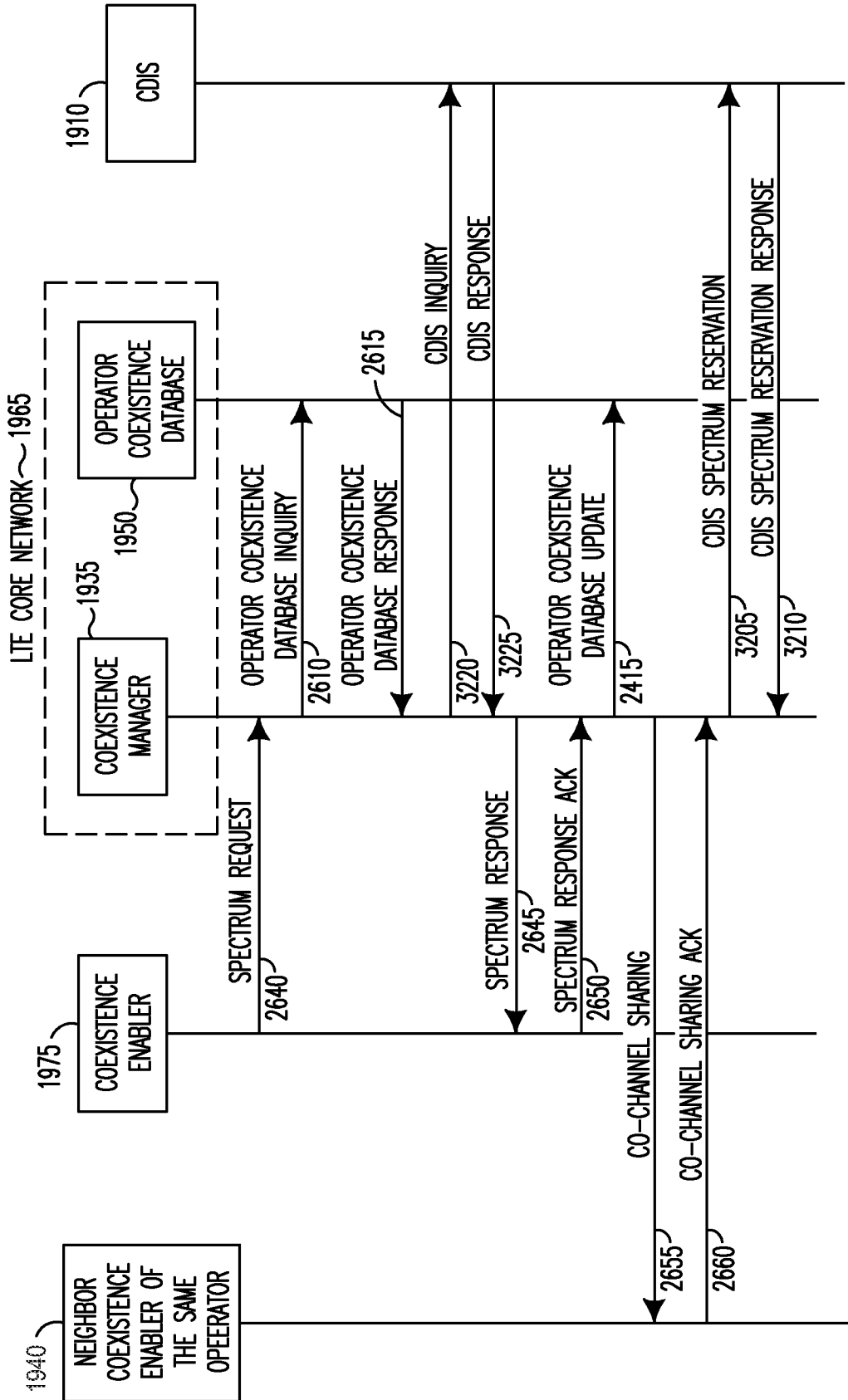


FIG. 32



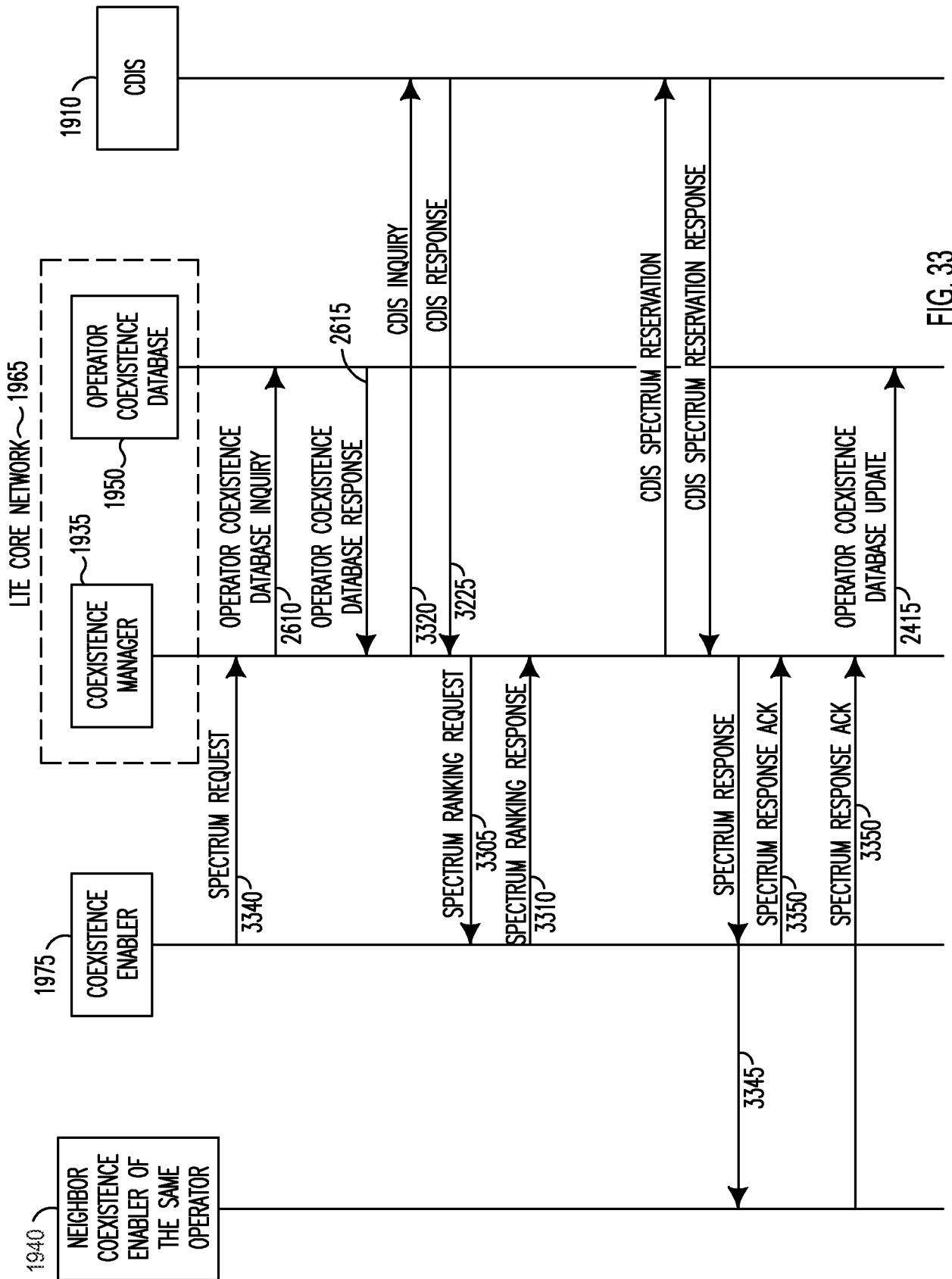


FIG. 33