

REMARKS/ARGUMENTS

After the foregoing Amendment, claims 1-10 are currently pending in this application. Claim 1 is amended. Support for amended claim 1 may be found in at least paragraph [0024] of the present application.

Claim Rejections - 35 U.S.C. § 103(a)

Claims 1, 3, 4, 9, and 10 are rejected under pre-AIA 35 U.S.C. 103(a) as allegedly being unpatentable over U.S. Patent Publication No. 2008/0074398 to Wright (hereinafter Wright) in view of U.S. Patent No. 5,844,506 to Binstead (hereinafter Binstead).

The Office Action admits that Wright fails to disclose an insulator that has a convex curved surface on a cross section along the second detection electrode pattern and in a region from an end portion to an apex of the insulator. (See Office Action, page 3). The Office Action alleges, however, that Binstead discloses that the insulator has a convex curved surface on a cross section along the second detection electrode pattern and in a region from an end portion to an apex of the insulator. The Applicants submit that it does not.

FIG. 2b of Binstead fails to teach that the insulator has a convex curved surface in a region from an end portion to an apex of the insulator. FIG. 2b of Binstead is shown below with annotations.

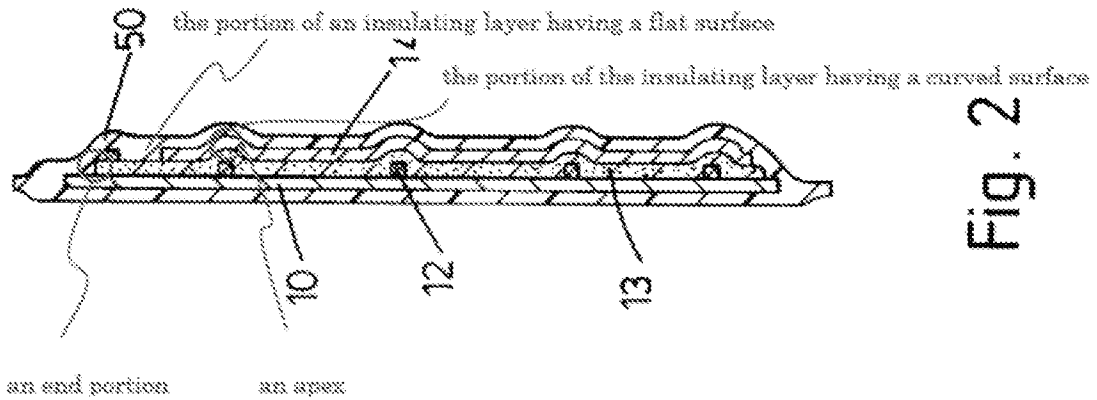
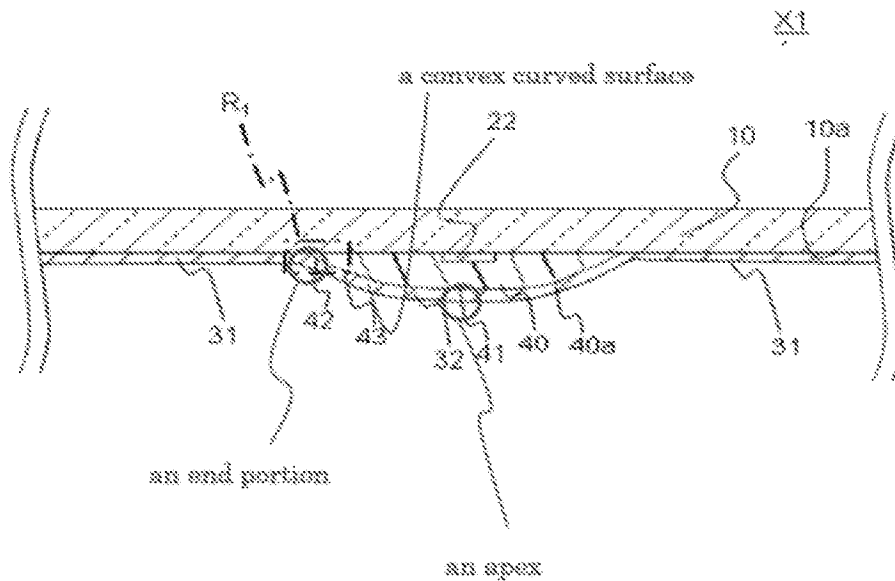


Fig. 2

As shown above, FIG. 2b of Binstead only shows “the portion of an insulating layer having a flat surface” and “the portion of the insulating layer having a curved surface” in the region from the end portion to the apex of the insulator.

On the other hand, as shown in FIG. 3(a), the insulator of amended claim 1 has a curved surface in a region from an end portion to an apex of the insulator. FIG. 3(a) of the present application is shown below with annotations.



As shown above, the insulator in FIG 3(a) has a curved surface in a region from an end portion to an apex of the insulator without having “the portion of an insulating layer having a flat surface.”

As described above, FIG. 2b of Binstead fails to disclose or suggest that the insulator has a convex curved surface in a region from an end portion to an apex of the insulator. Furthermore, claim 1 is amended to include the feature of “wherein a tilt angle of the insulator to the main surface of the substrate is set within a range of 2 to 20 degrees.” FIG. 2b of Binstead is silent with respect to the tilt angle of the insulator and that it is set within the range of 2 to 20 degrees. Accordingly, the Applicants submit that claim 1 is allowable over the cited references for at least these reasons.

Claims 3, 4, 9, and 10 are directly or indirectly dependent upon claim 1, and therefore the Applicants believe these claims are allowable over the cited references for at least the same reasons provided above.

Based on the arguments presented above, withdrawal of the 35 U.S.C. § 103(a) rejection of claims 1, 3, 4, 9, and 10 is respectfully requested.

Conclusion

If the Examiner believes that any additional minor formal matters need to be addressed in order to place this application in condition for allowance, or that a telephonic interview will help to materially advance the prosecution of this application, the Examiner is invited to contact the undersigned by telephone at the Examiner's convenience.

In view of the foregoing, Applicants respectfully submit that the present application is in condition for allowance and a notice to that effect is respectfully requested.

Respectfully submitted,

Nagata et al.

By__/Neil C. Maskeri/____
Neil C. Maskeri
Registration No. 61,591

Volpe and Koenig, P.C.
United Plaza
30 South 17th Street
Philadelphia, PA 19103-4009
Telephone: (215) 568-6400
Facsimile: (215) 568-6499

NCM/yil