



- (51) International Patent Classification:
F21K 99/00 (2010.01)
- (21) International Application Number:
PCT/EP2011/068240
- (22) International Filing Date:
19 October 2011 (19.10.2011)
- (25) Filing Language: English
- (26) Publication Language: English
- (30) Priority Data:
10188099.5 19 October 2010 (19.10.2010) EP
- (71) Applicant (for all designated States except US): **UNIVERSITY COLLEGE CORK - NATIONAL UNIVERSITY OF IRELAND, CORK** [IE/IE]; Western Road, Cork City (IE).
- (72) Inventor; and
- (75) Inventor/Applicant (for US only): **O'BRIEN, Peter** [IE/IE]; 10 The Meadows, Belgooly, Cork (IE).
- (74) Agent: **LUCEY, Michael**; PURDYLUCEY, Intellectual Property, Suite 138/139, The Capel Building, Dublin 7, Mary's Abbey (IE).
- (81) Designated States (unless otherwise indicated, for every kind of national protection available): AE, AG, AL, AM, AO, AT, AU, AZ, BA, BB, BG, BH, BR, BW, BY, BZ, CA, CH, CL, CN, CO, CR, CU, CZ, DE, DK, DM, DO, DZ, EC, EE, EG, ES, FI, GB, GD, GE, GH, GM, GT, HN, HR, HU, ID, IL, IN, IS, JP, KE, KG, KM, KN, KP, KR, KZ, LA, LC, LK, LR, LS, LT, LU, LY, MA, MD, ME, MG, MK, MN, MW, MX, MY, MZ, NA, NG, NI, NO, NZ, OM, PE, PG, PH, PL, PT, QA, RO, RS, RU, RW, SC, SD, SE, SG, SK, SL, SM, ST, SV, SY, TH, TJ, TM, TN, TR, TT, TZ, UA, UG, US, UZ, VC, VN, ZA, ZM, ZW.
- (84) Designated States (unless otherwise indicated, for every kind of regional protection available): ARIPO (BW, GH, GM, KE, LR, LS, MW, MZ, NA, RW, SD, SL, SZ, TZ, UG, ZM, ZW), Eurasian (AM, AZ, BY, KG, KZ, MD, RU, TJ, TM), European (AL, AT, BE, BG, CH, CY, CZ, DE, DK, EE, ES, FI, FR, GB, GR, HR, HU, IE, IS, IT,

[Continued on next page]

(54) Title: A LIGHT SOURCE

(57) Abstract: The invention provides a wide spectrum light source comprising a housing with an aperture, said aperture adapted to emit light; and a plurality of light emitting diode (LED) sources mounted in said housing, wherein said LED sources are arranged at different heights in said housing adapted to provide efficient wide spectrum operation of said light source.

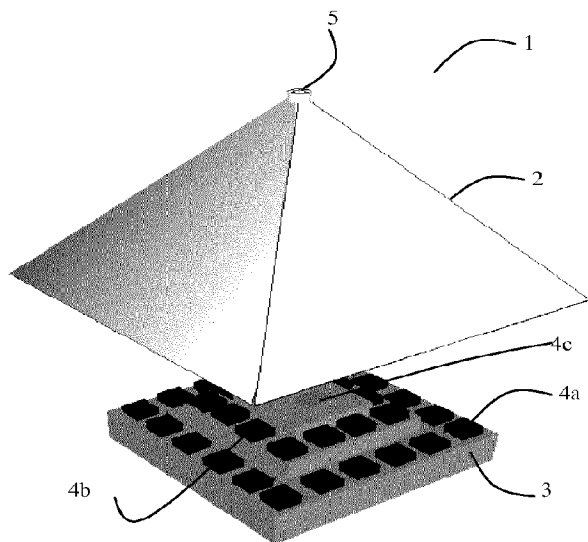


Figure 1



WO 2012/052470 A2



LT, LU, LV, MC, MK, MT, NL, NO, PL, PT, RO, RS, **Published:**
SE, SI, SK, SM, TR), OAPI (BF, BJ, CF, CG, CI, CM,
GA, GN, GQ, GW, ML, MR, NE, SN, TD, TG).

— *without international search report and to be republished
upon receipt of that report (Rule 48.2(g))*