

*Significant improvement in low band performance*

*Minimal impact to high band performance*

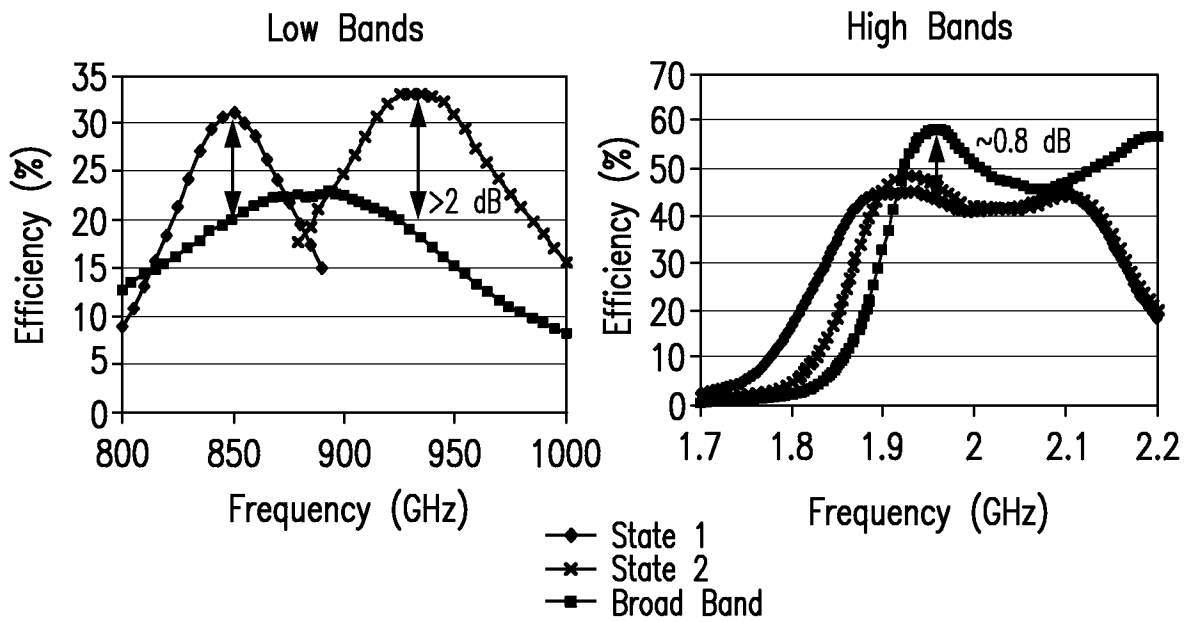


FIG. 1

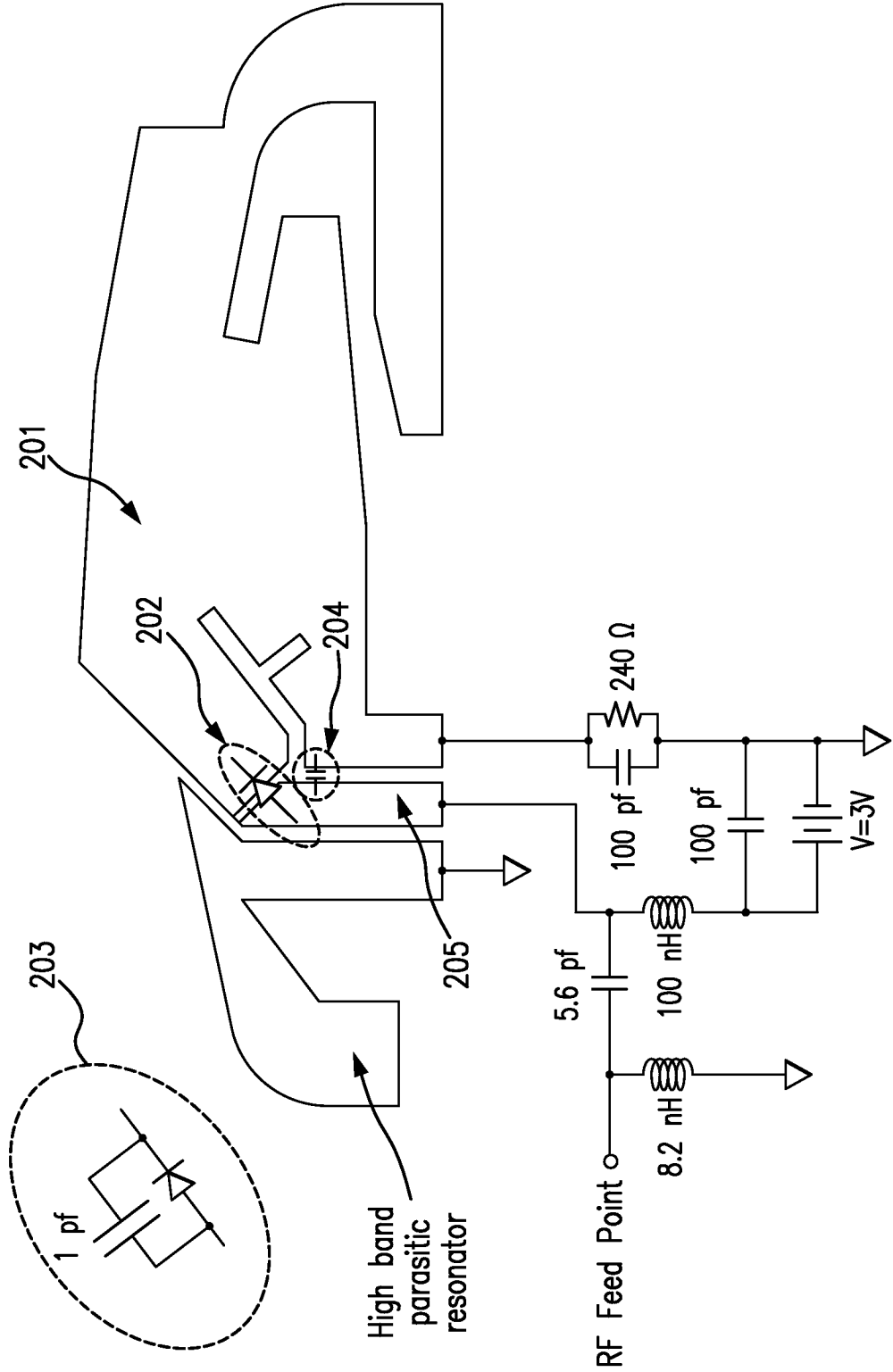


FIG. 2

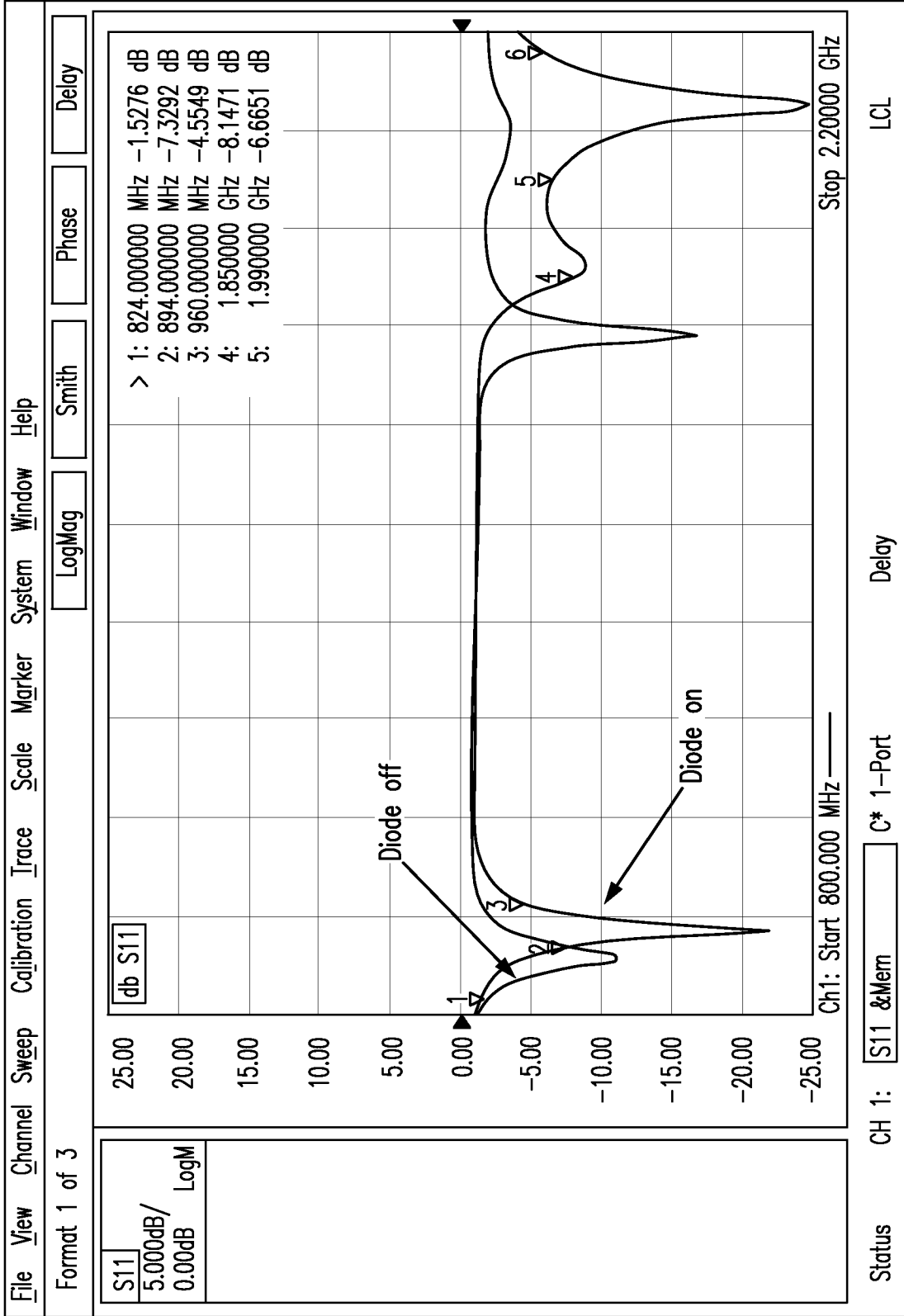


FIG. 3

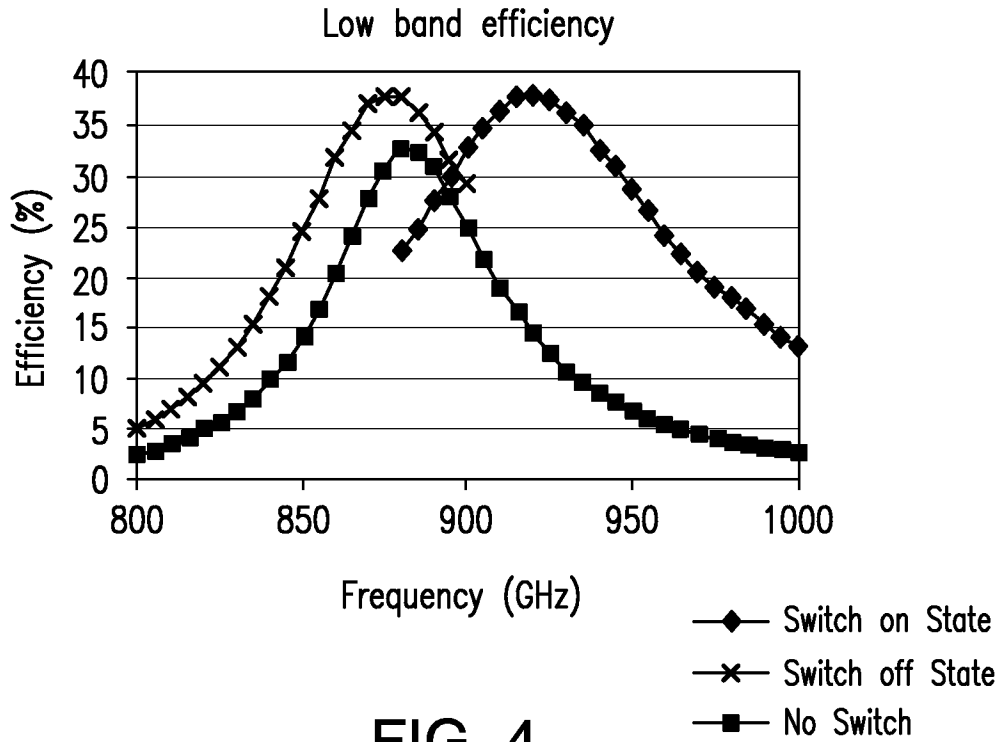


FIG. 4

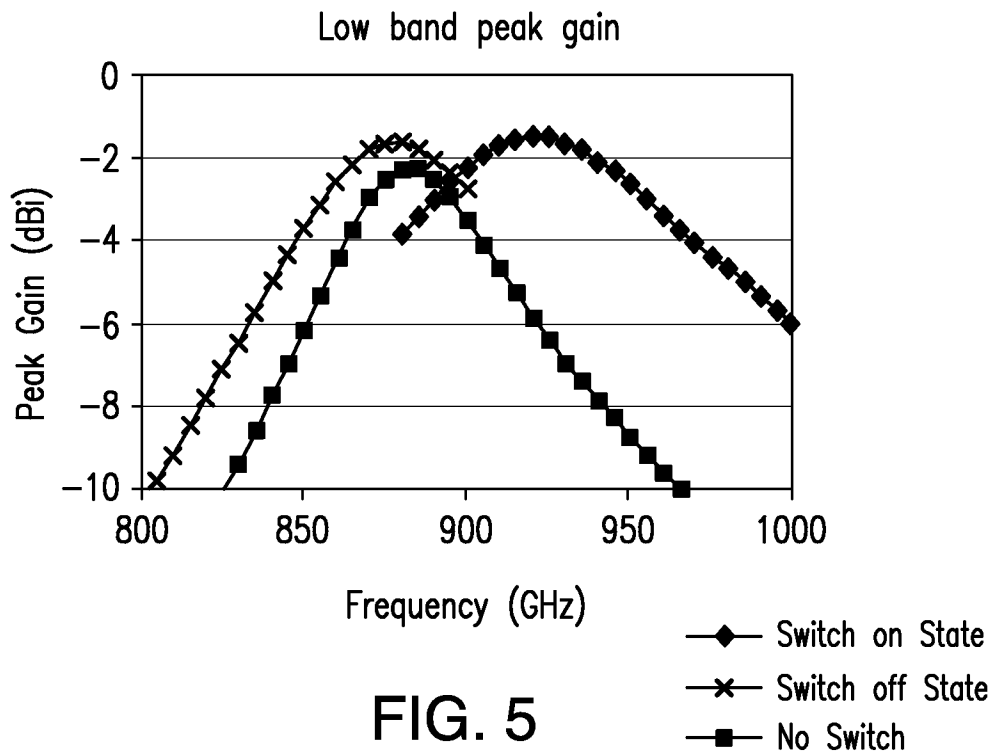


FIG. 5

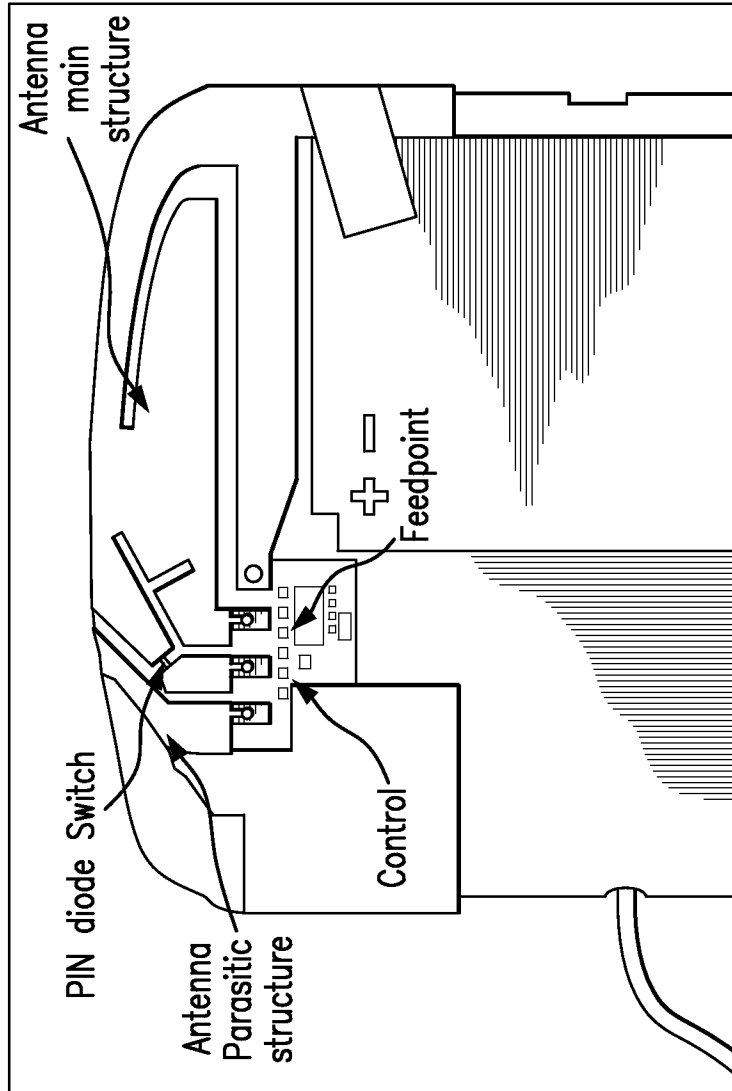


FIG. 6

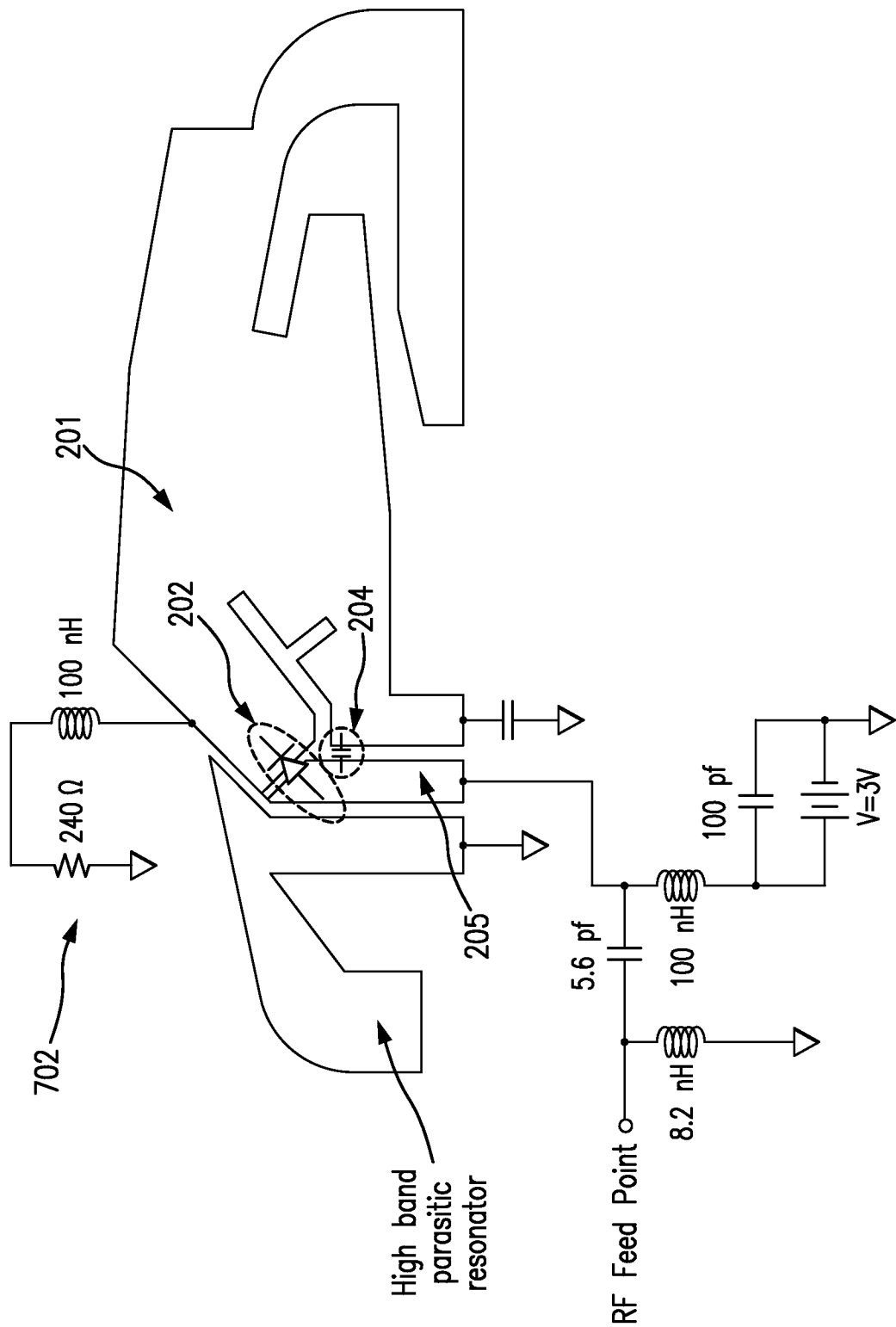


FIG. 7

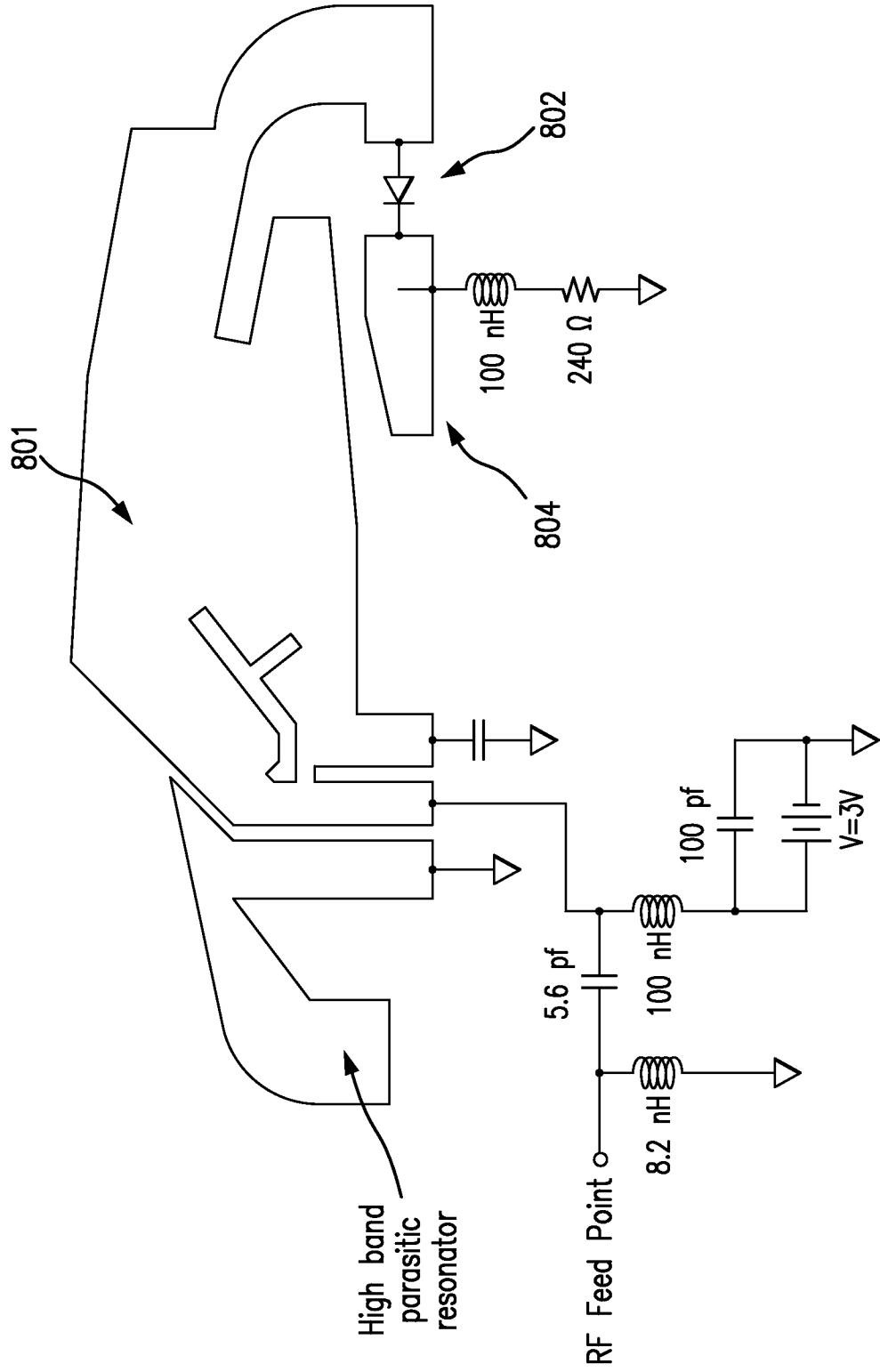


FIG. 8

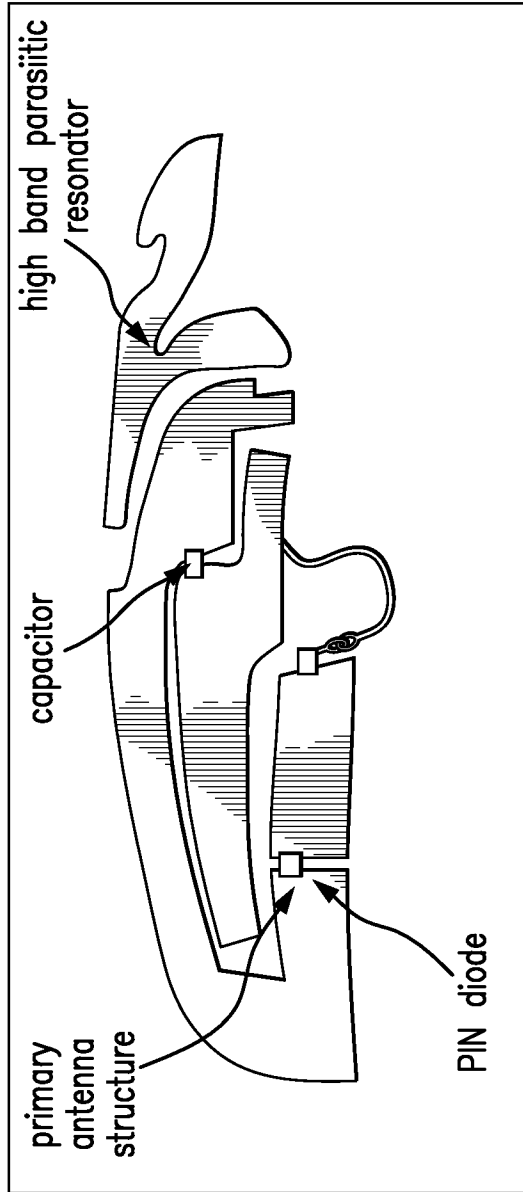


FIG. 9



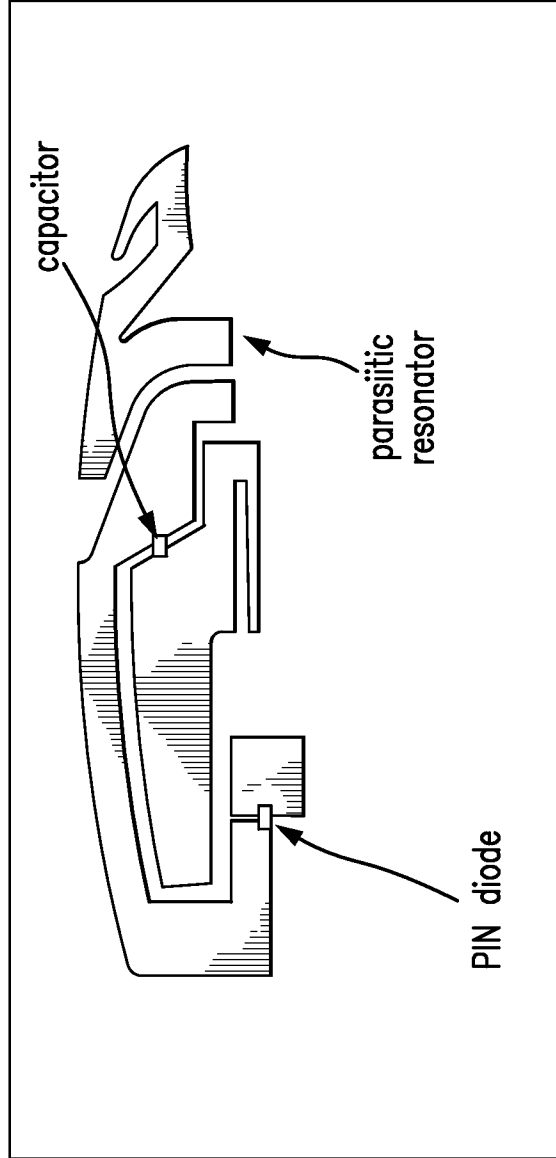


FIG. 10

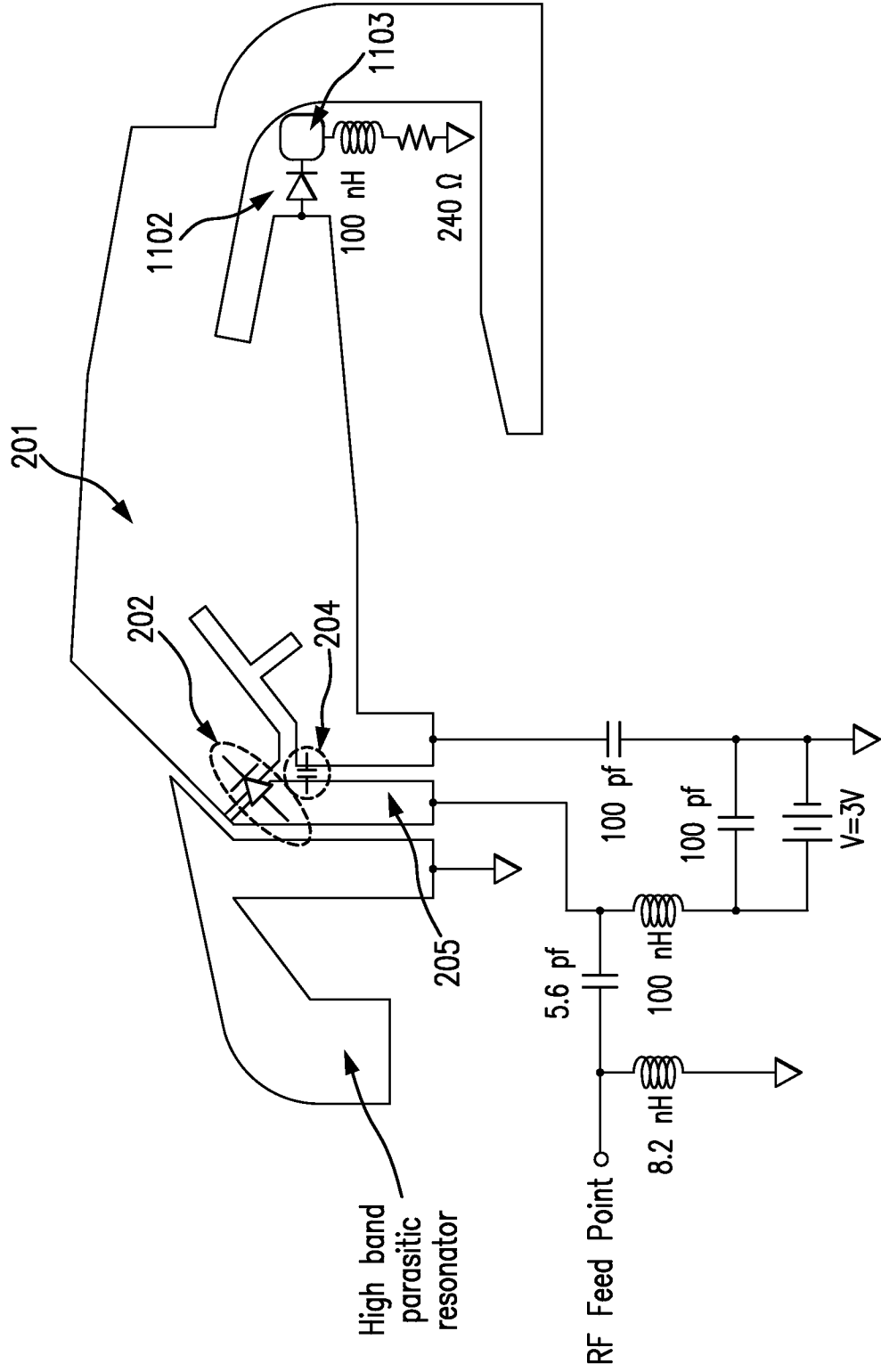
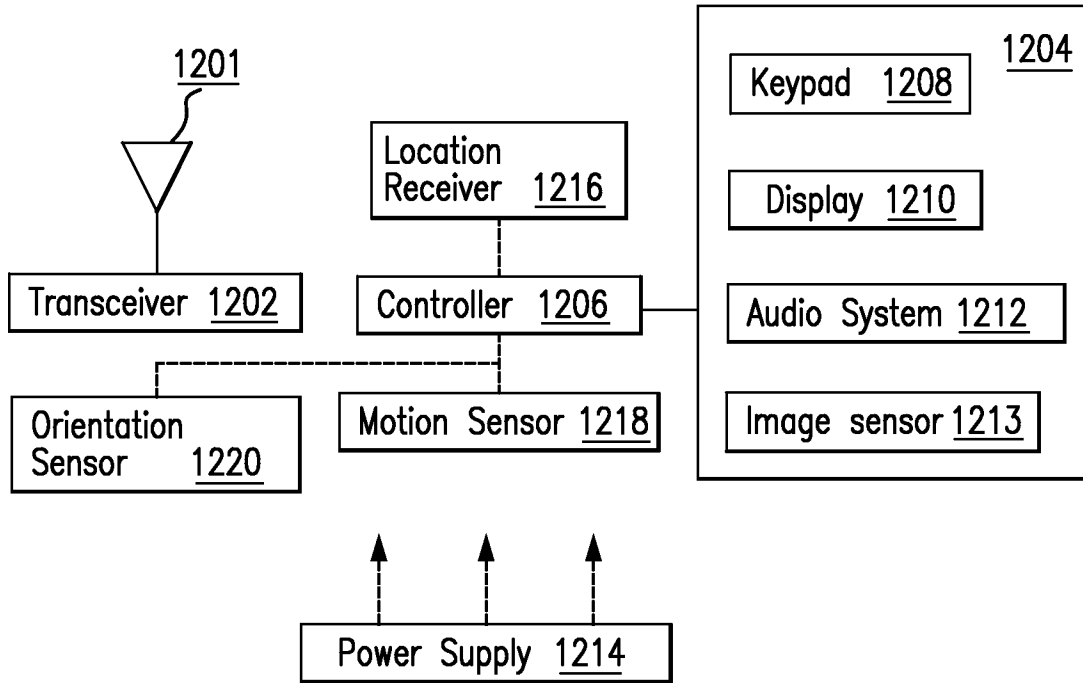


FIG. 11



1200

FIG. 12

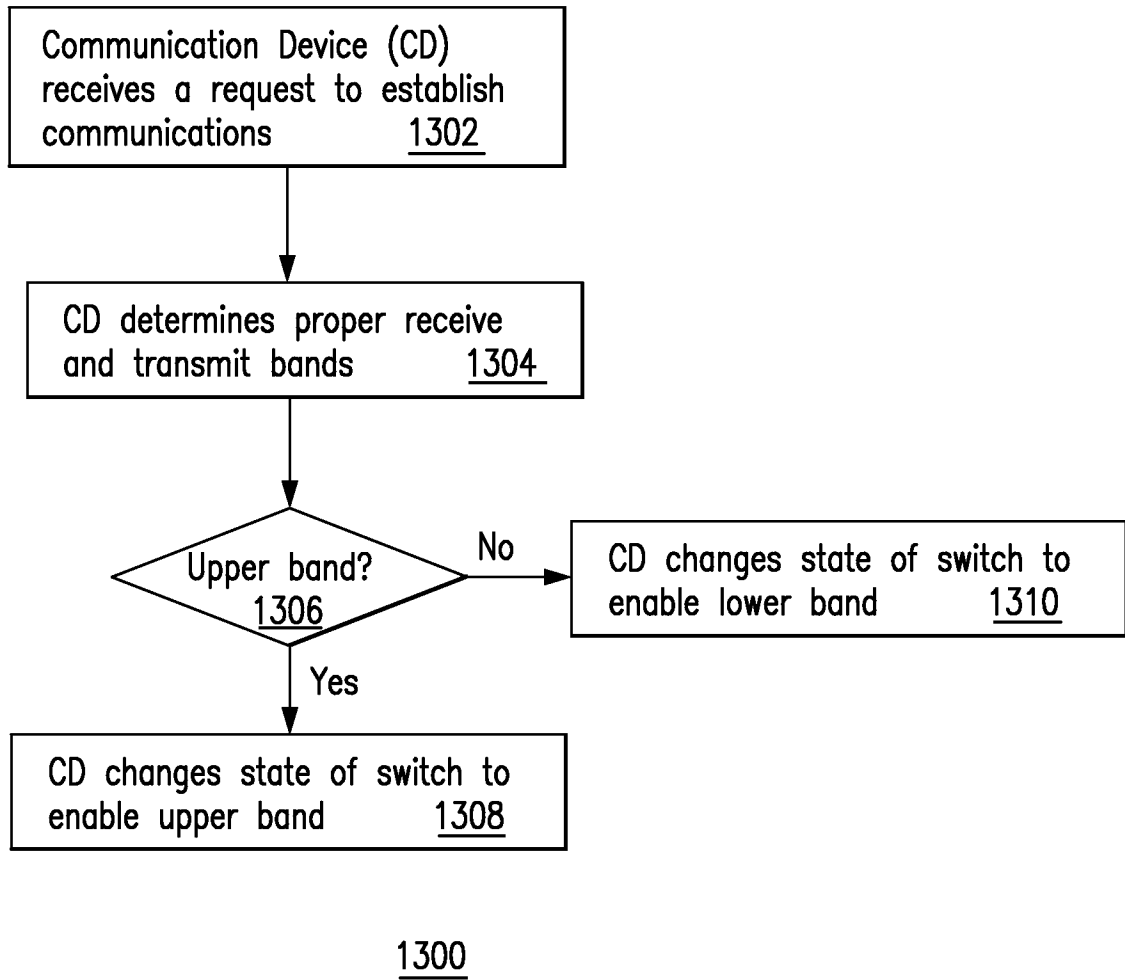


FIG. 13

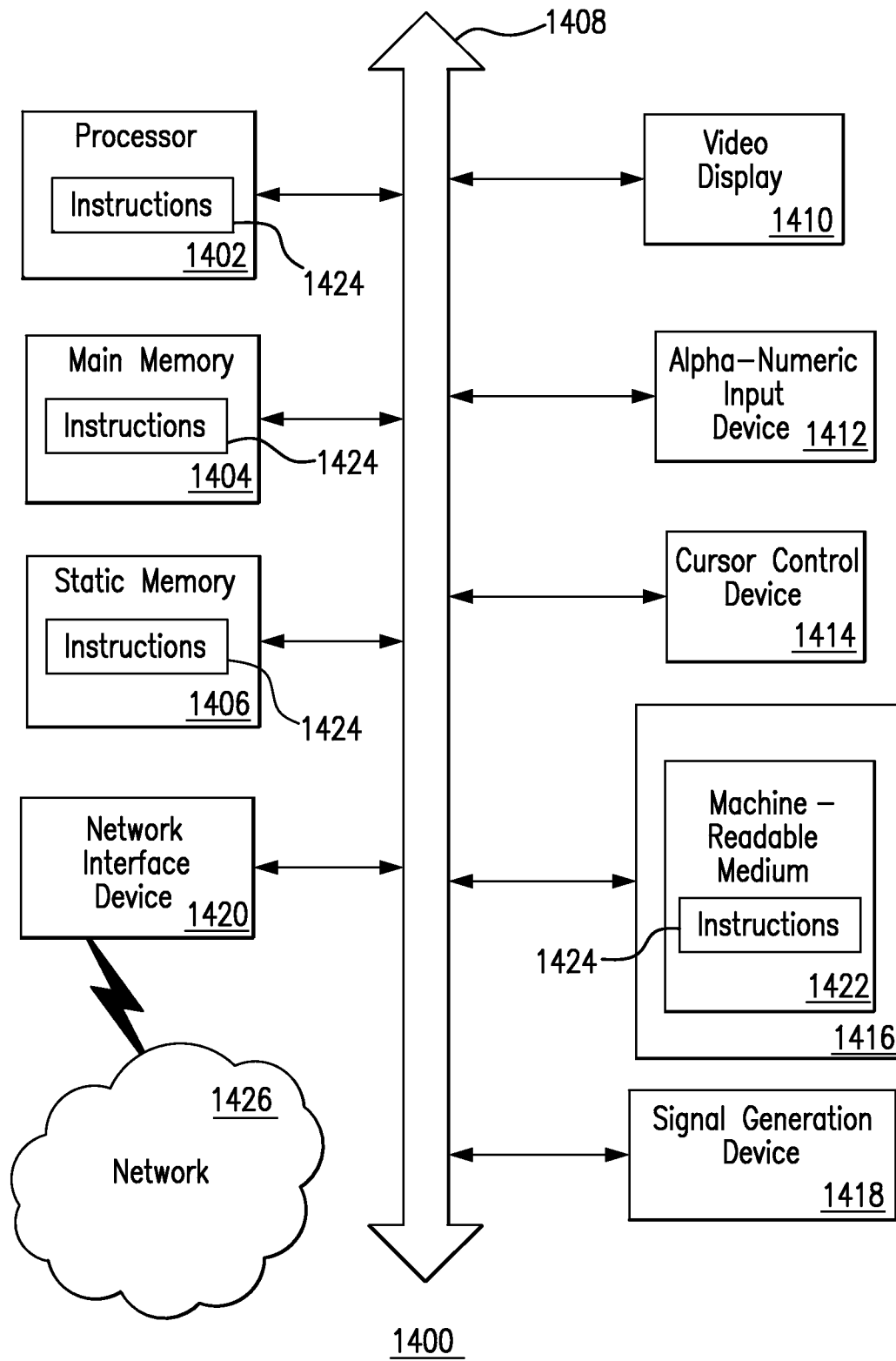


FIG. 14